

# **Commercial Vehicle Bodybuilding Catalogue**



**01706 356800**

**[www.cvr-uk.com](http://www.cvr-uk.com)**





# DRY FREIGHT KIT



## Roof

Choice of either standard Trimline, 2 1/2" radius, 3" radius or 5" radius cantrails, with fibreglass or aluminium skin.

## Front

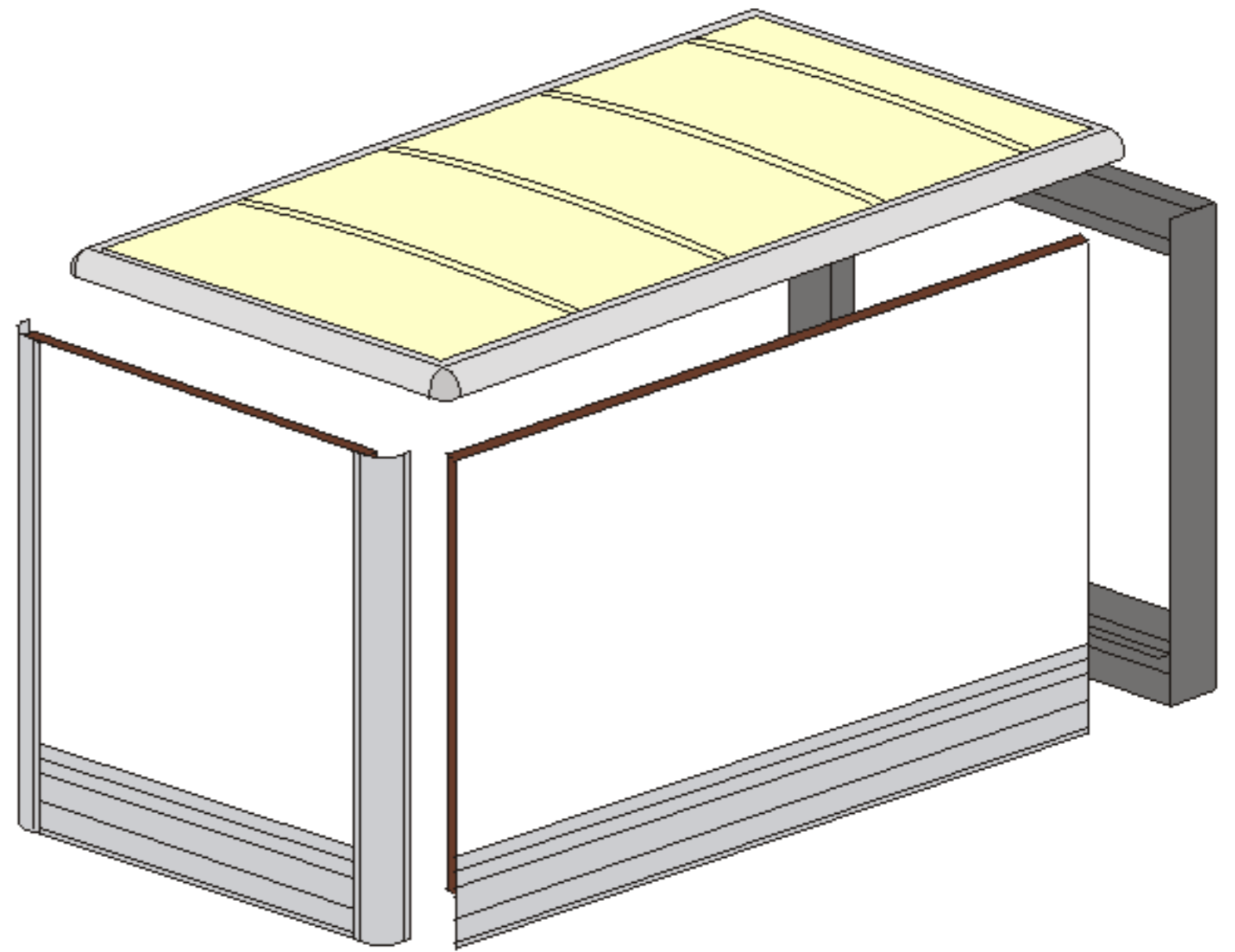
GRP dry freight composite panel in either 14mm, 17mm or 20mm, fitted with our 4" aluminium side rave /mainside, and either 1", 2 1/2", 3", or 5" radius aluminium corner pillars.\*

## Sides

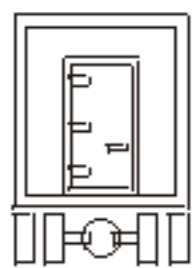
GRP dry freight composite panels in either 14mm, 17mm or 20mm, fitted with our 4" aluminium side rave /mainside.

## Rear

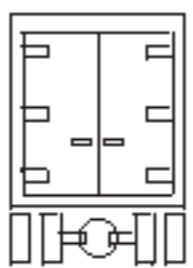
Fully welded frame in either mild steel, galvanised, zintec or stainless. Fitted with or to suit a range of rear closures (see below).



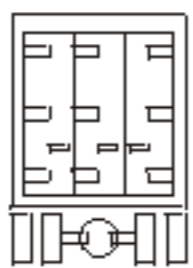
## Options



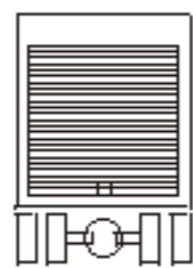
SINGLE DOOR



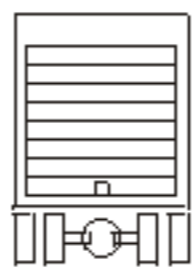
DOUBLE DOORS



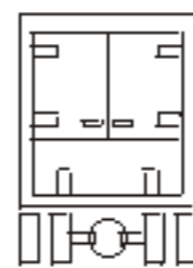
TRIPLE DOORS



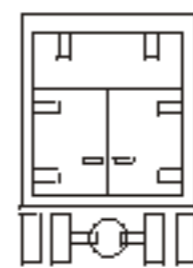
NARROW LATH SHUTTER



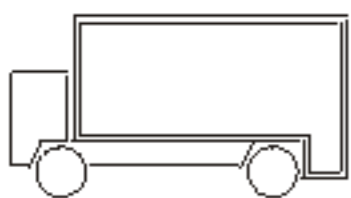
WIDE LATH SHUTTER



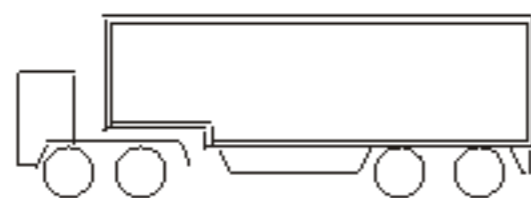
TAILBOARD



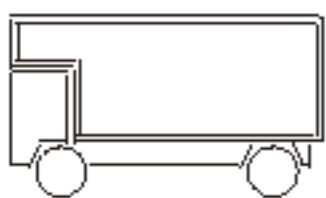
LIFT UP FLAP



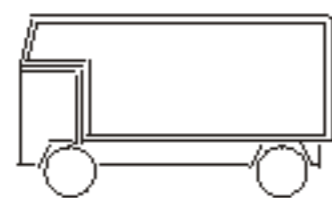
DROPWELL



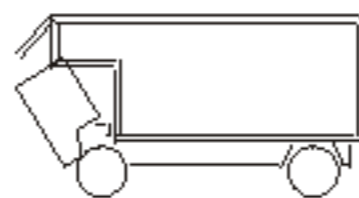
STEPFRAME



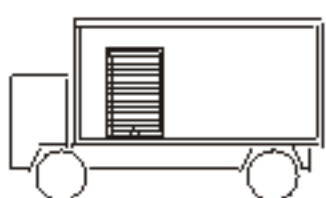
LUTON



SLOPING FRONT



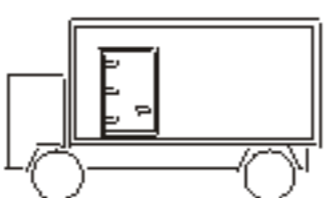
HINGED FLAP



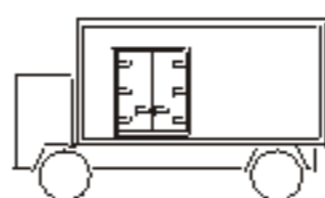
NARROW LATH SIDE SHUTTER



WIDE LATH SIDE SHUTTER



SINGLE SIDE DOOR



DOUBLE SIDE DOORS



# ALUMINIUM BOX VAN KIT



## Roof

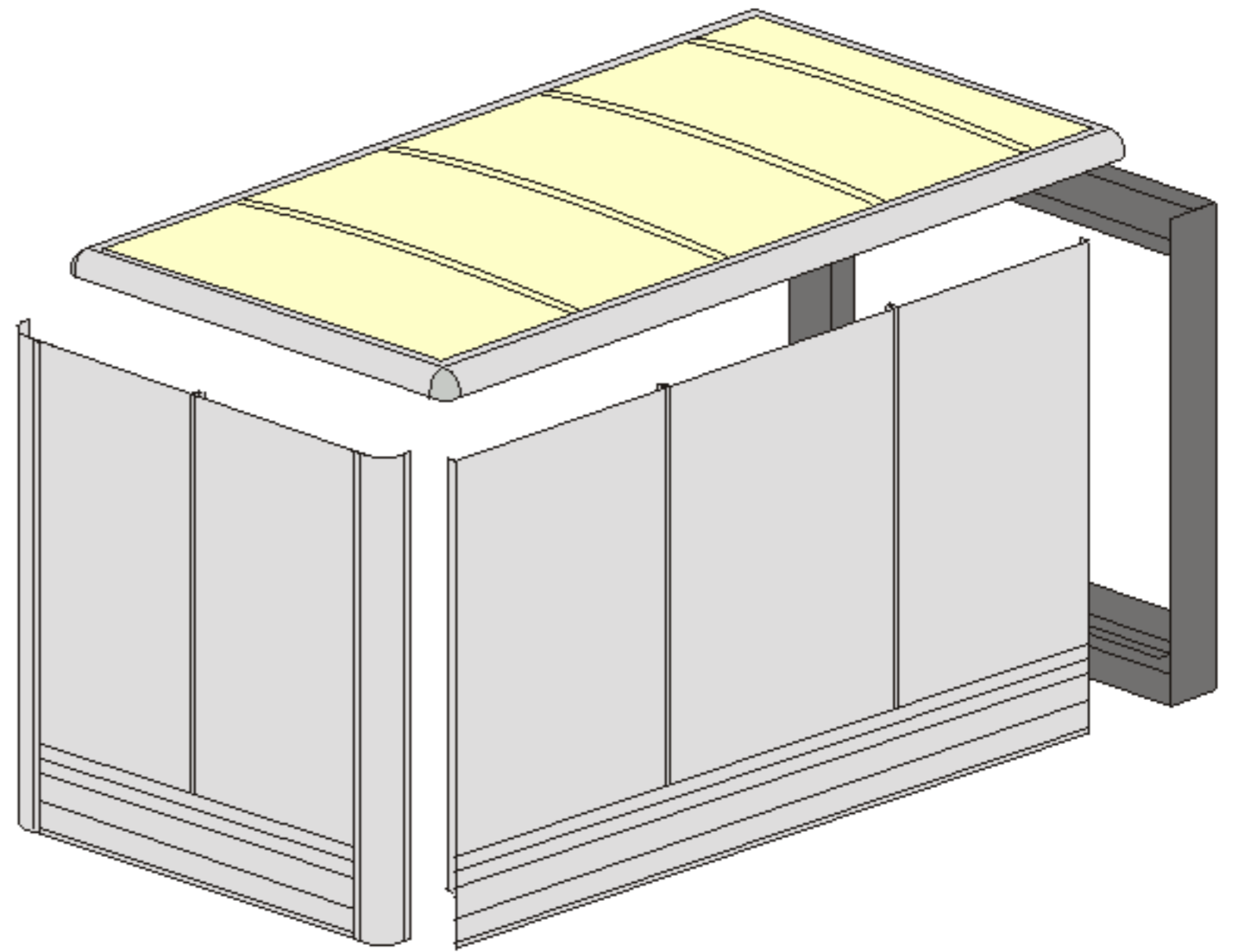
Streamlink 64mm radius cantrails, with fibreglass or aluminium skin.

## Front

1mm high tensile aluminium sheet. Extruded aluminium uprights @ 16" or 24" nominal spacing. 64mm radius aluminium extruded corner pillars. Special 2 piece extruded aluminium side rave.

## Sides

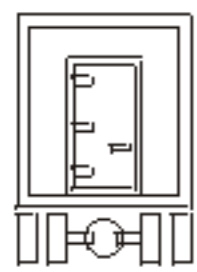
Approx. 4'-0" wide 1mm high tensile aluminium sheets connected using the patented wedge pillar system. Extruded aluminium uprights @ 16" or 24" nominal spacing. Special 2 piece extruded aluminium side rave.



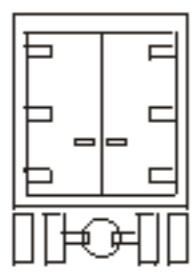
## Rear

Fully welded frame in either mild steel, galvanised, zintec or stainless. Fitted with or to suit a range of rear closures (see below).

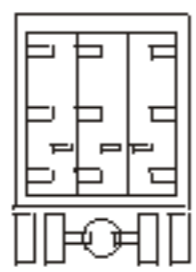
## Options



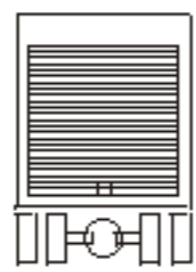
SINGLE DOOR



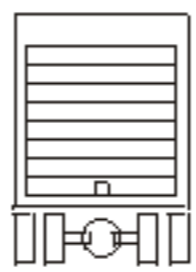
DOUBLE DOORS



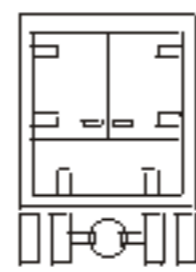
TRIPLE DOORS



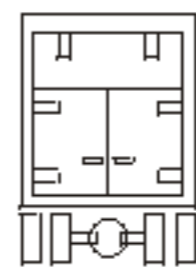
NARROW LATH SHUTTER



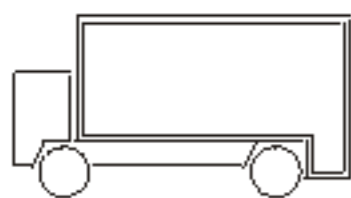
WIDE LATH SHUTTER



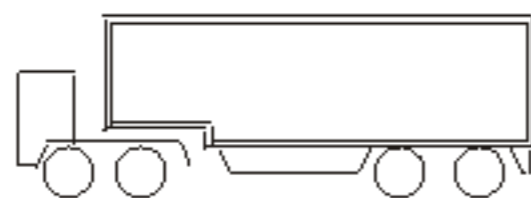
TAILBOARD



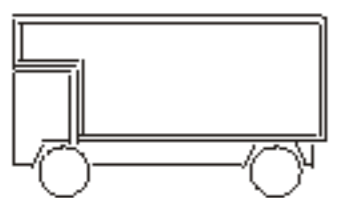
LIFT UP FLAP



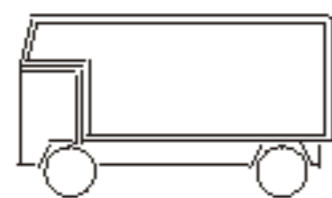
DROPWELL



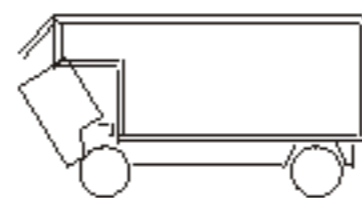
STEPFRAME



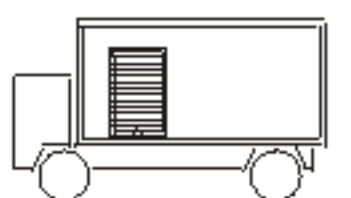
LUTON



SLOPING FRONT



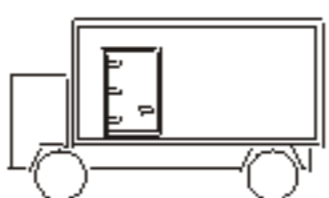
HINGED FLAP



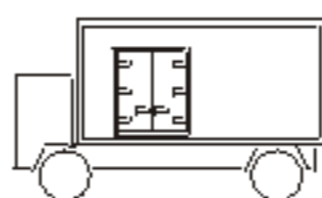
NARROW LATH SIDE SHUTTER



WIDE LATH SIDE SHUTTER



SINGLE SIDE DOOR



DOUBLE SIDE DOORS



# STEEL CURTAINSIDER KIT



## Roof

Standard curtainsider or Streamlink radius roof, with either fibreglass or aluminium skin, and PVC weather pelmet.

## Roof frame

Either CVR patented heavy duty unsupported frame (as shown), or 3" x 2" roof angles with centre 'T' support.

## Front Frame

Fully welded mild steel or galvanised frame fitted with a GRP dry freight composite panel in either 14mm, 17mm or 20mm.

Corner pillars fitted with tensioners, curtain poles and pole housings

Streamlink kit incorporates radius front pillars.

## Curtains

2 x 2 weave high gloss PVC polyester curtains, fitted with either stainless steel locking or overcentre buckles.

## Side Raves

Mild steel or galvanised 6" x 2" x 3mm plain channel.

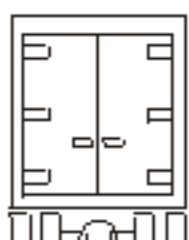
## Rear Frame

Fully welded mild steel or galvanised frame fitted with or to suit a range of rear closures (see below).

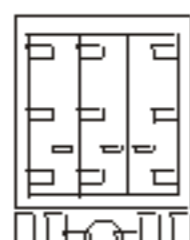
## Closures



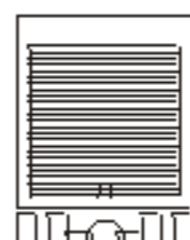
SINGLE DOOR



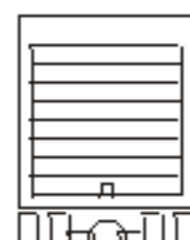
DOUBLE DOORS



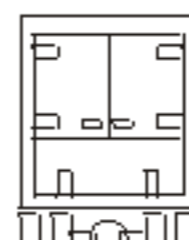
TRIPLE DOORS



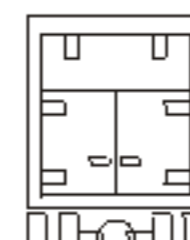
NARROW LATH SHUTTER



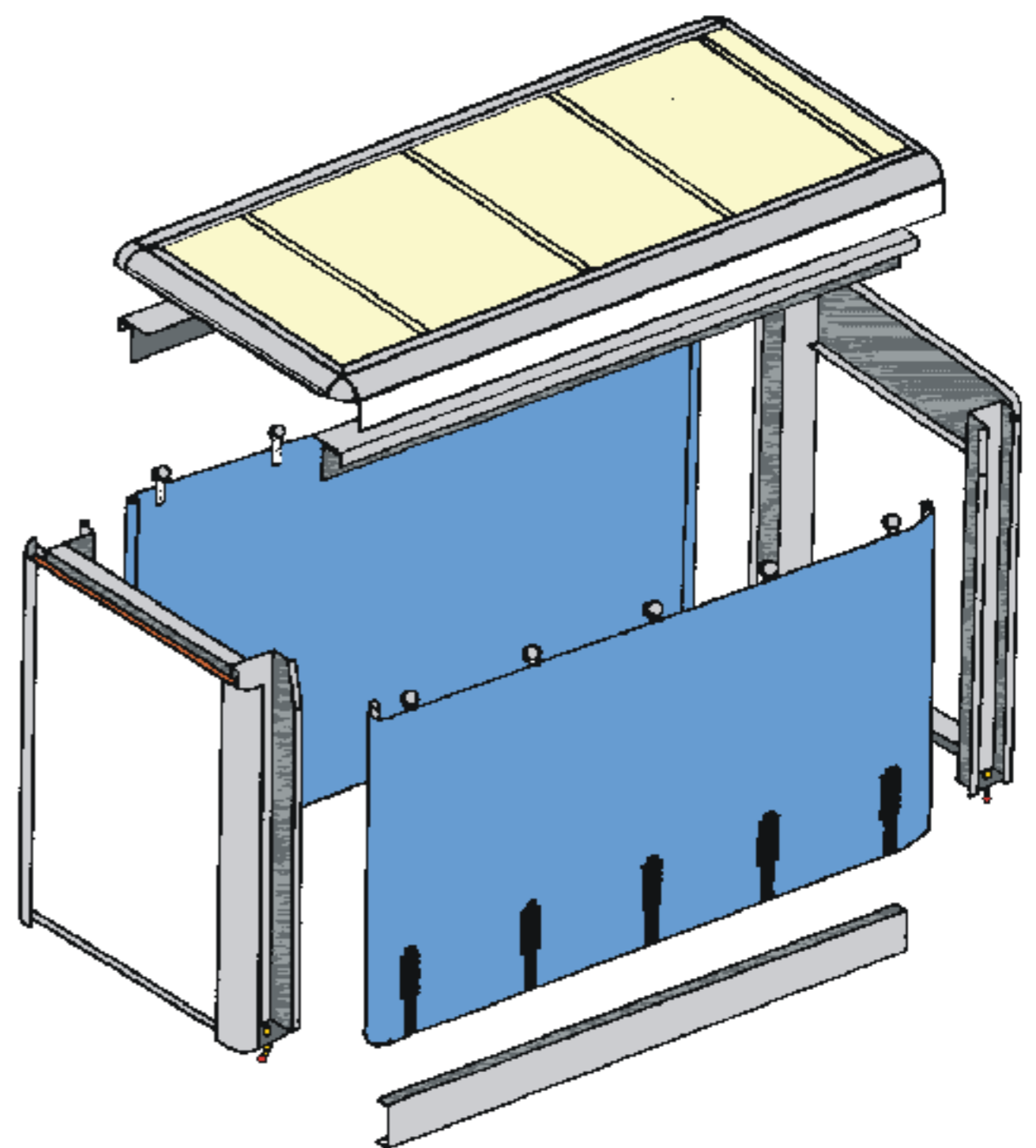
WIDE LATH SHUTTER



TAILBOARD



LIFT UP FLAP





# ALUMINIUM CURTAINSIDER KIT



## Roof

Streamlink radius roof, with either fibreglass or aluminium skin, and PVC weather pelmet.

## Roof frame

Heavy duty pre-stressed aluminium roof support channel.

## Front Frame

Fully assembled aluminium front frame, special 64mm radius pillars, 3" top rail, 4" bottom rail.

Fitted with either a 14mm or 17mm GRP bulkhead panel.

Corner pillars fitted with tensioners, curtain poles and pole housings.

## Curtains

2 x 2 weave high gloss PVC polyester curtains, fitted with either stainless steel locking or over-centre buckles.

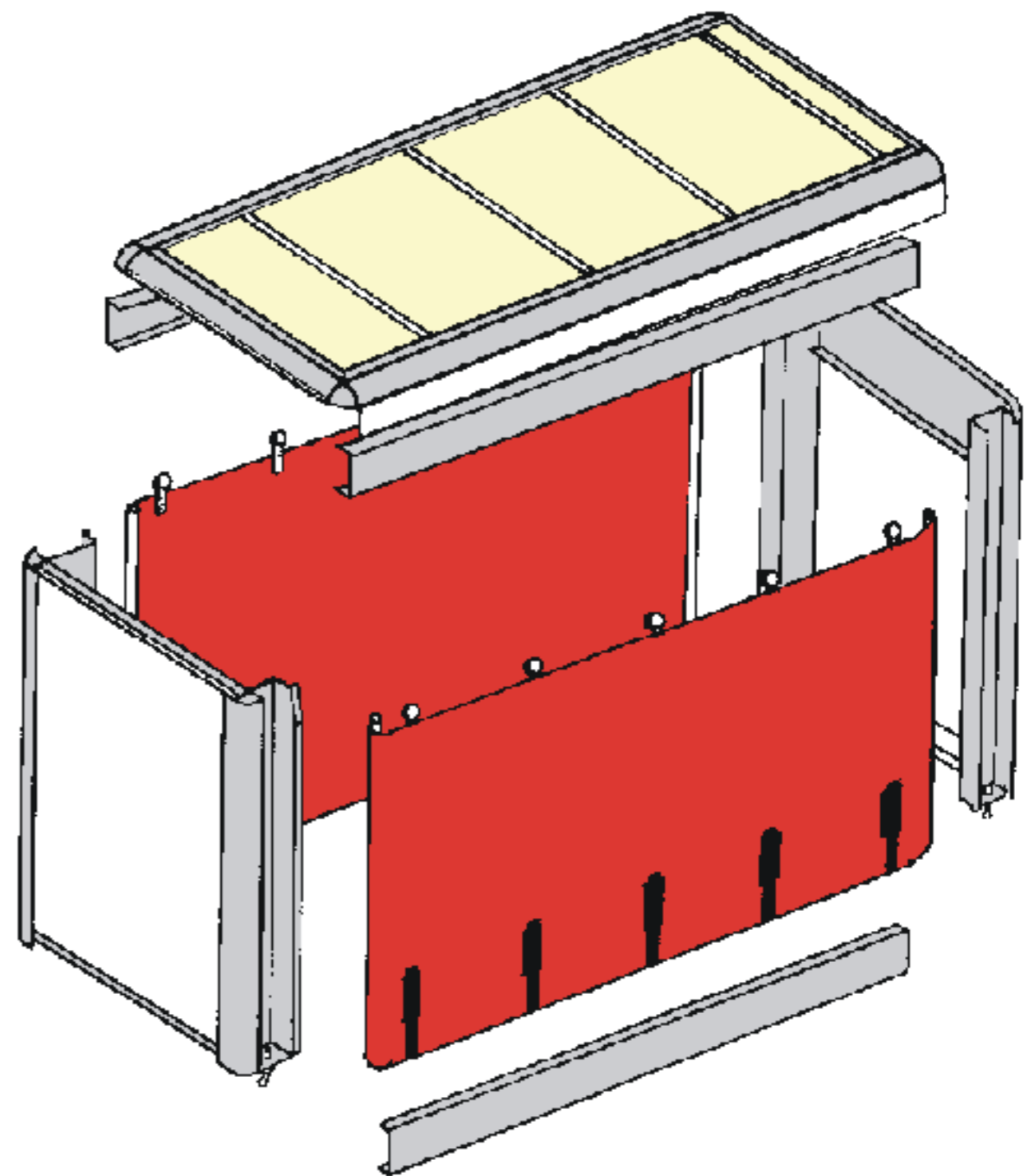
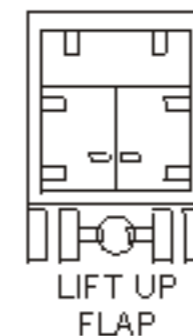
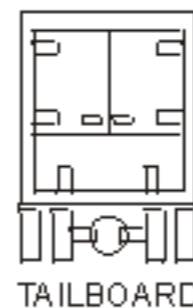
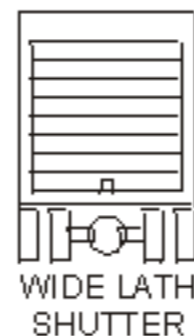
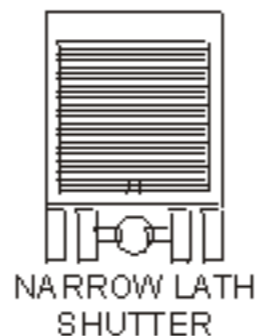
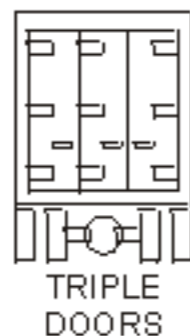
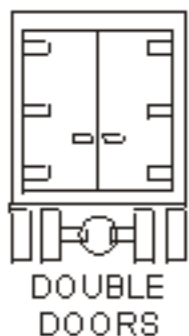
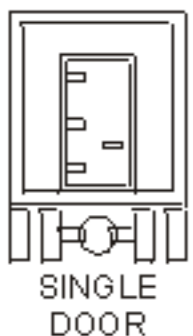
## Side Rails

Mild steel or galvanised 6" x 2" x 3mm plain channel.

## Rear Frame

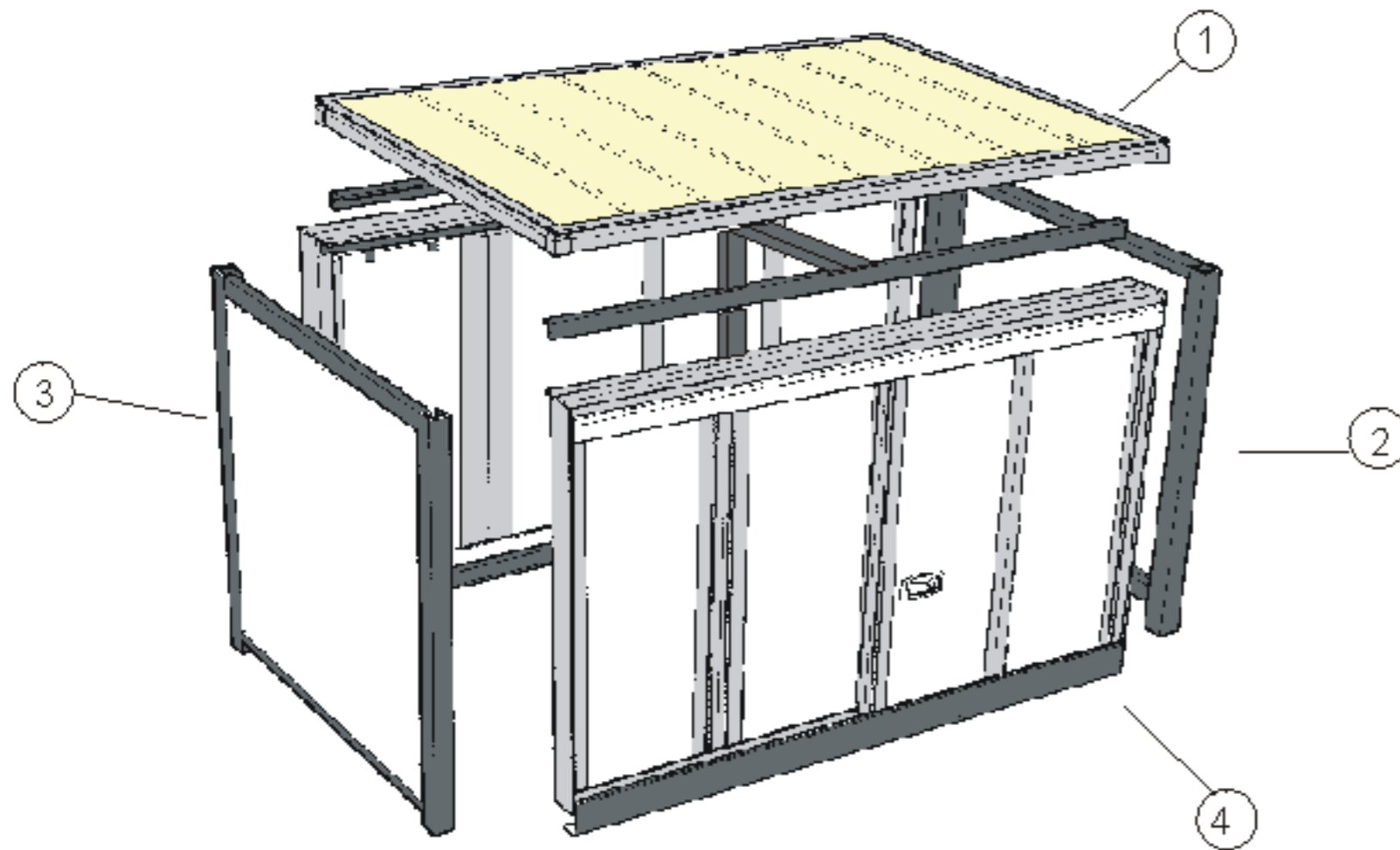
Fully assembled aluminium frame fitted with or to suit a range of rear closures (see below).

## Closures





# TOP HUNG SLIDING DOOR KIT



## 1. Trimline Roof

Glassfibre or aluminium skin.  
Mild steel roof support angles  
and 'T' supports.

## 2. Front Bulkhead

Welded mild steel construction.  
Fitted dry freight GRP Panel.

## 3. Rear Frame

Welded mild steel construction  
To suit (or fitted with)  
Aluminium roller shutter  
Double doors  
Wide lath shutter (supplied loose)  
Fitted GRP Panel (as shown)

## 4. Module Side Assembly

Fully welded side frames incorporating  
aluminium top and bottom tracks.

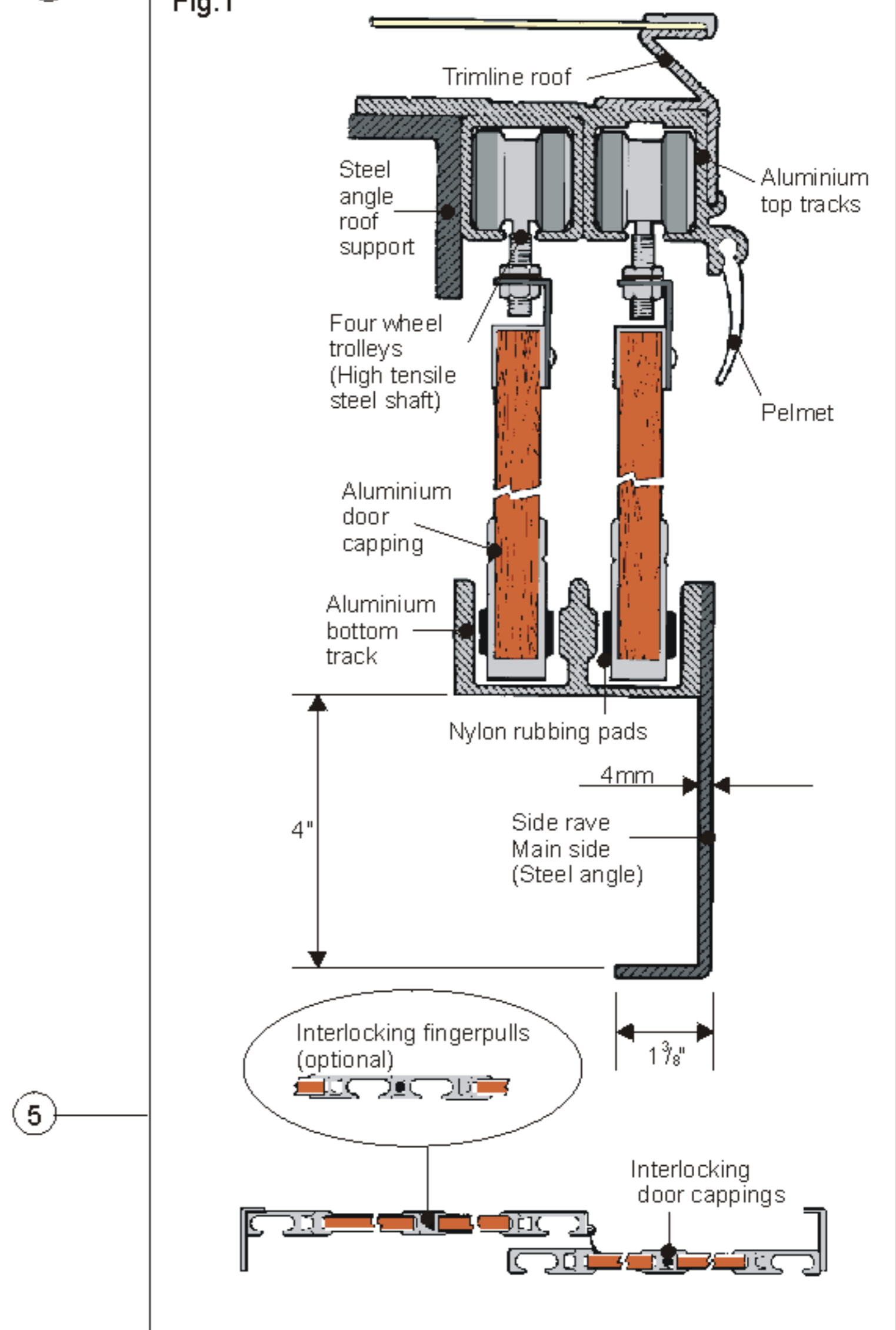
## 5. Doors

2, 3 or 4 door/side systems using  
either 14mm or 17mm Dry Freight  
GRP Panels, or alternatively 21mm  
5 element foam filled lightweight doors.  
Doors supplied fully capped with the option  
of CVR Special interlocking finger pulls.  
All doors fitted with necessary seals, nylon  
rubbing pads, four wheel trolleys and the  
specially designed CVR Sliding Door Lock.

### SAFETY NOTE:

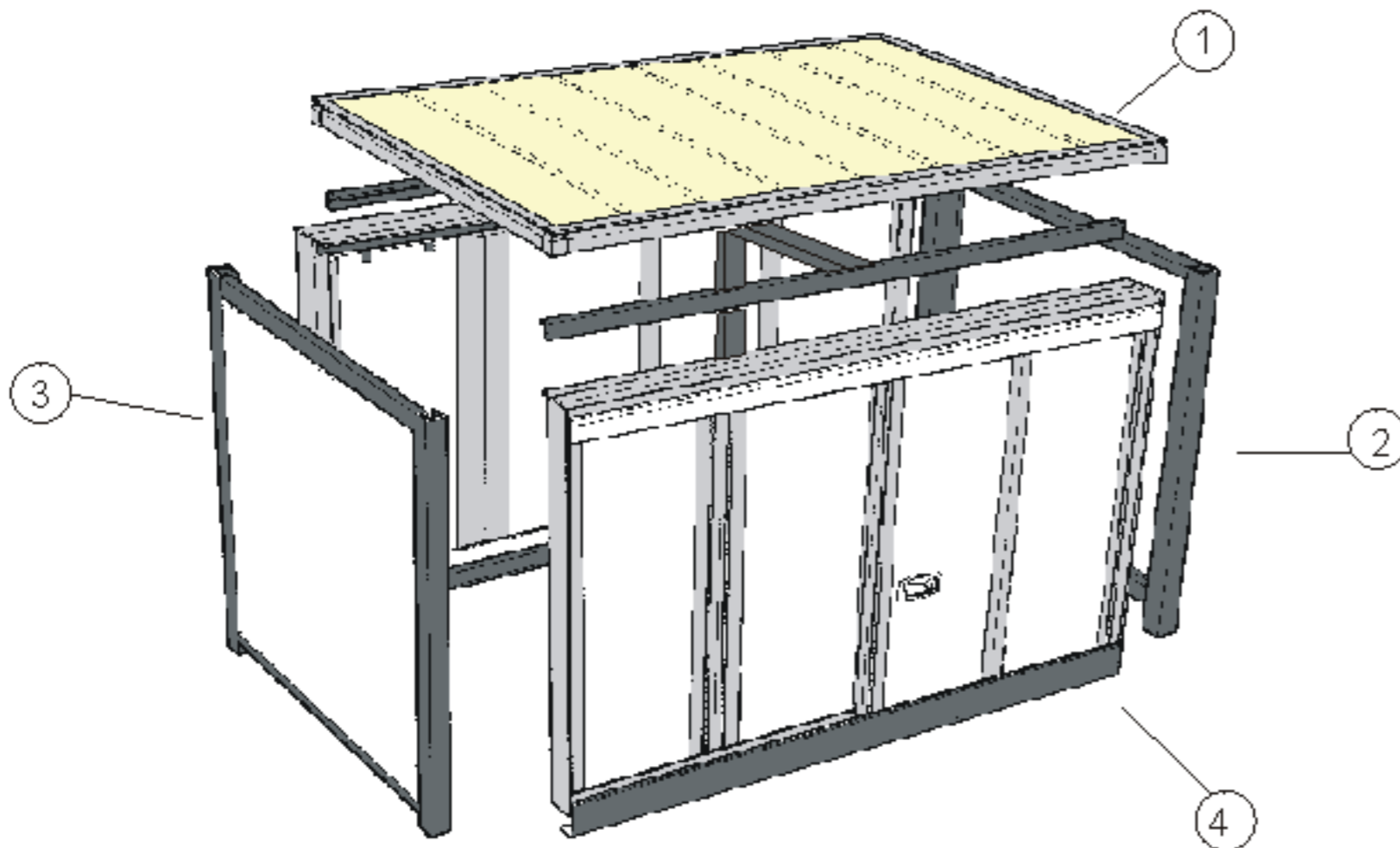
SUITABLE ROOF SUPPORTS **MUST** BE  
FITTED FOR STABILITY, AND TO  
PRESERVE ASSEMBLED DIMENSIONS.  
THE DOOR BOTTOM RUNNING CLEARANCE  
WITHIN THE TRACK **MUST** BE KEPT TO  
A MINIMUM.

Fig.1





# BOTTOM SUPPORTED SLIDING DOOR KIT



## 1. Roof

CVR SD3 section with rollers fitted.  
Glassfibre or aluminium skin.  
Mild steel roof support angles and 'T' supports.

## 2. Front Bulkhead

Welded mild steel construction.  
Fitted dry freight GRP Panel.

## 3. Rear Frame

Welded mild steel construction  
To suit (or fitted with):

- Aluminium roller shutter
- Double doors
- Wide lath shutter (supplied loose)
- Dry freight GRP panel (as shown)

## 4. Bottom Tracks

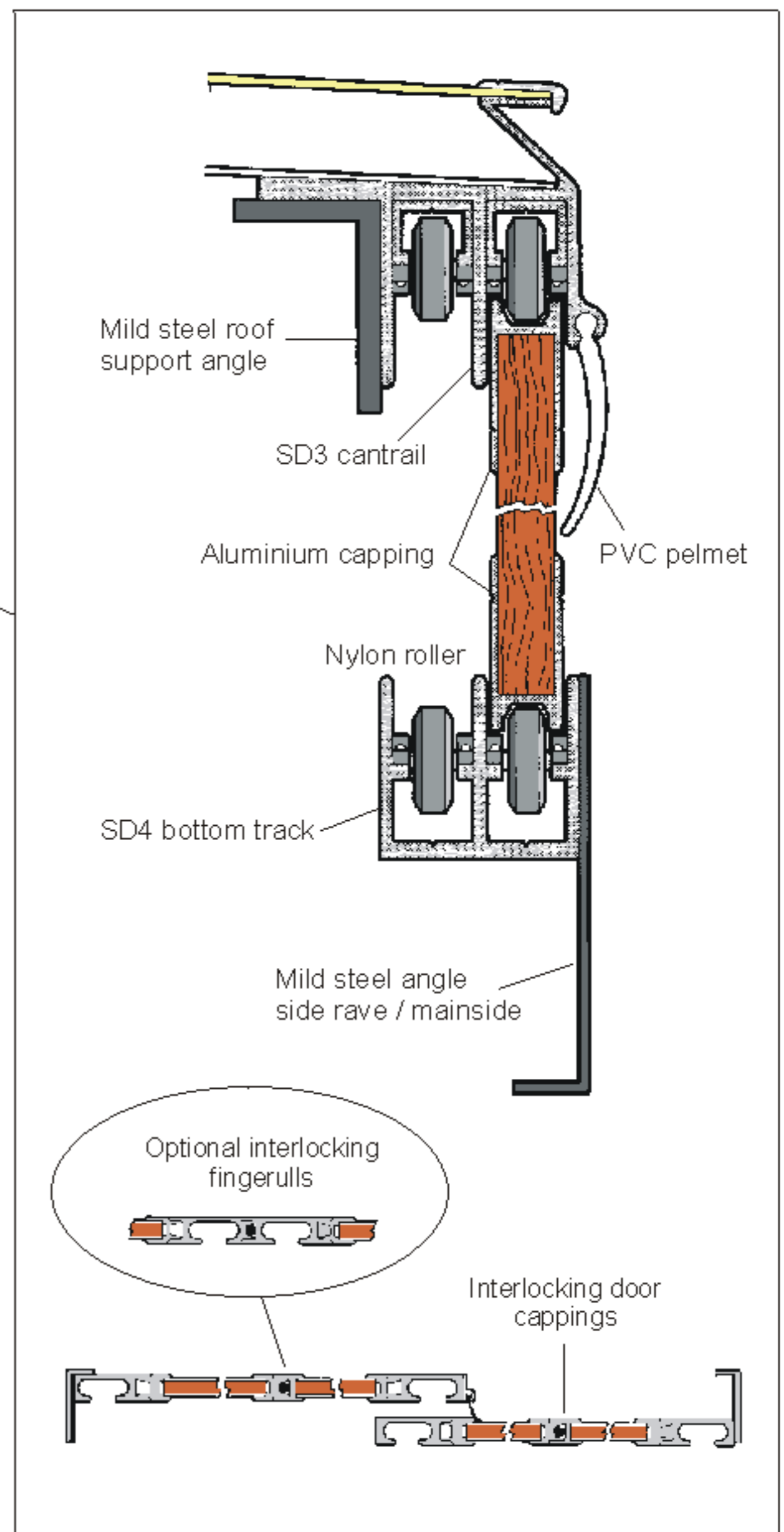
CVR SD4 section with rollers fitted.

## 5. Doors

2, 3 or 4 door/side systems using either 14mm or 17mm Dry Freight GRP Panels, or alternatively 21mm 5 element foam filled lightweight doors. Doors supplied fully capped with the option of CVR Special interlocking finger pulls. All doors fitted with necessary seals, nylon rubbing pads and the specially designed CVR Sliding Door Lock.

## SAFETY NOTE:

SUITABLE ROOF SUPPORTS **MUST** BE FITTED TO MAINTAIN THE CORRECT SIDE APERTURE FOR THE DOORS TO OPERATE SAFELY.

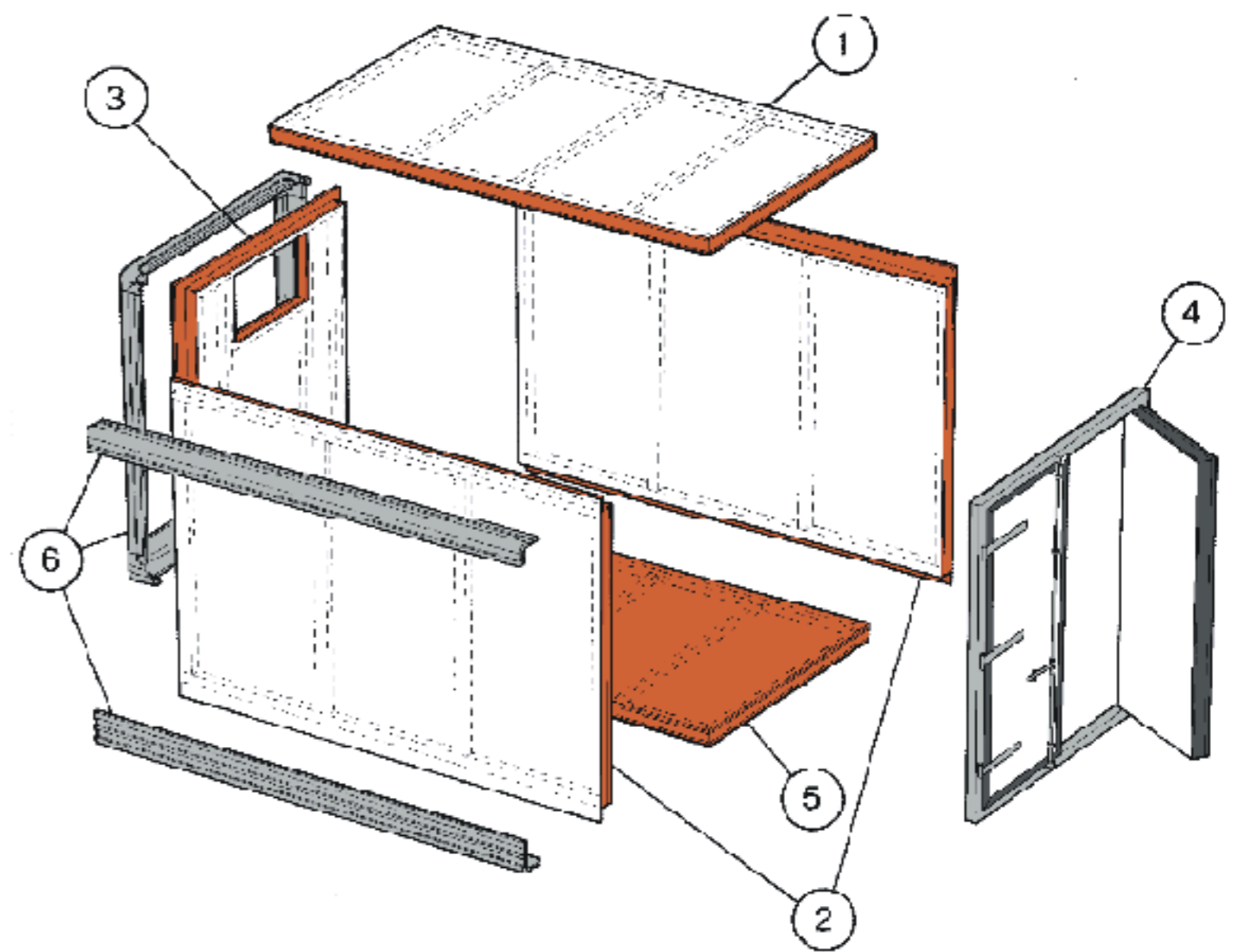




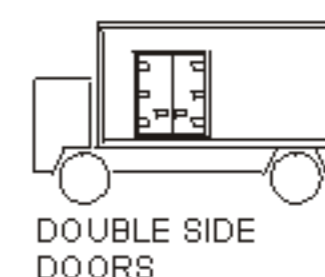
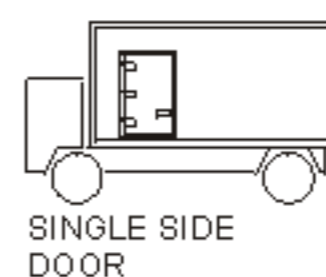
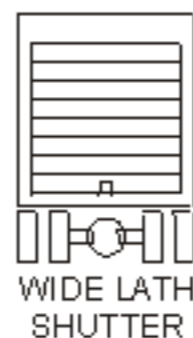
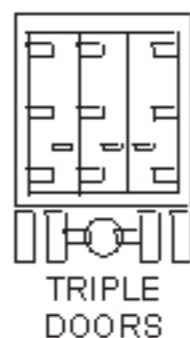
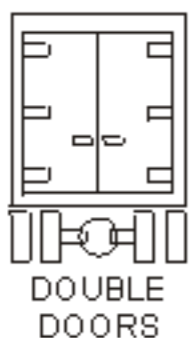
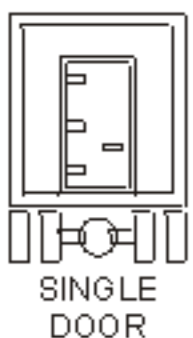
# INSULATED KIT



1. Insulated roof panel, with inbuilt timber peripheral frame.
2. Insulated side panels (rebated), with inbuilt timber peripheral frames. Available with a choice of side closures (see below).
3. Insulated front bulkhead panel (rebated), with timber peripheral frame and reinforcement for fridge unit (if required).
4. Fully welded mild steel, galvanised or stainless steel frame, fitted with a choice of rear closures (see below).
5. Insulated floor panel, with timber peripheral frame and hardwood crossbearers. Top surface available in none slip grit, aluminium treadplate or just plain plywood.
6. Radius aluminium edging extrusions.



## Options.





# REFLEX SYSTEM SLIDING CURTAIN KIT



## Roof

Streamlink radius roof, with either fibreglass or aluminium skin, and PVC weather pelmet.

## Roof frame

Heavy duty pre-stressed mild steel roof support channels.

## Front Frame

Fully assembled zintec front frame, fitted with either a 14mm or 17mm GRP bulkhead panel.

Corner pillars fitted with tensioners, curtain poles and pole housings.

## Curtains

2 x 2 weave high gloss PVC polyester curtains, fitted with either stainless steel locking or over-centre buckles.

## Side Raves

Special 3mm zintec rave assembly.

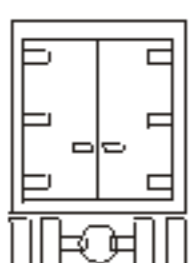
## Rear Frame

Fully assembled zintec frame fitted with or to suit a range of rear closures (see below).

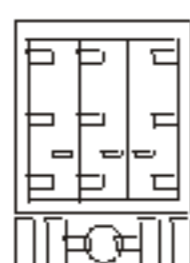
## Closures



SINGLE DOOR



DOUBLE DOORS



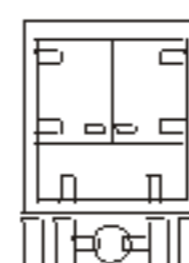
TRIPLE DOORS



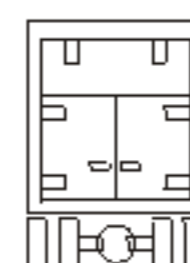
NARROW LATH SHUTTER



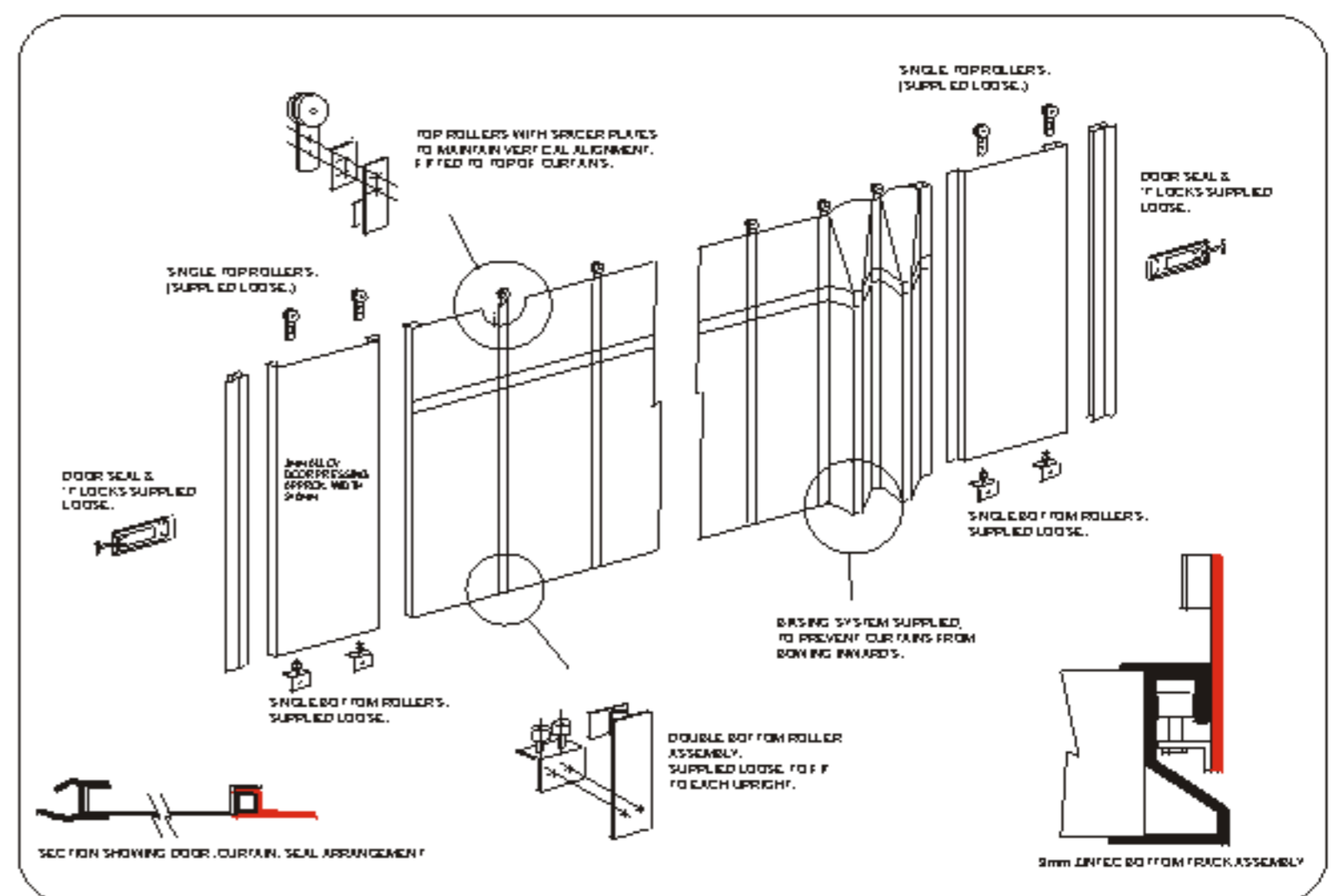
WIDE LATH SHUTTER



TAILBOARD



LIFT UP FLAP





# ALUMINIUM DROPSIDE KIT

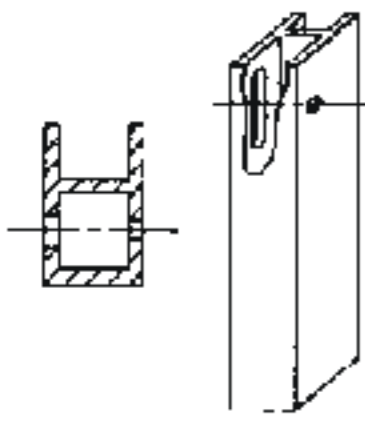


Corrugated Headboard Plank or Standard Hollow Plank on request

Boards available - 400mm with 75mm & 100mm centre boards for different heights



Alternative "PESCA" Recessed Locks



"FLUSHLOCK" End Caps

Crossbearers & Centreline as required 76mm & 100mm Deep

Detachable Centre Pillars

Fixed Steel Pillar for Tipper Applications

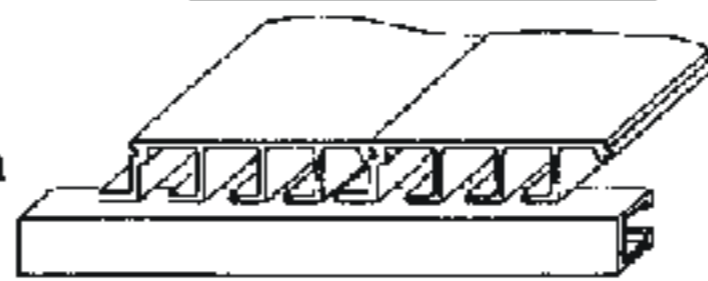
Tipper Tailboard available with Forkets & Lugs for Top & Bottom swung door

Detachable Rear Pillars for Dropside Application

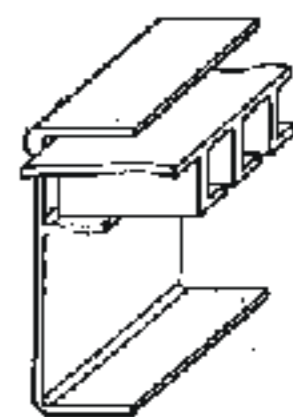
## Floor Options

- Mesh Pattern Phenol coated Plywood - 12, 15mm or 18mm
- Edge Grain Laminate wood - 22mm
- Alloy Plank Crossboarded or Longitudinal

## Alternative Floor Design



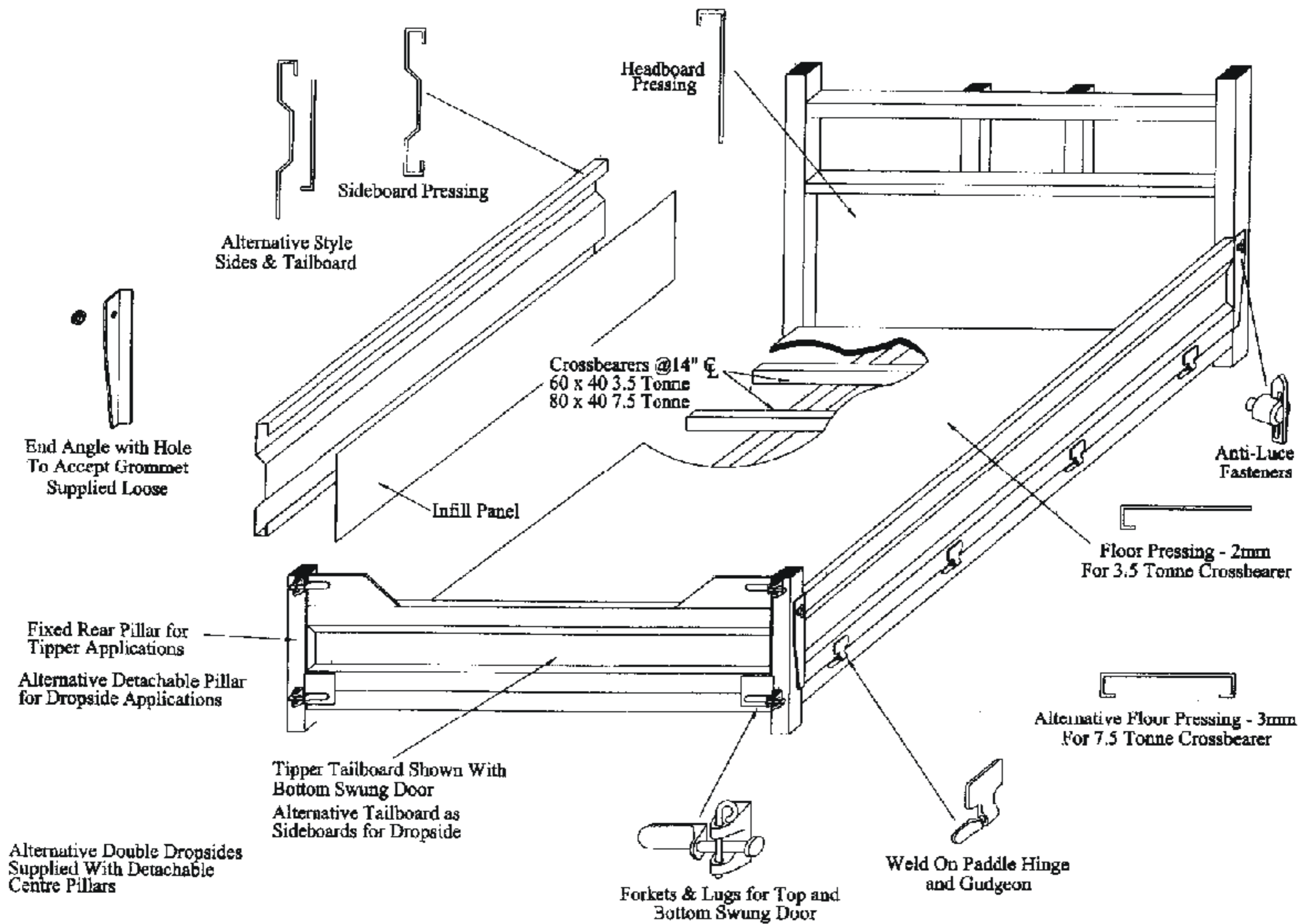
Crossboard Alloy Plank direct on to Tipper Frame or direct on to Runner on Dropside



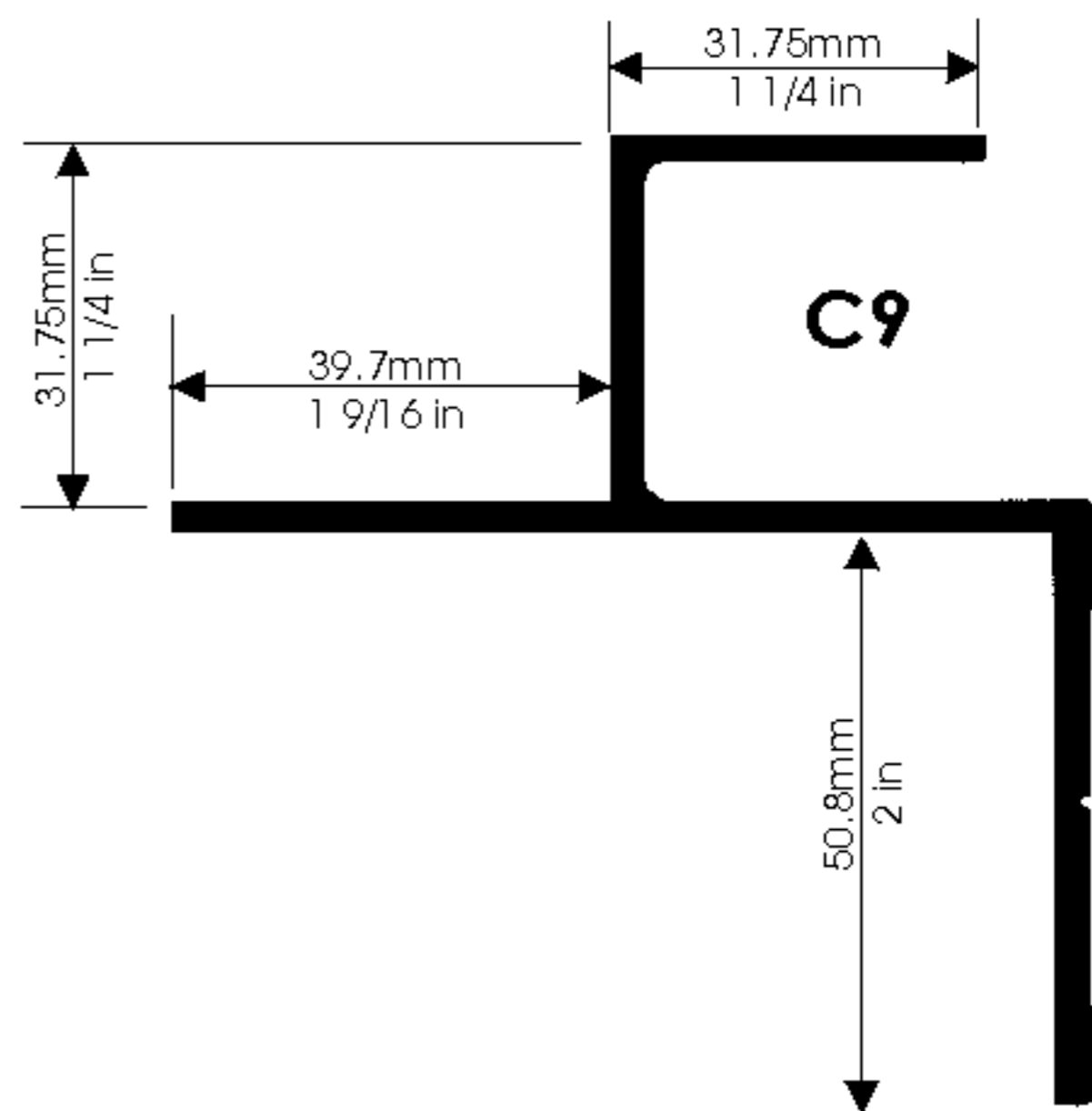
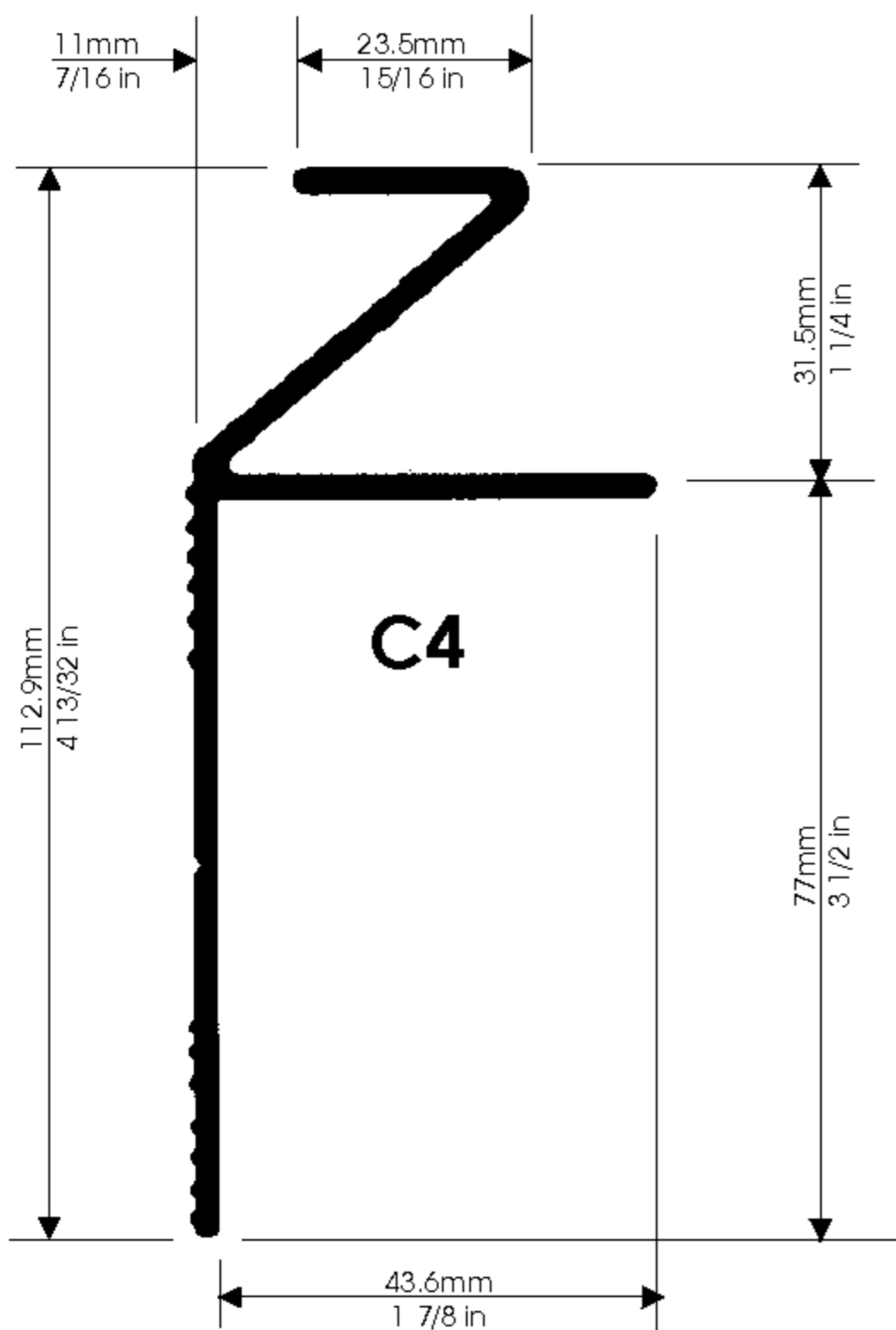
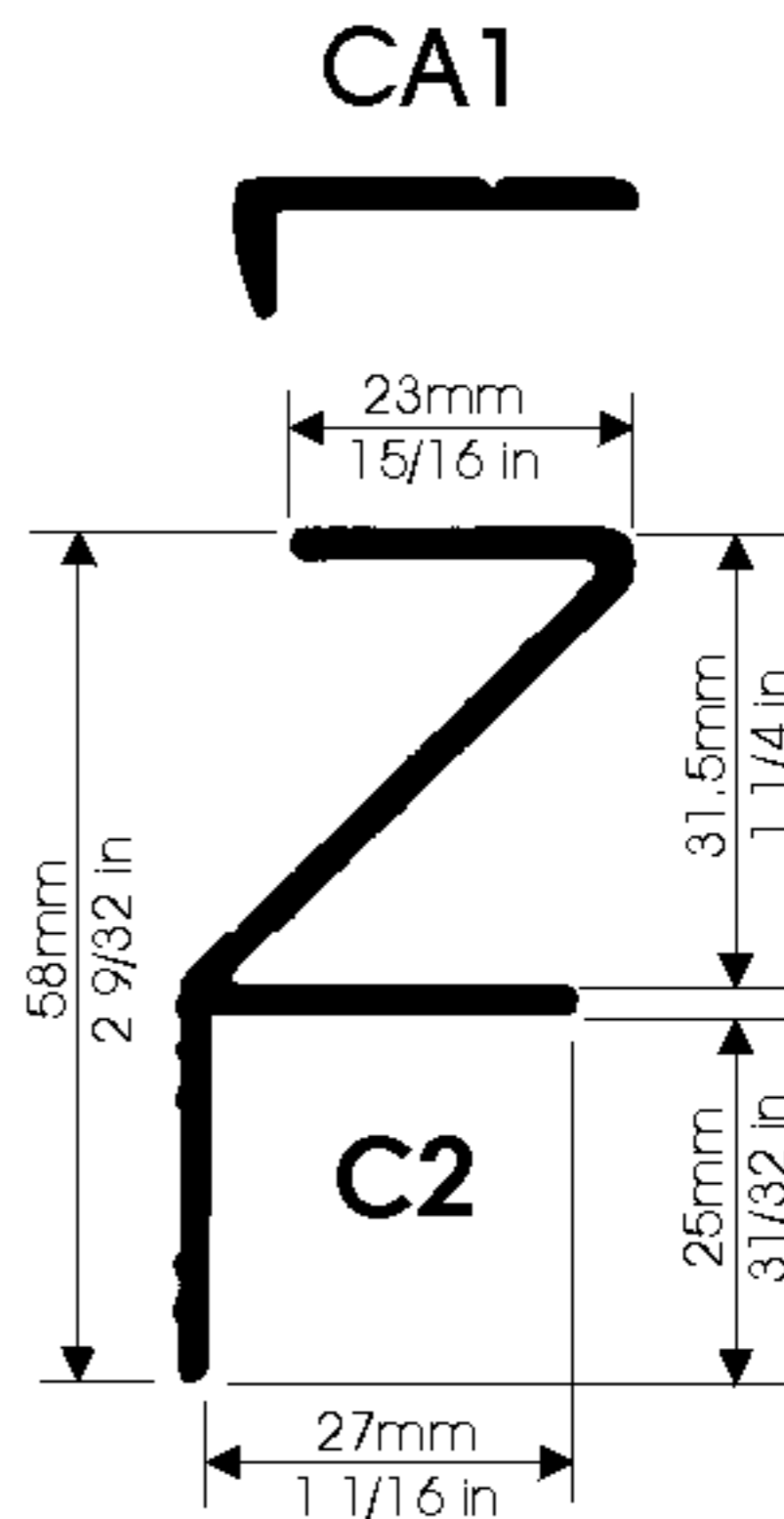
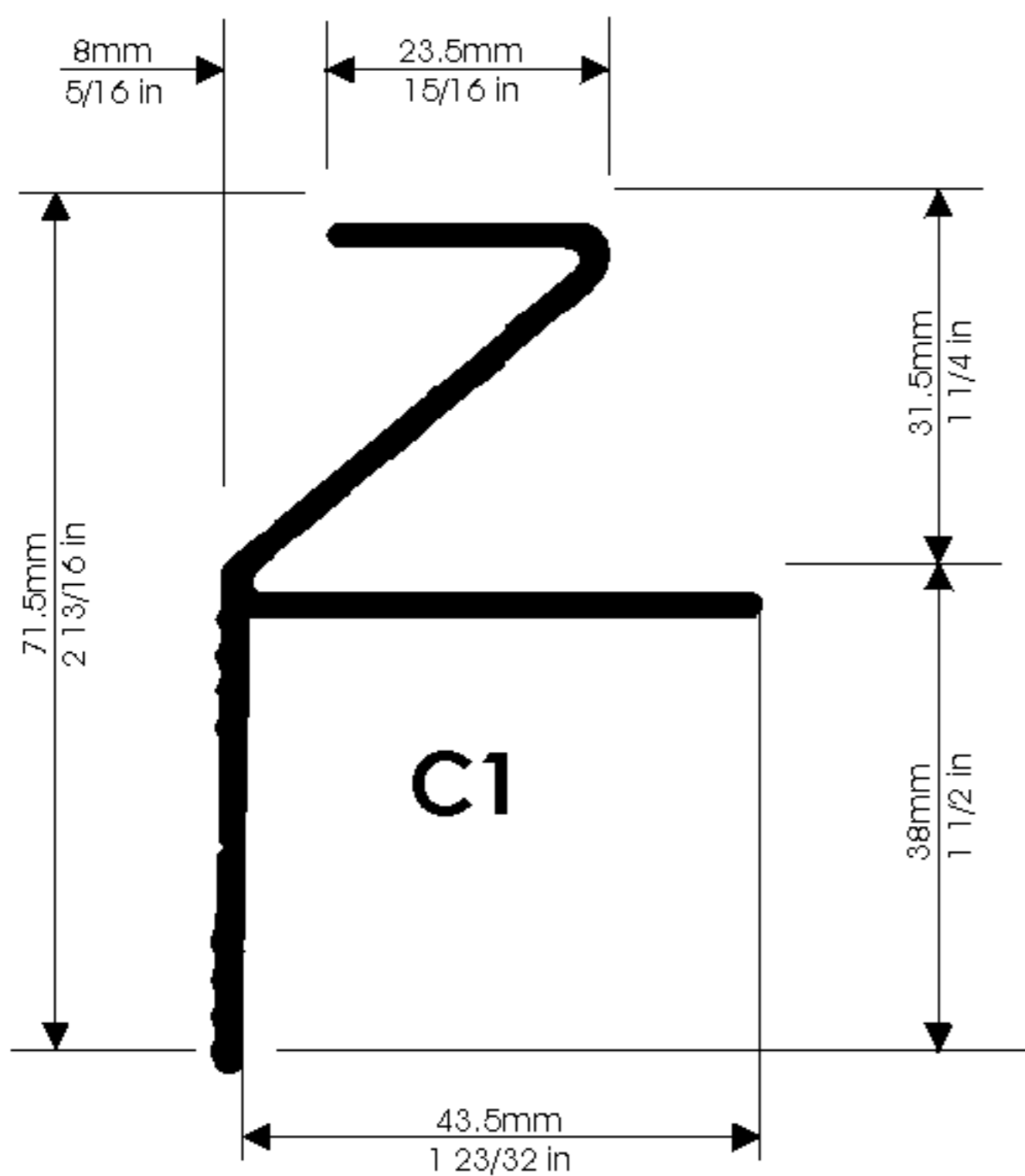
Special Side Rave to accept Crossboarded Floor



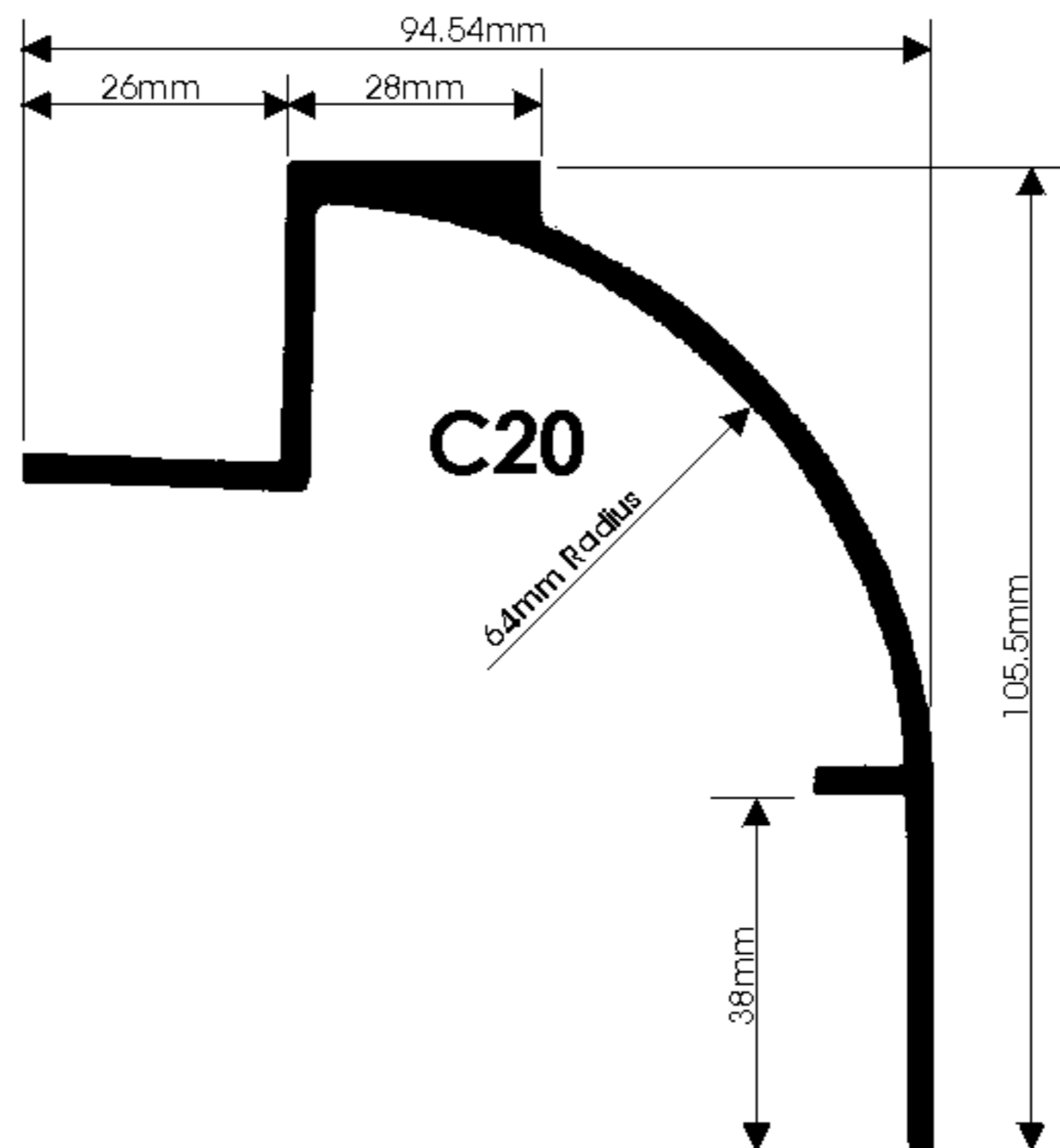
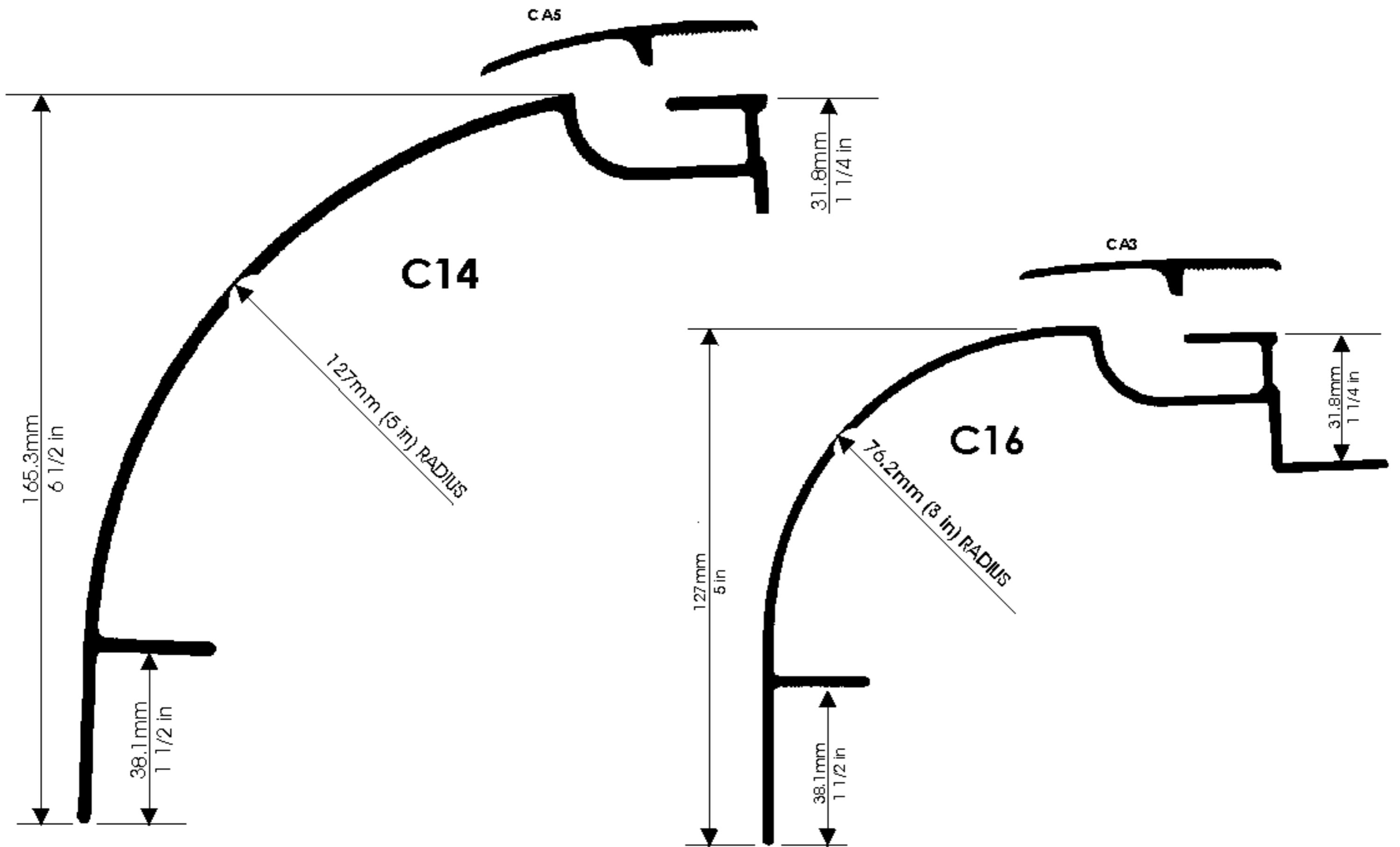
# STEEL DROPSIDE KIT



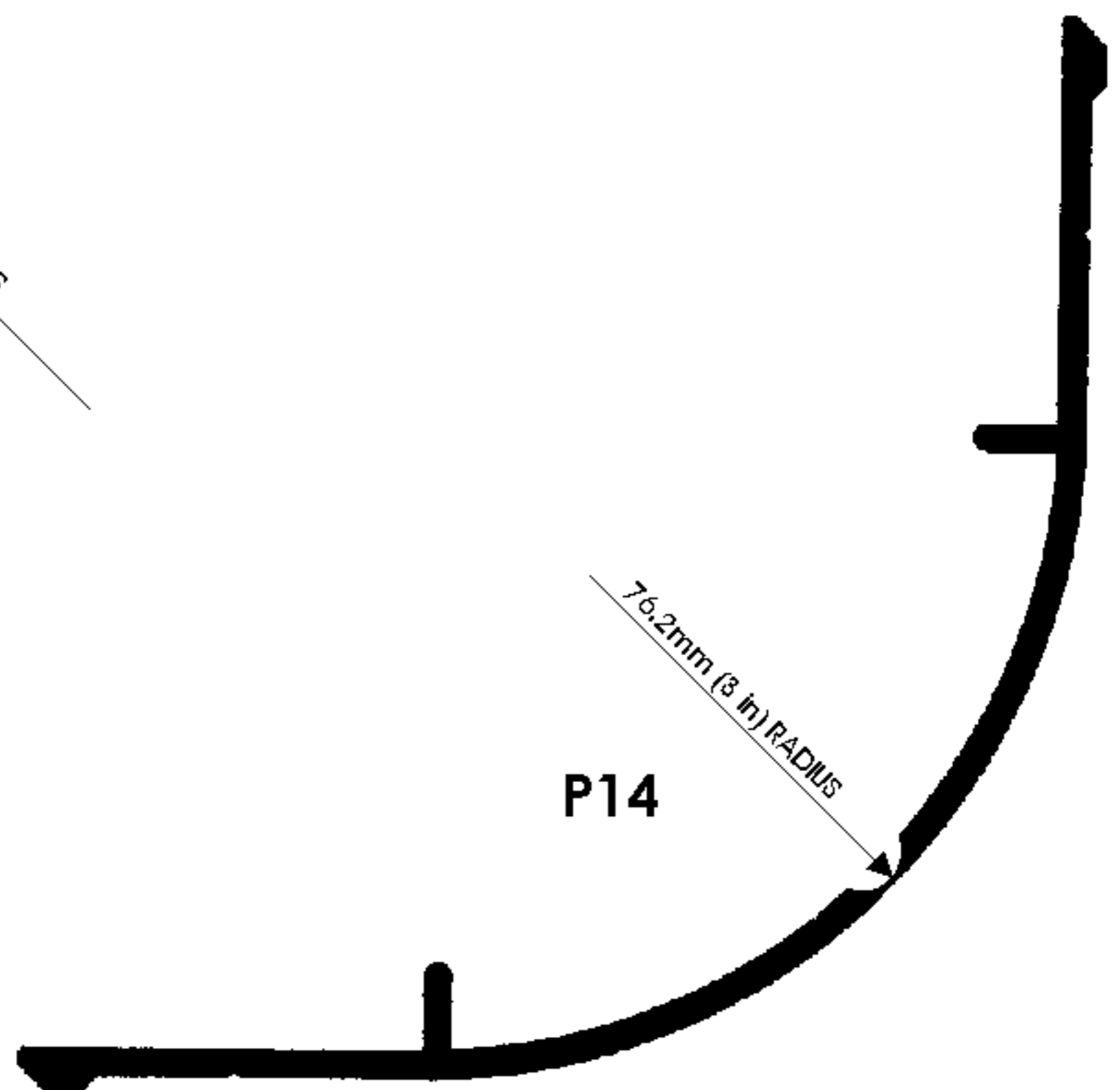
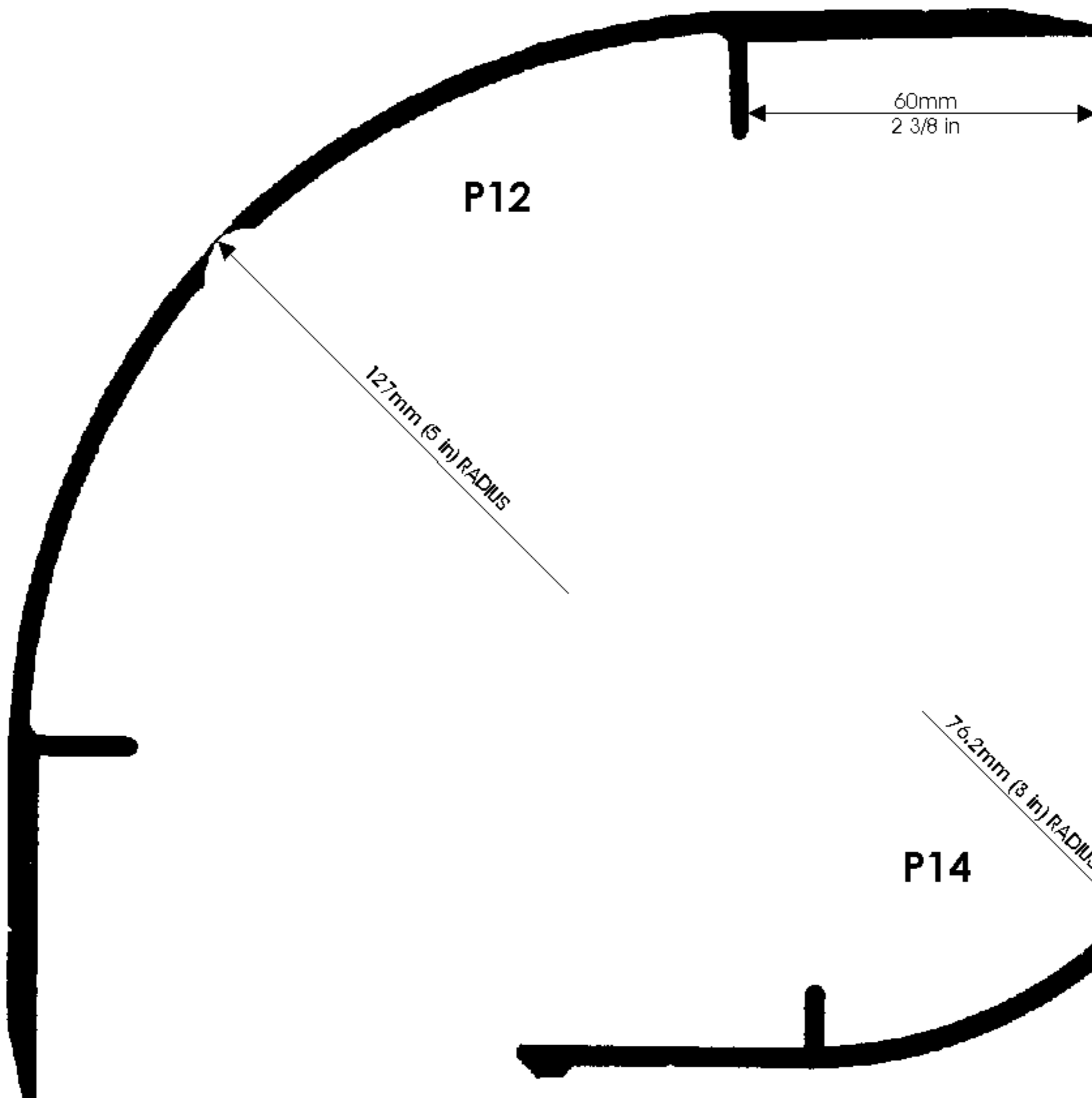
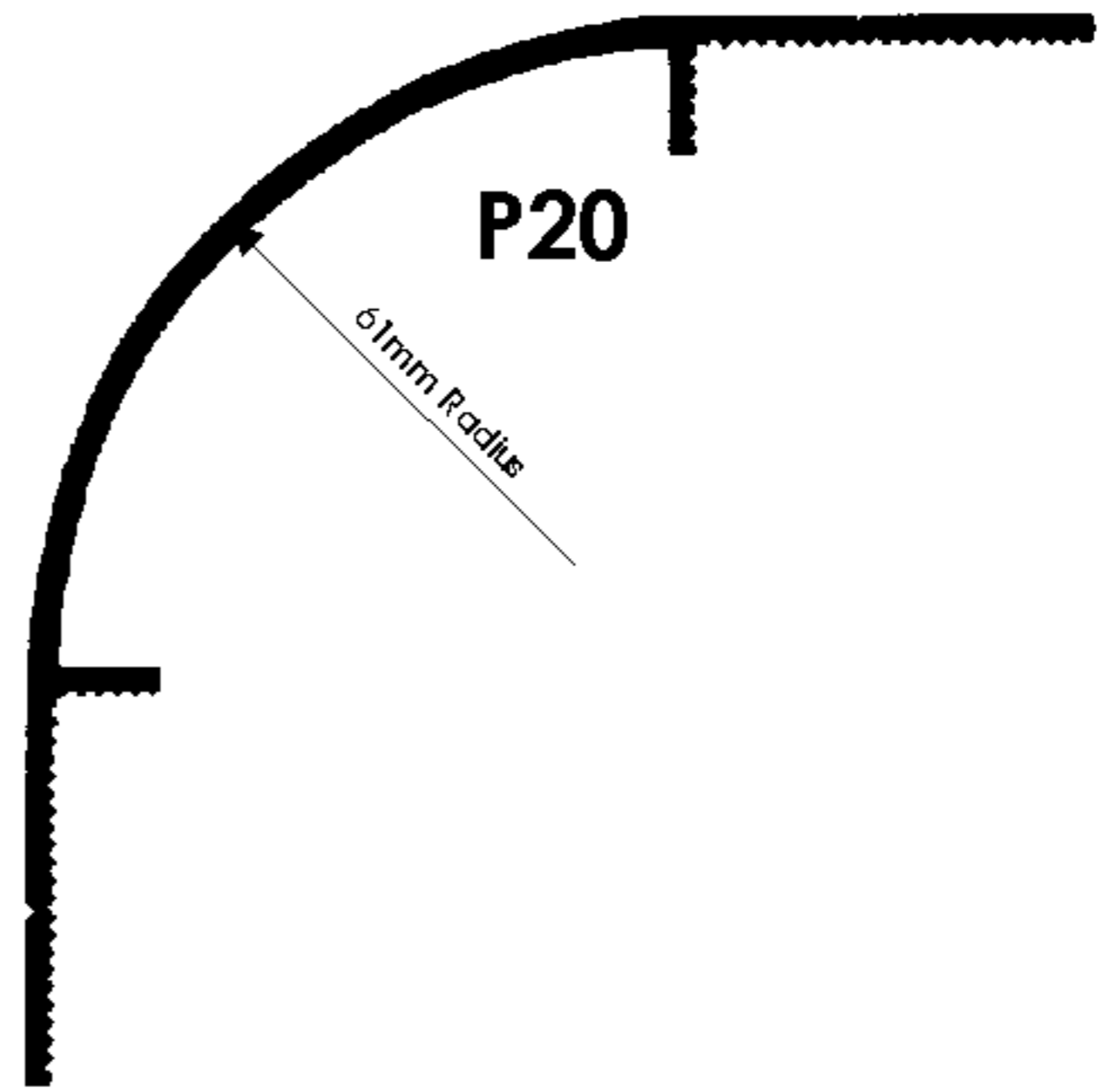
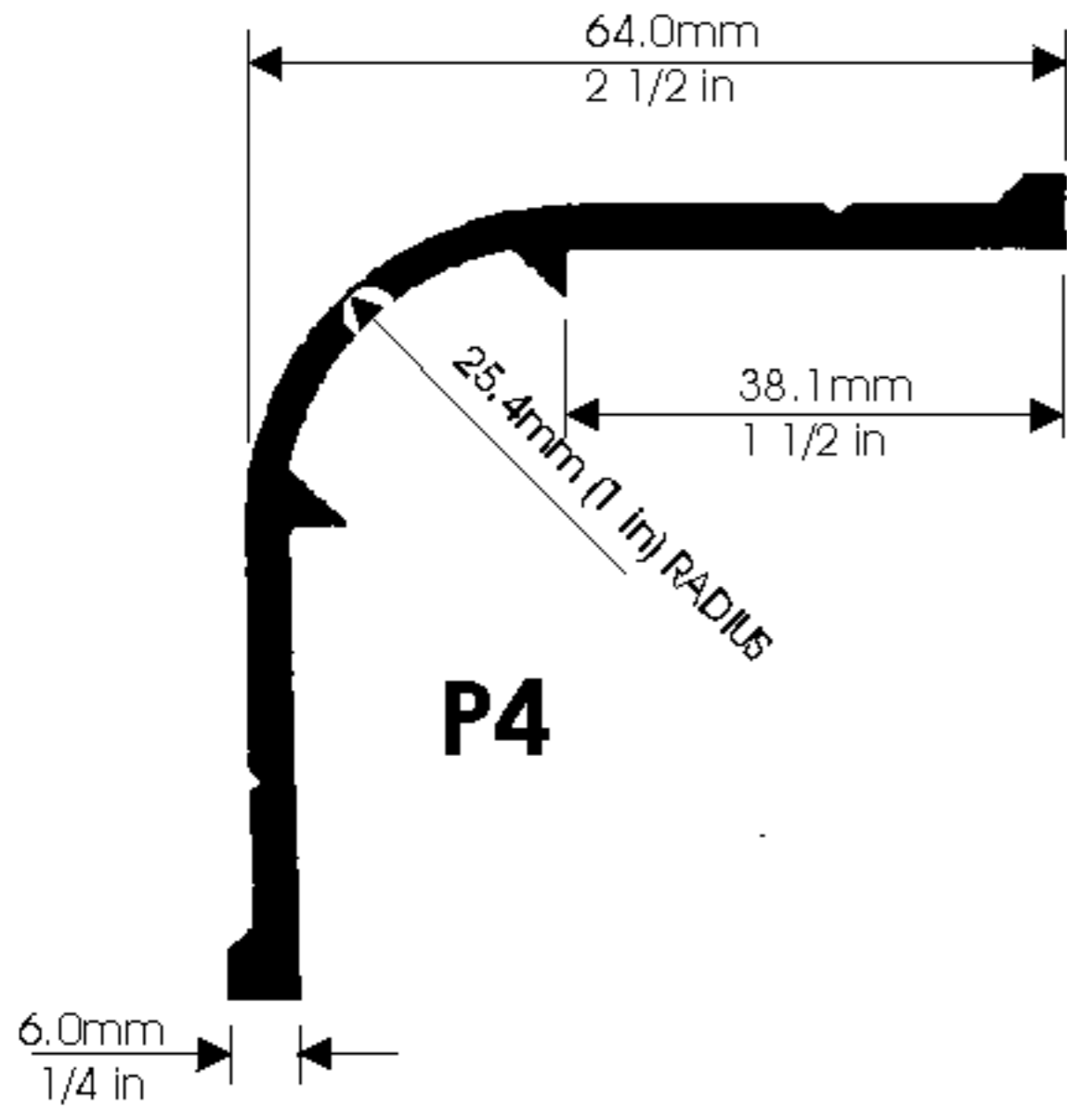
# ALUMINIUM SECTIONS - CANTRAILS



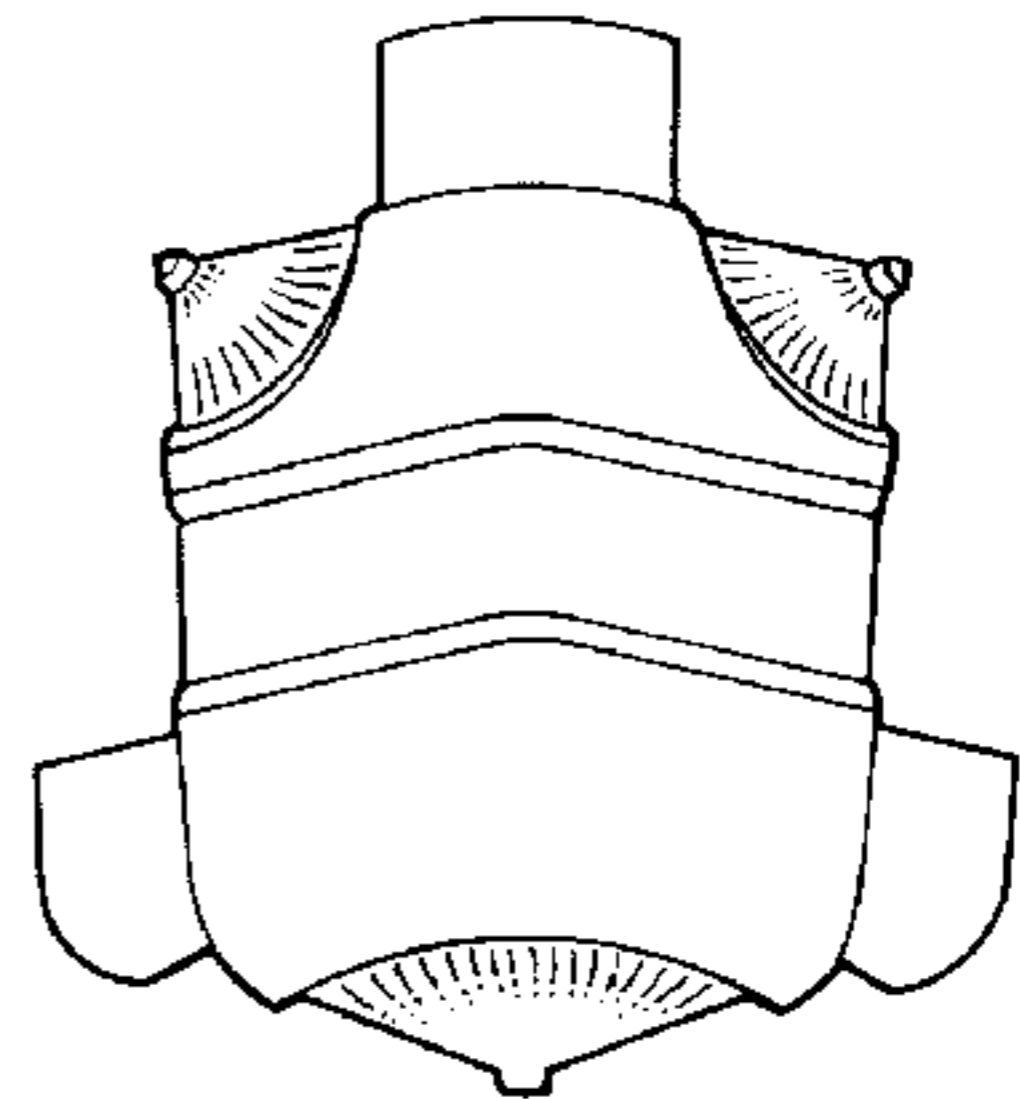
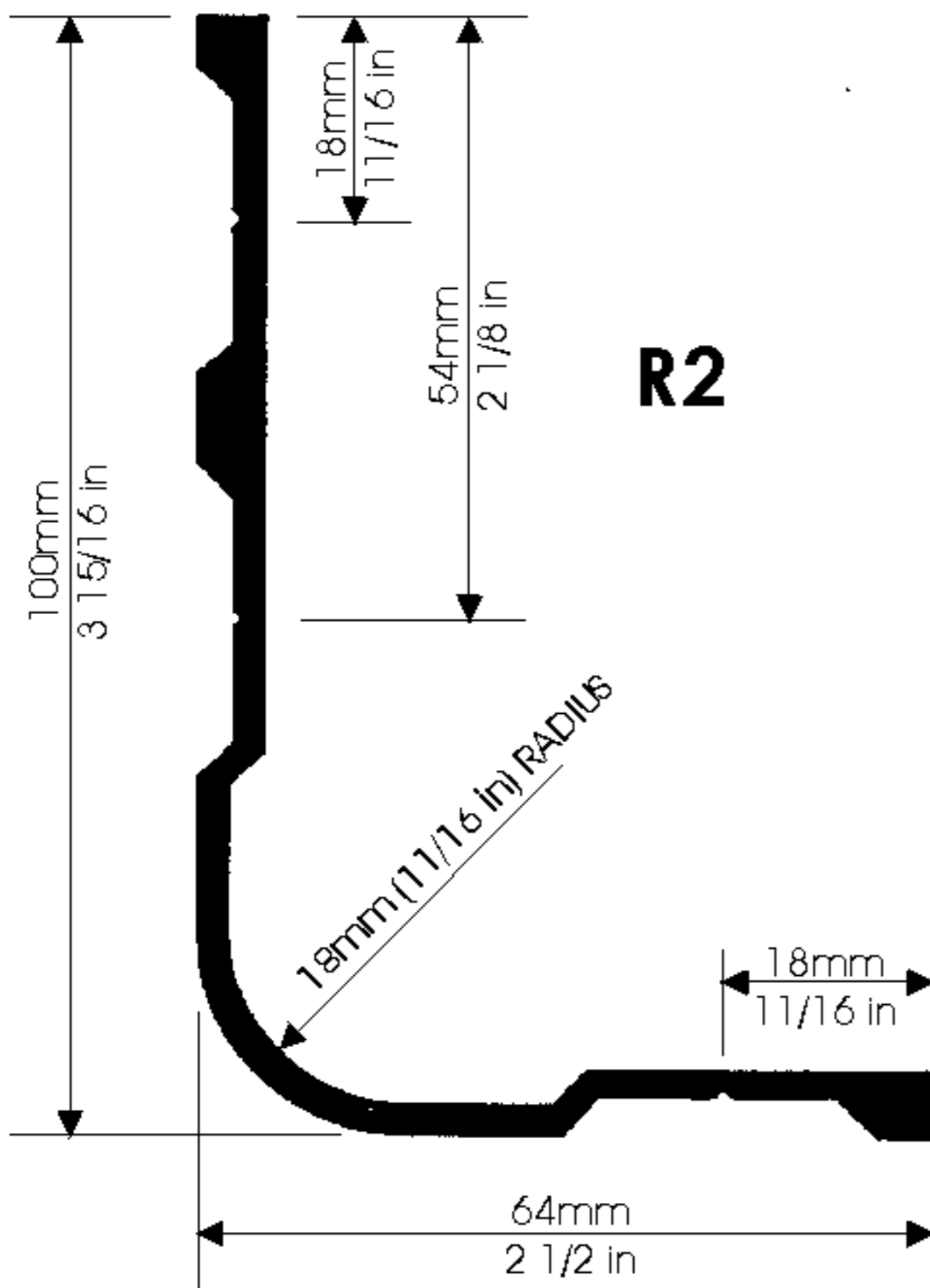
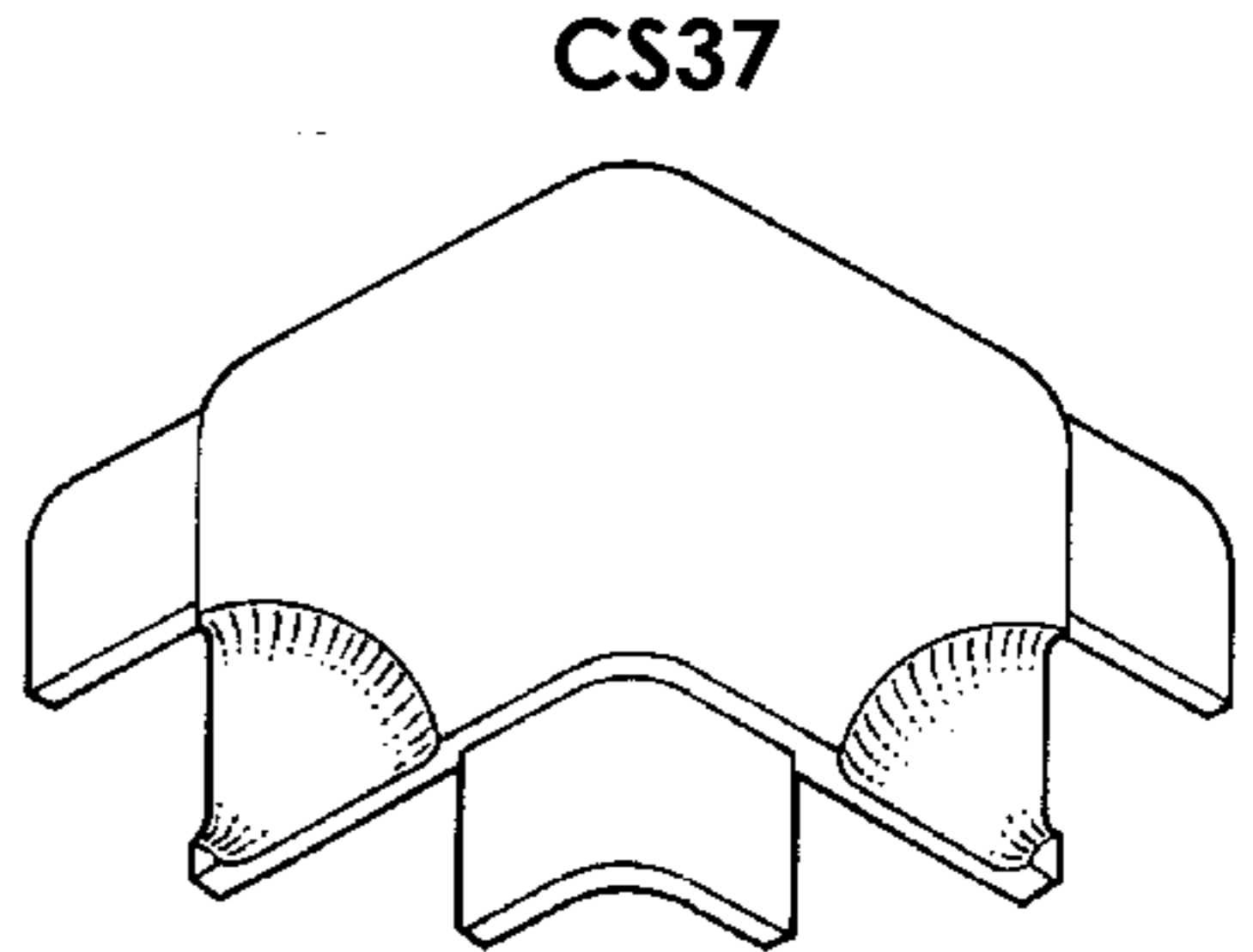
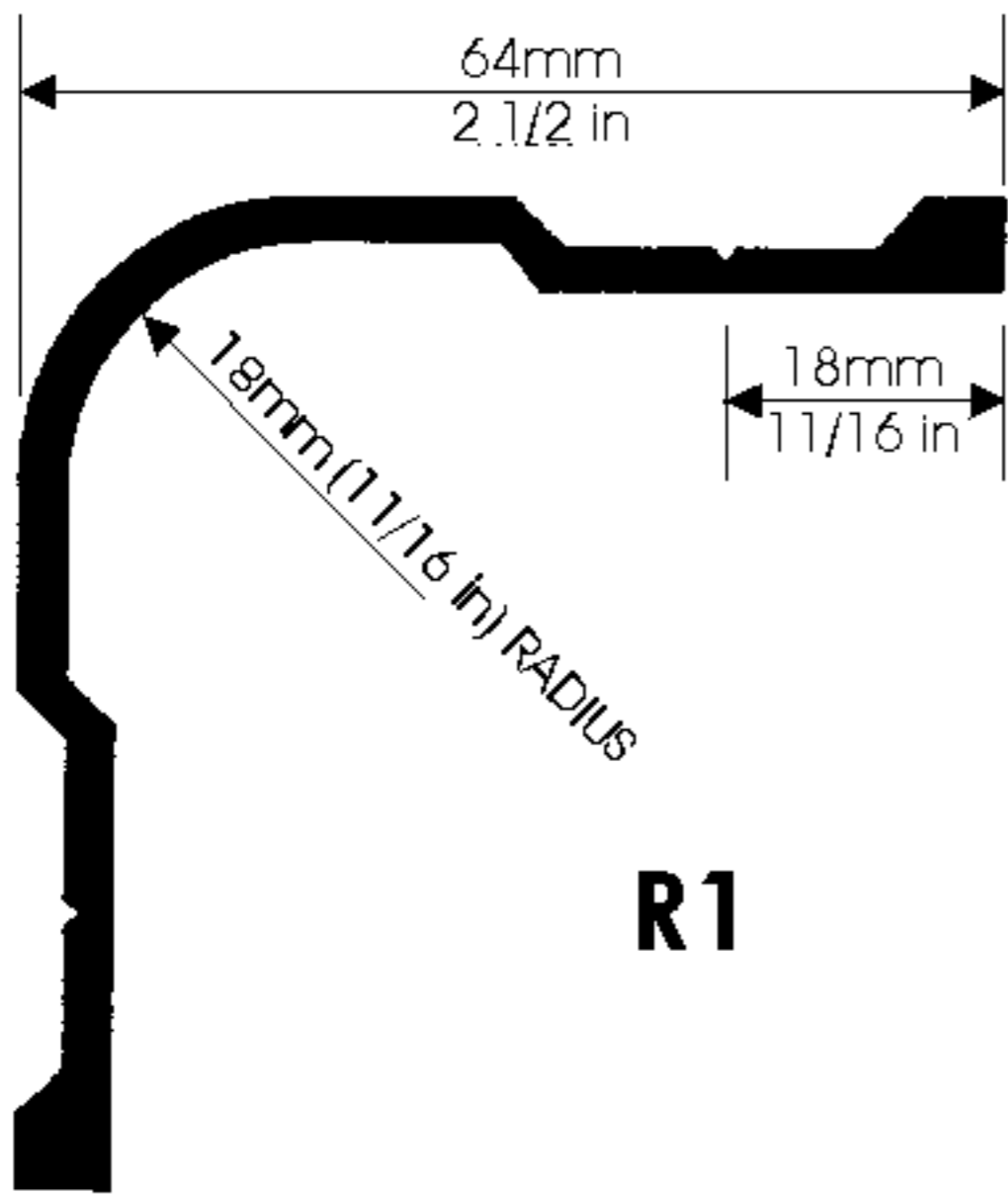
# ALUMINIUM SECTIONS - CANTRAILS



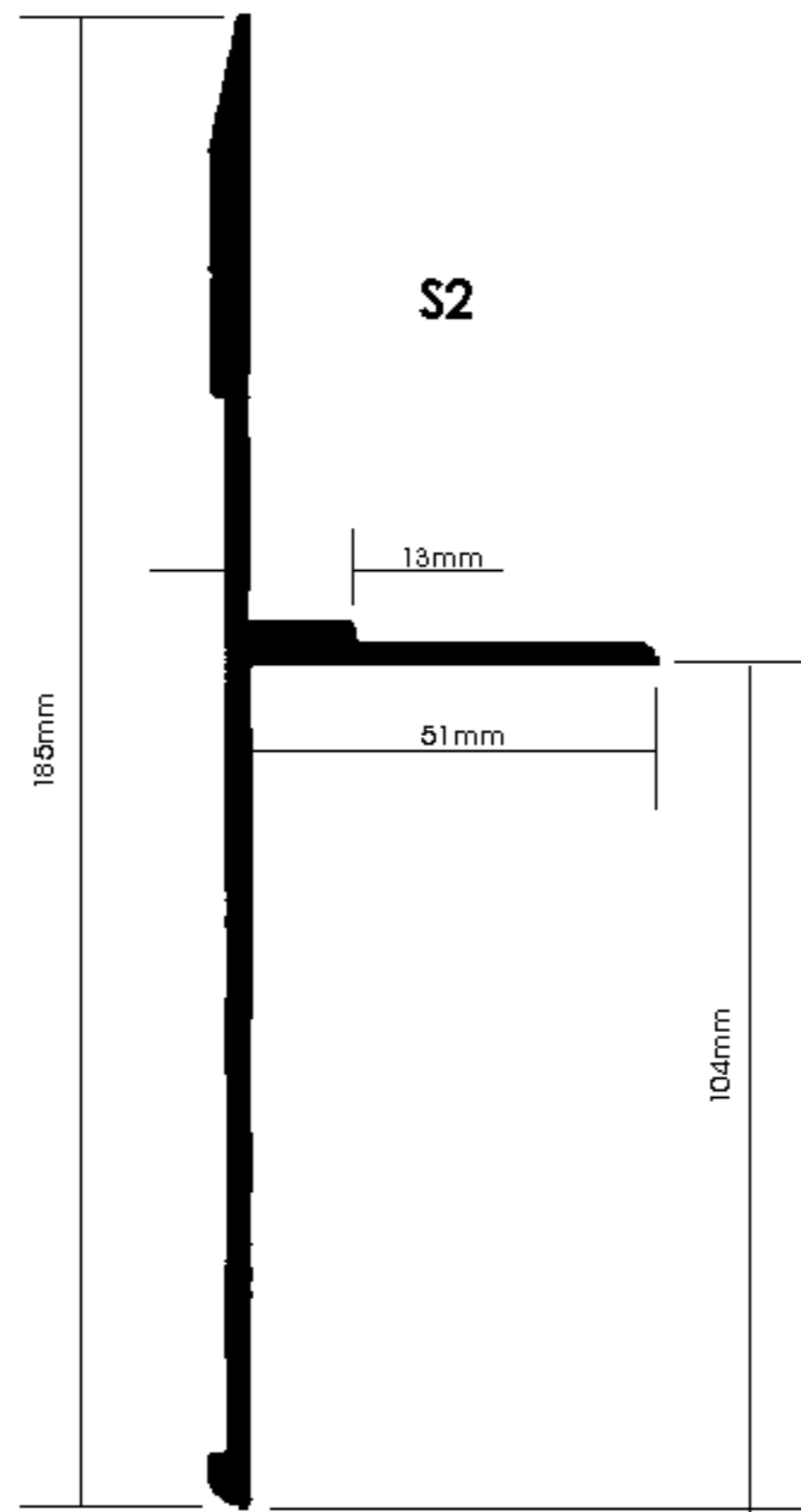
# ALUMINIUM SECTIONS - CORNER PILLARS



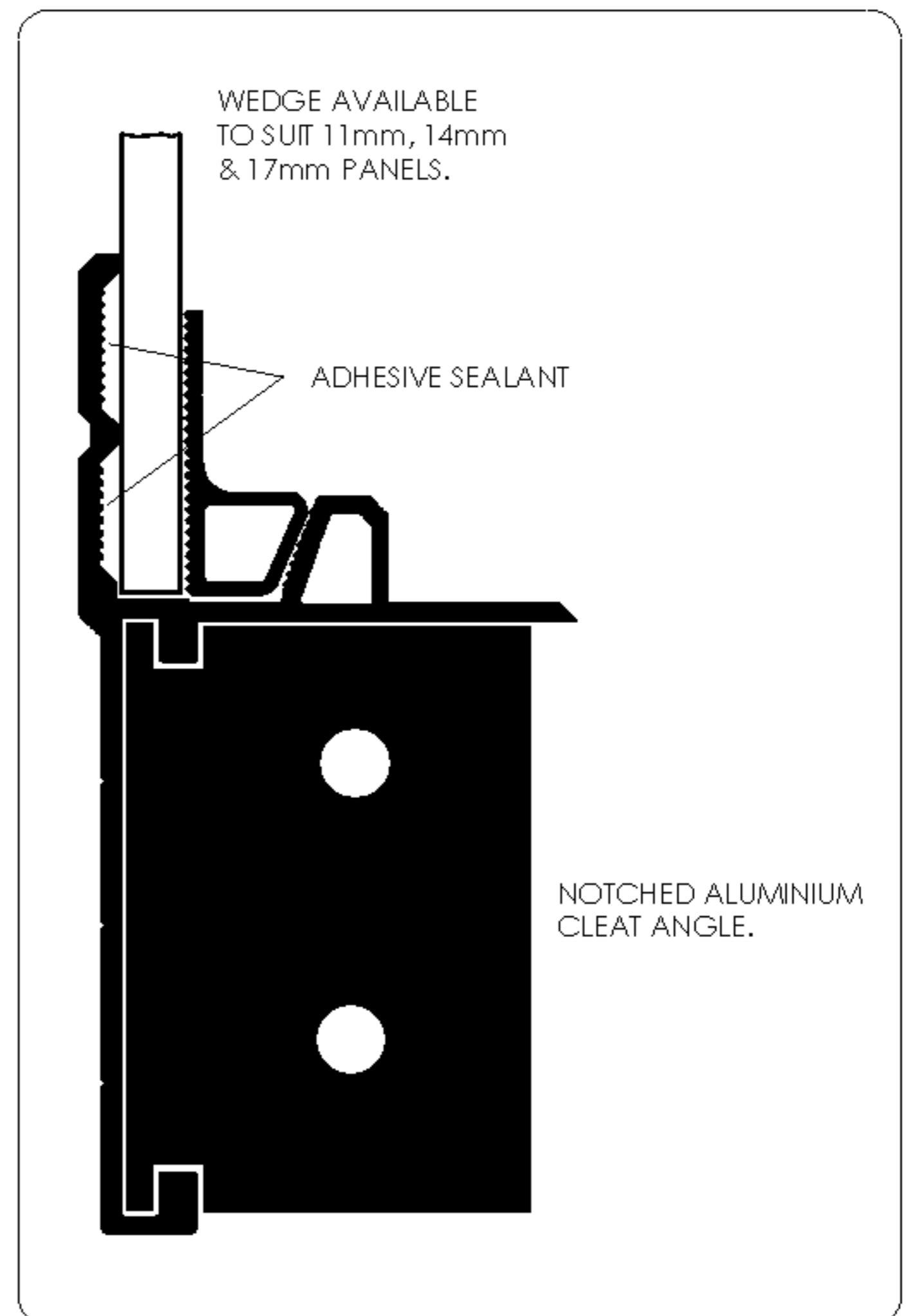
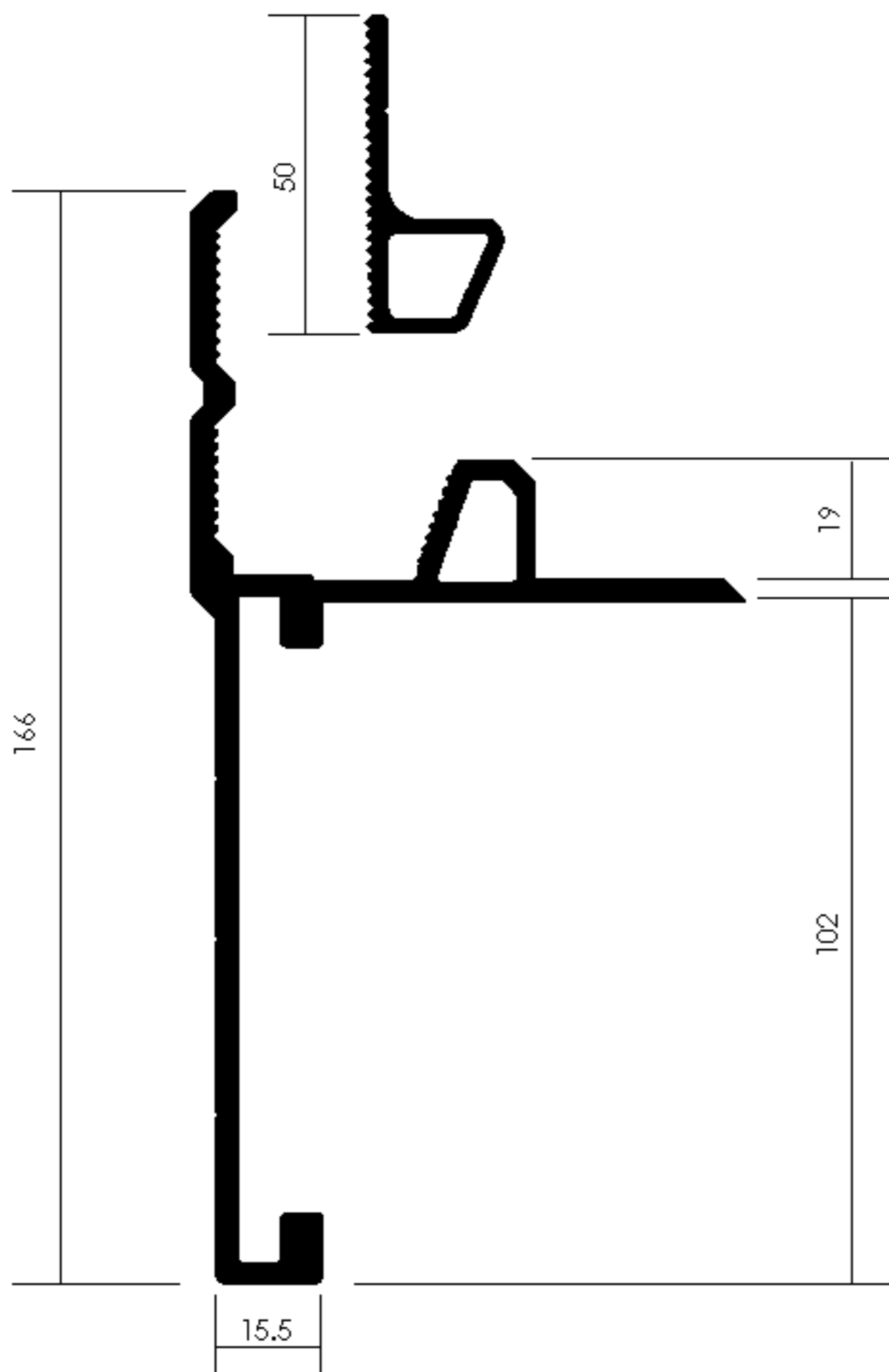
# ALUMINIUM SECTIONS - GRP COMPOSITE PANEL SECTIONS



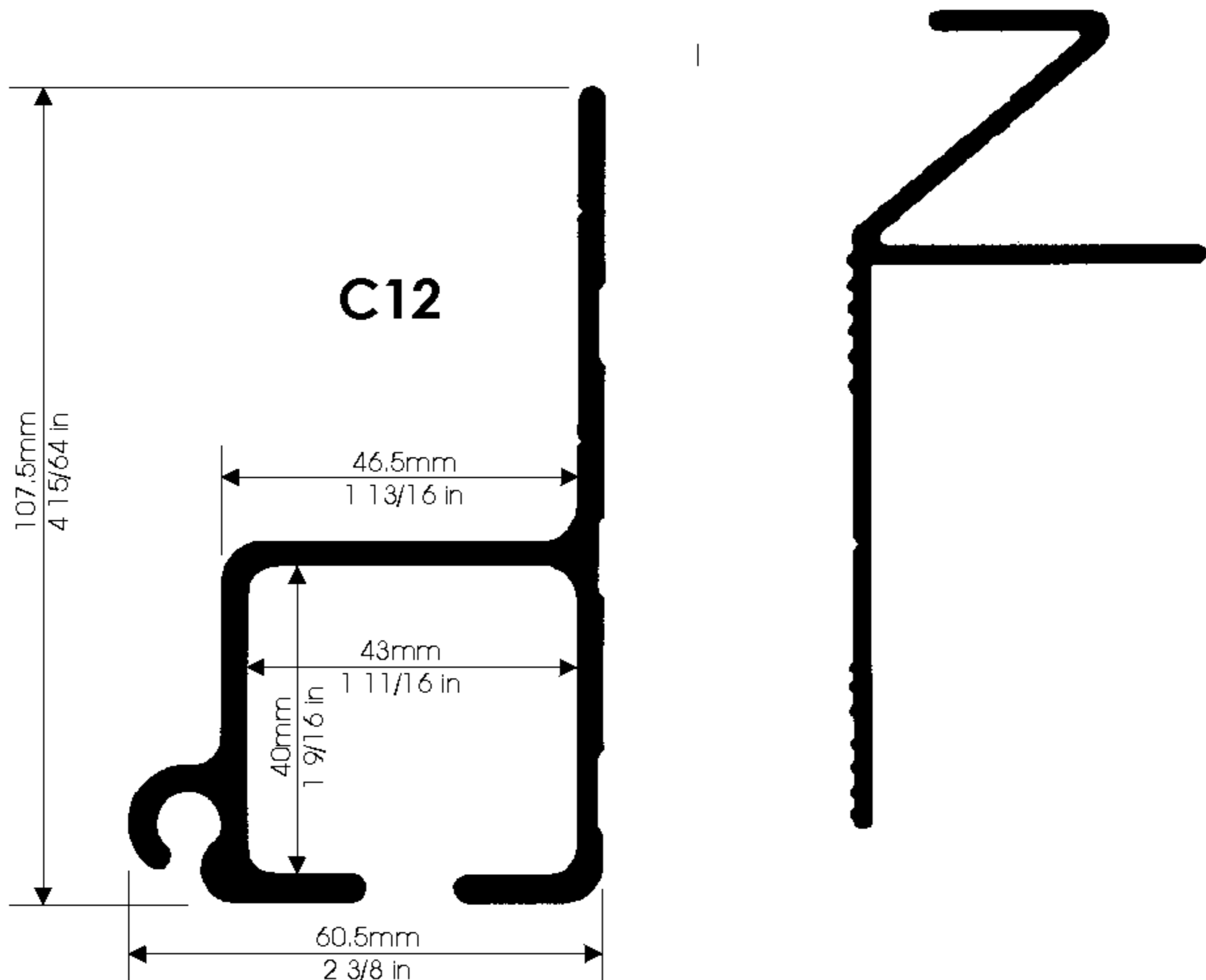
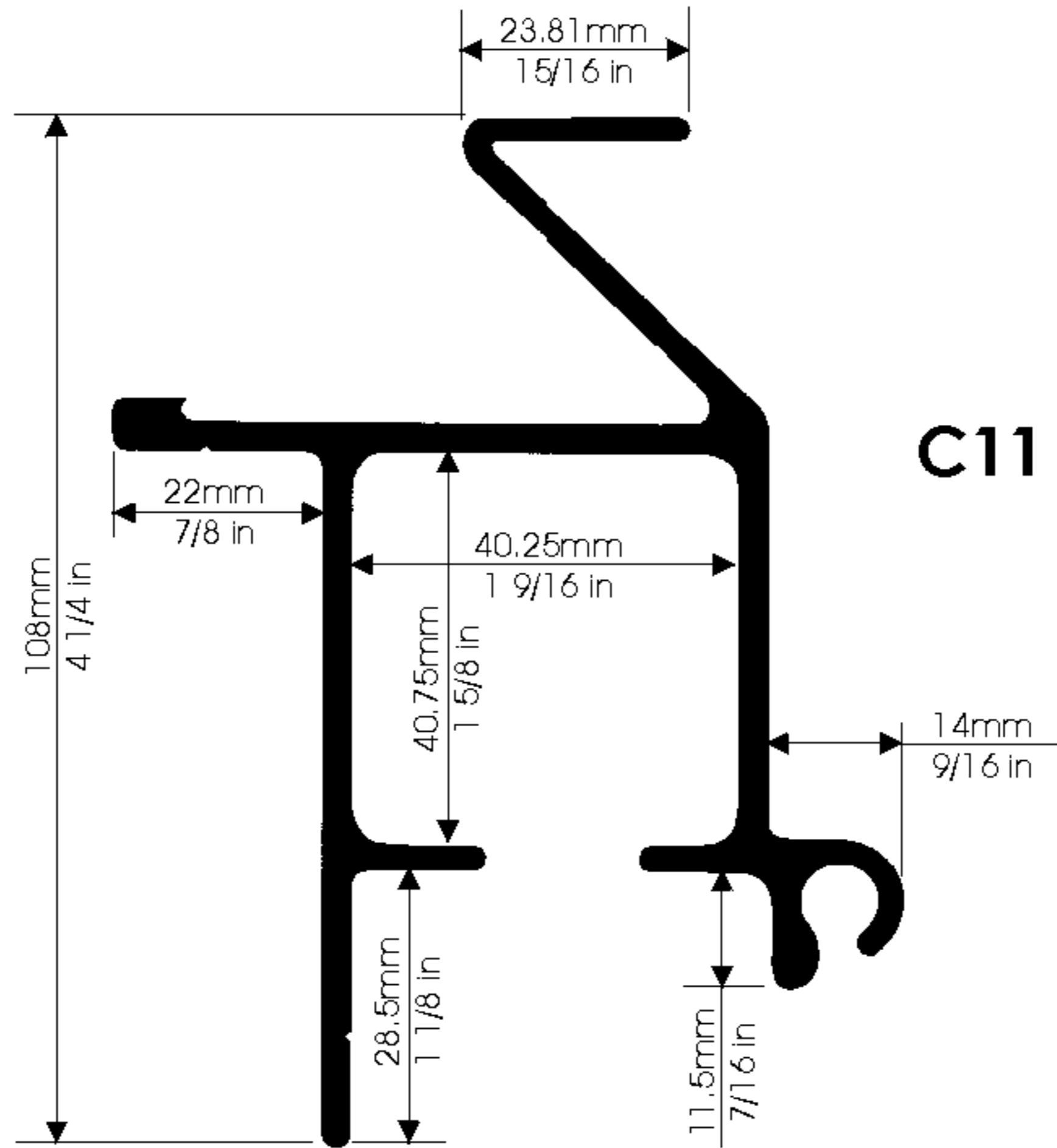
# ALUMINIUM SECTIONS - CVR GRP SIDE RAVE



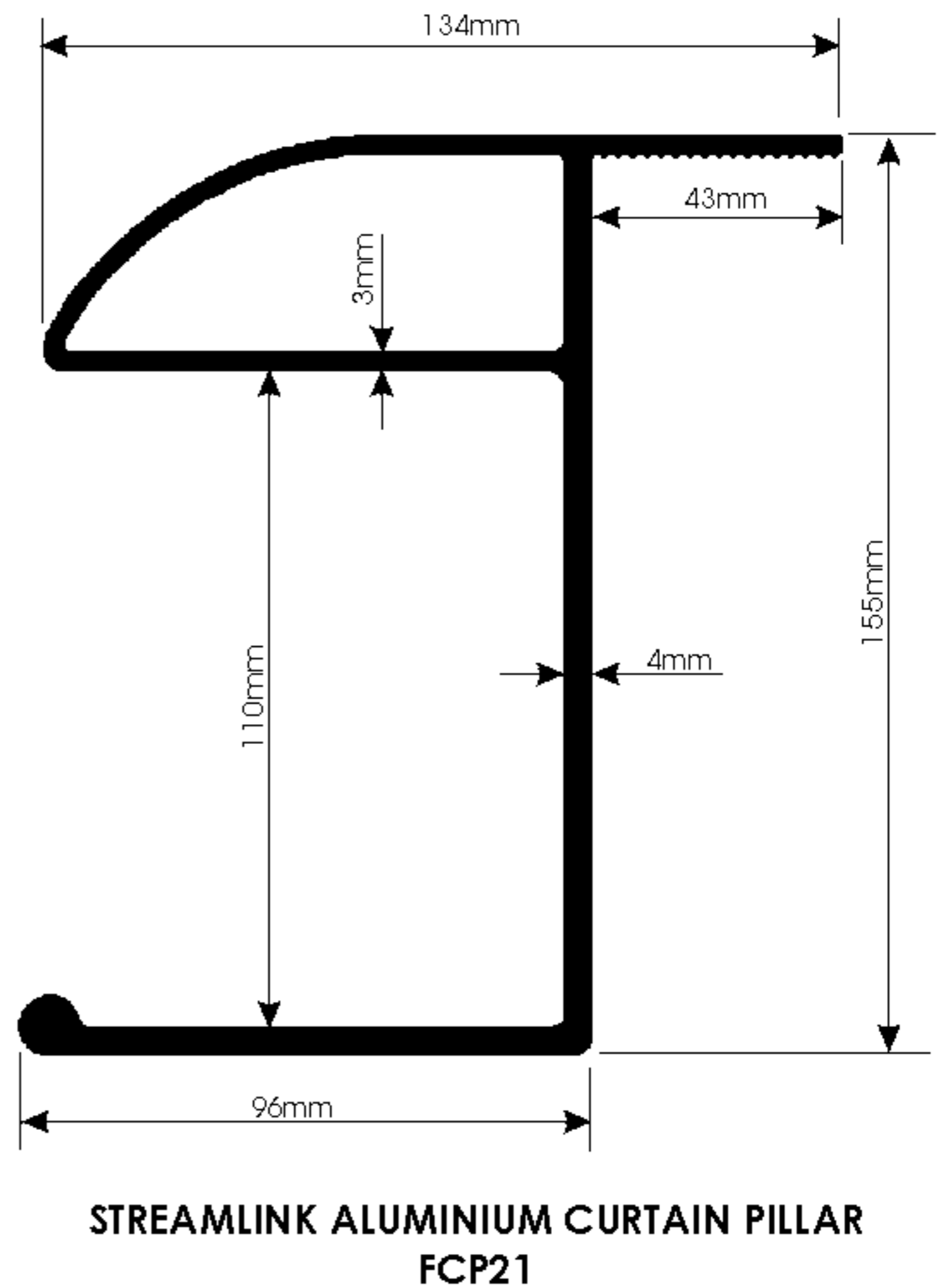
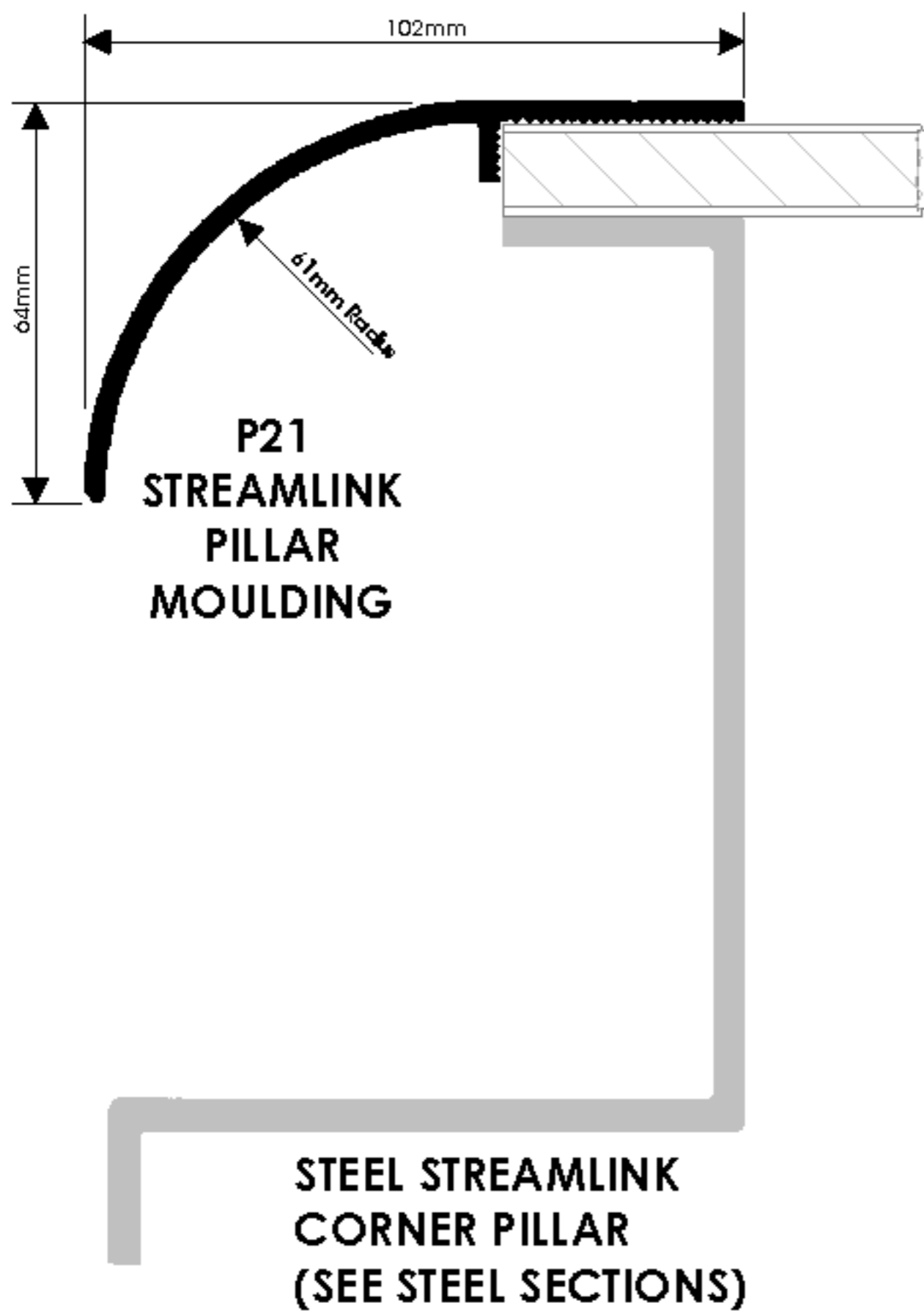
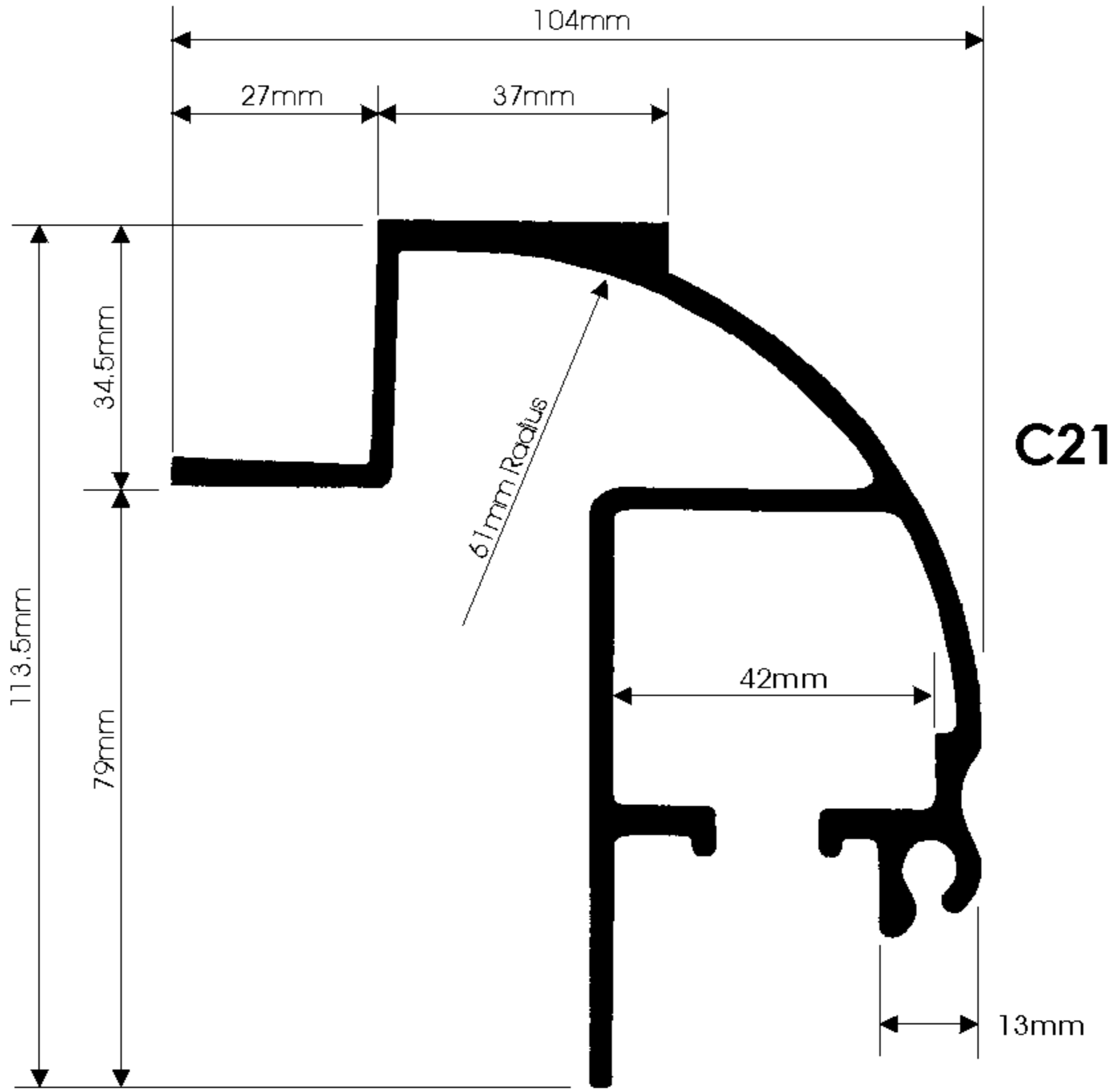
## FIXING FREE - GRP SIDE RAVE (PATENT PENDING)



# ALUMINIUM SECTIONS - CURTAINSIDERS

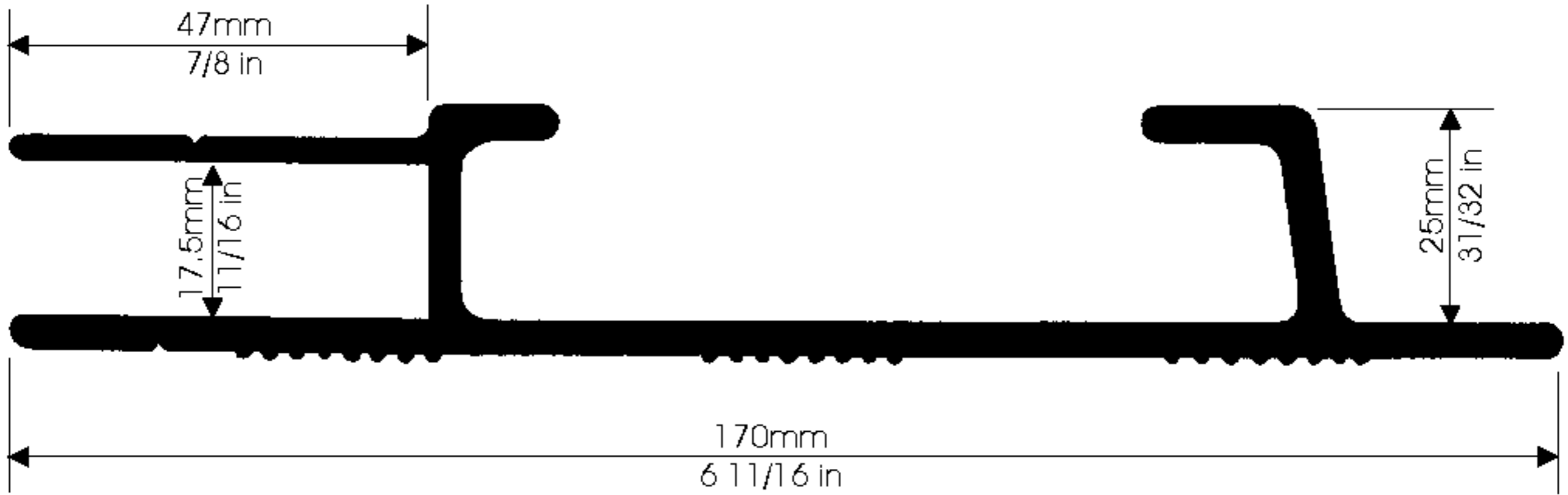


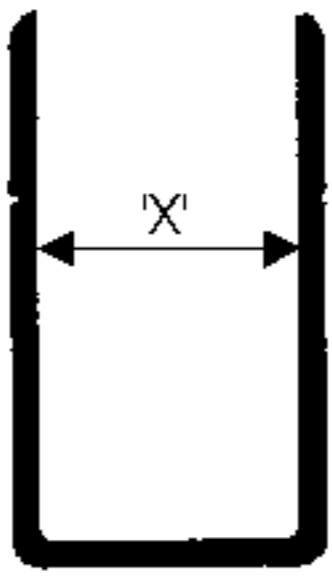
# ALUMINIUM SECTIONS - CURTAINSIDERS



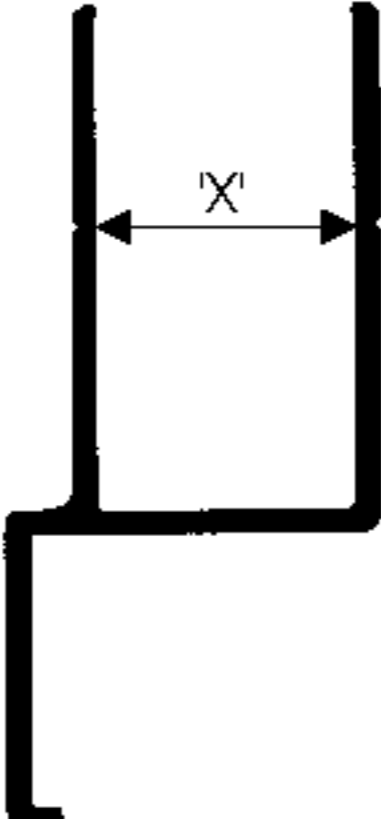
# ALUMINIUM SECTIONS - DOOR FRAME SECTIONS

## RL9 RECESSED LOCK EXTRUSION



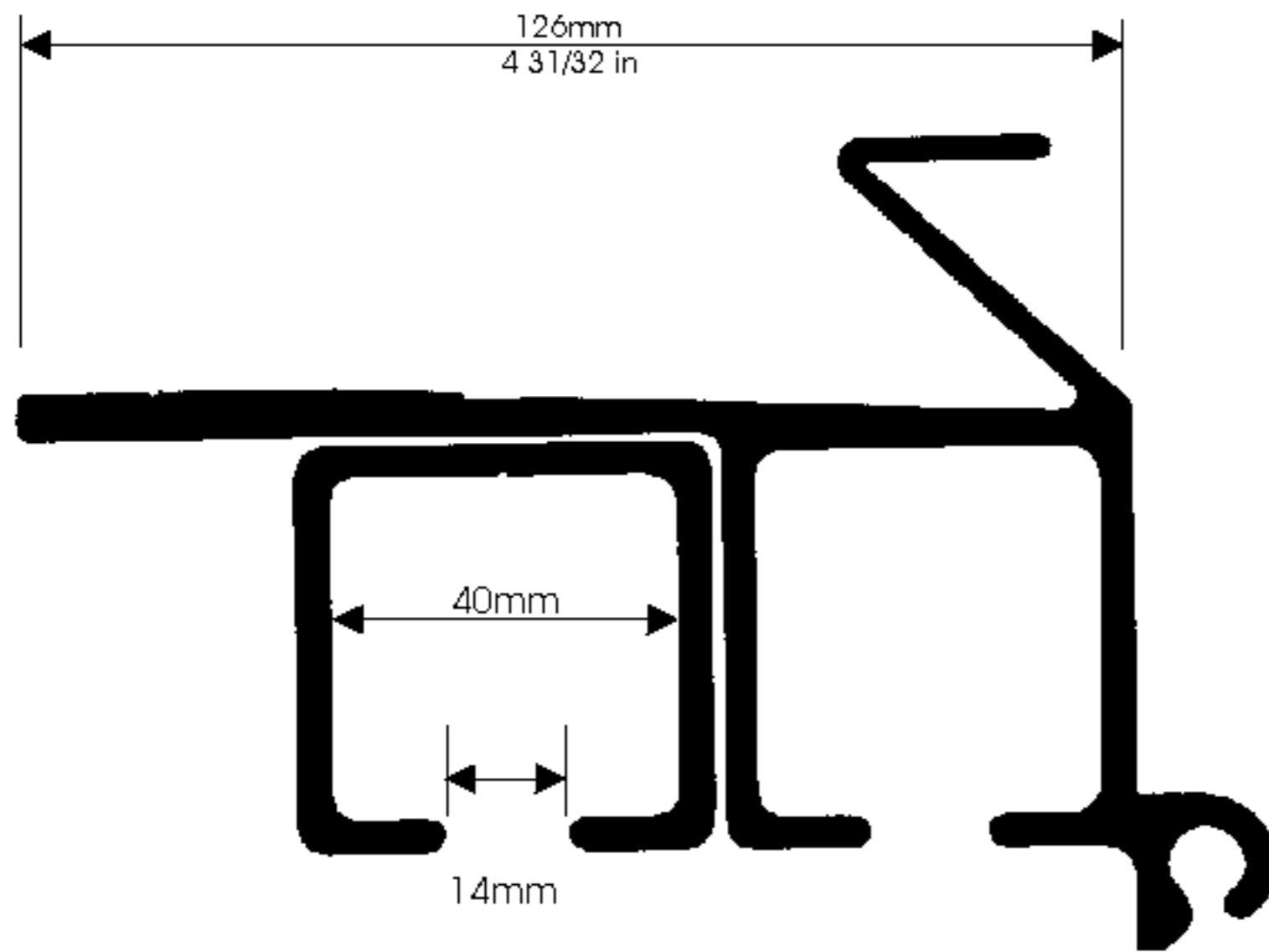
|  | 'X'    | SECTION NO. |
|---|--------|-------------|
|   | 11.5mm | E7          |
|   | 14mm   | E2          |
|   | 17.5mm | E3          |
|   | 21.5mm | E5          |

**'U' CAPPING**

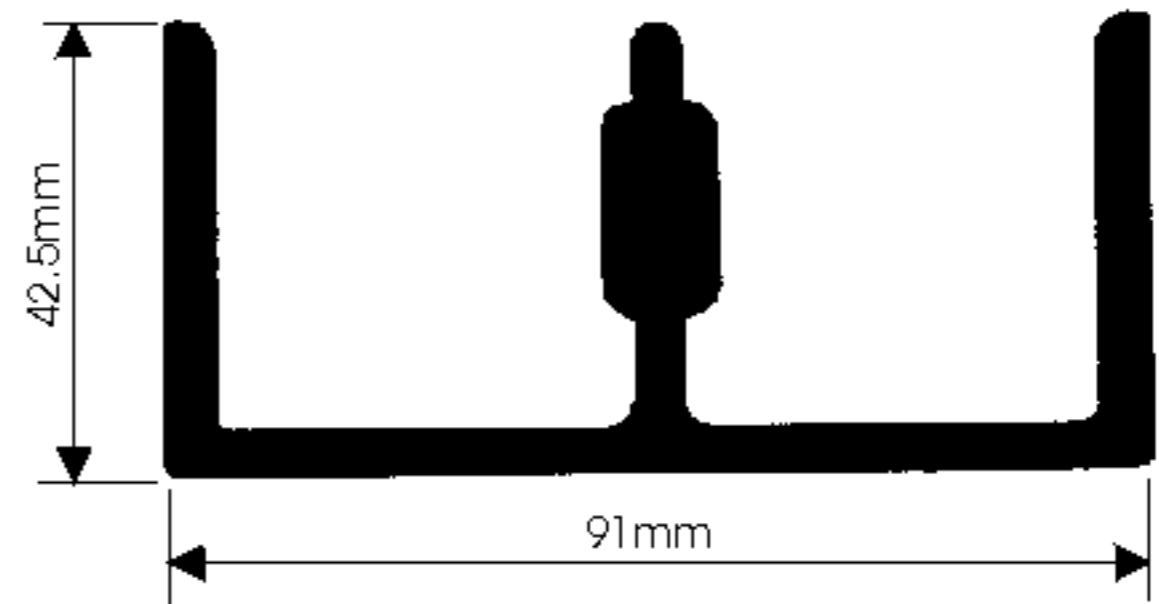
|  | 'X'    | SECTION NO. |
|---|--------|-------------|
|   | 14mm   | L2          |
|   | 17.5mm | L3          |

**LIPPED  
'U' CAPPING**

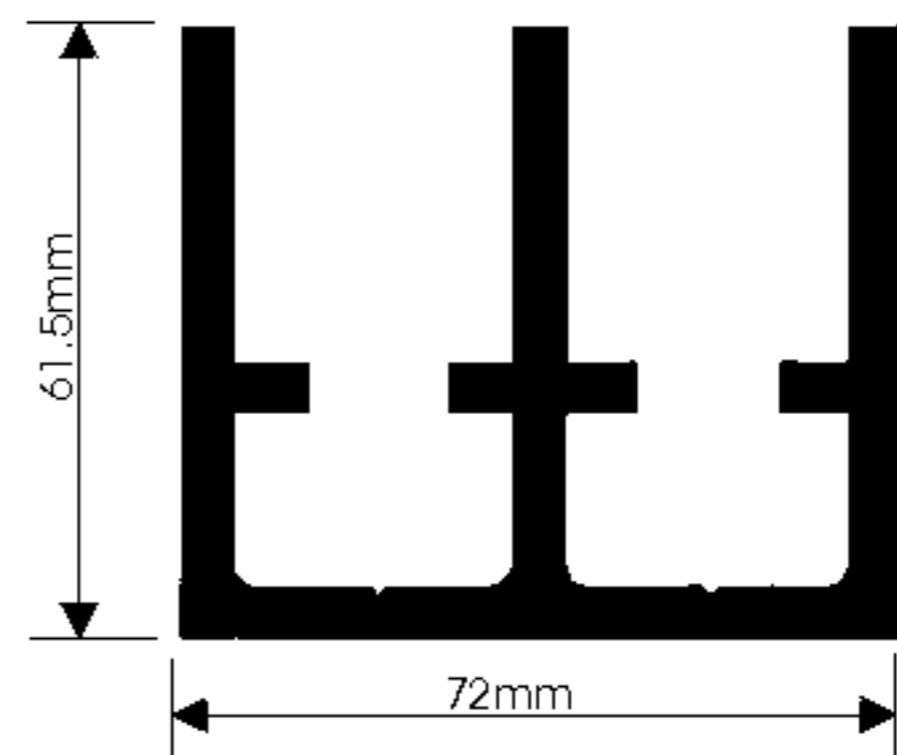
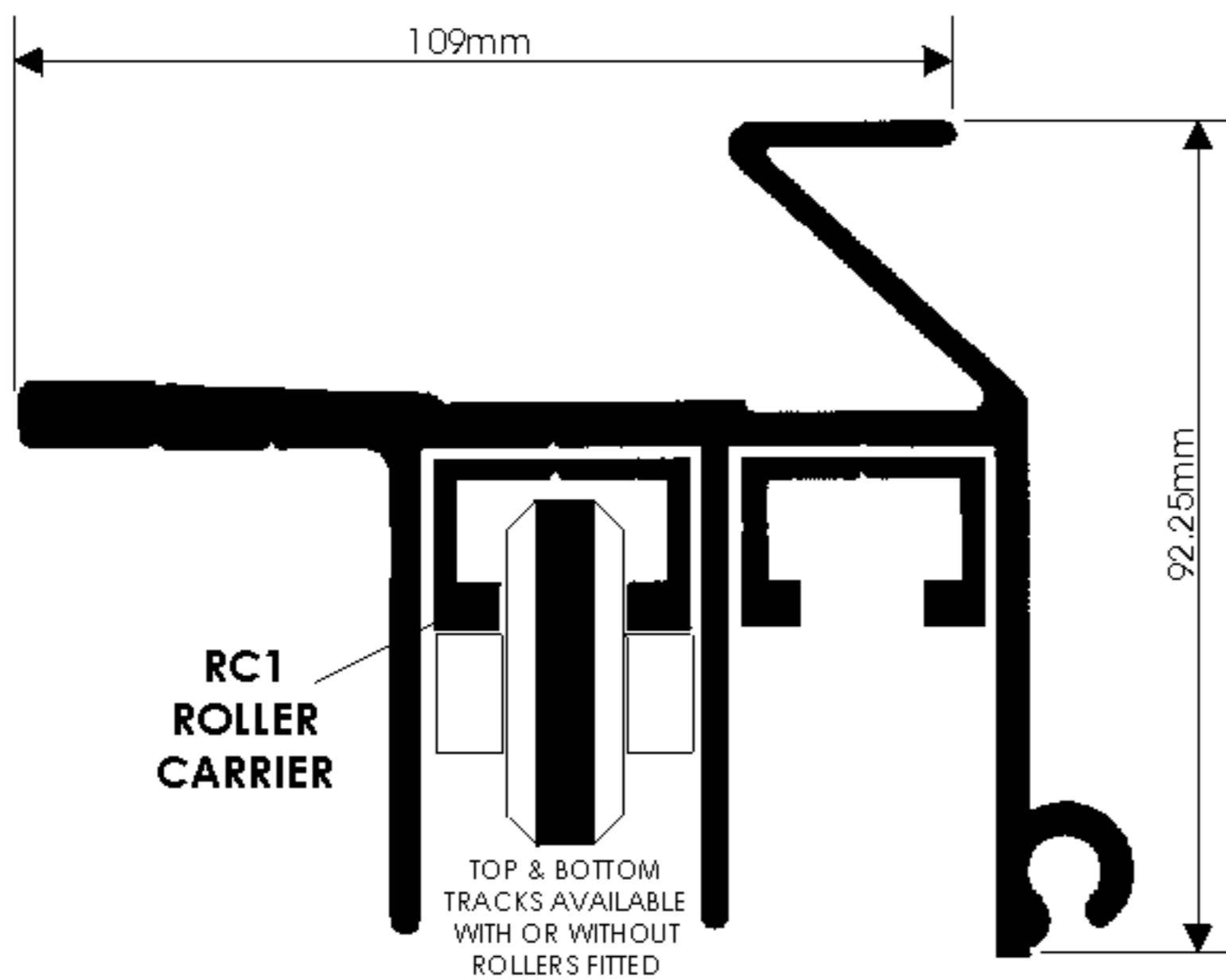
# ALUMINIUM SECTIONS - SLIDING DOORS



## TOP HUNG



## BOTTOM SUPPORTED

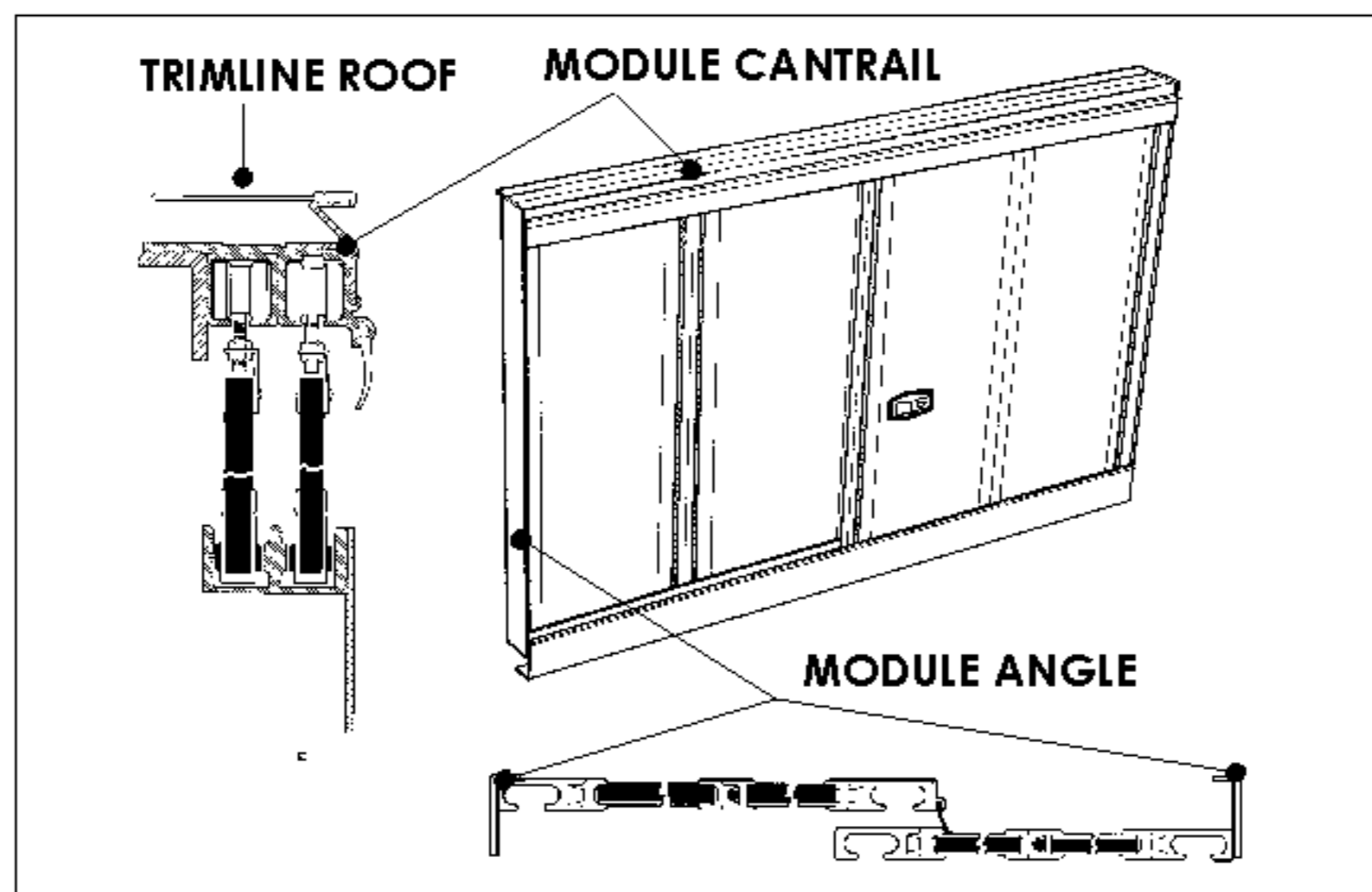
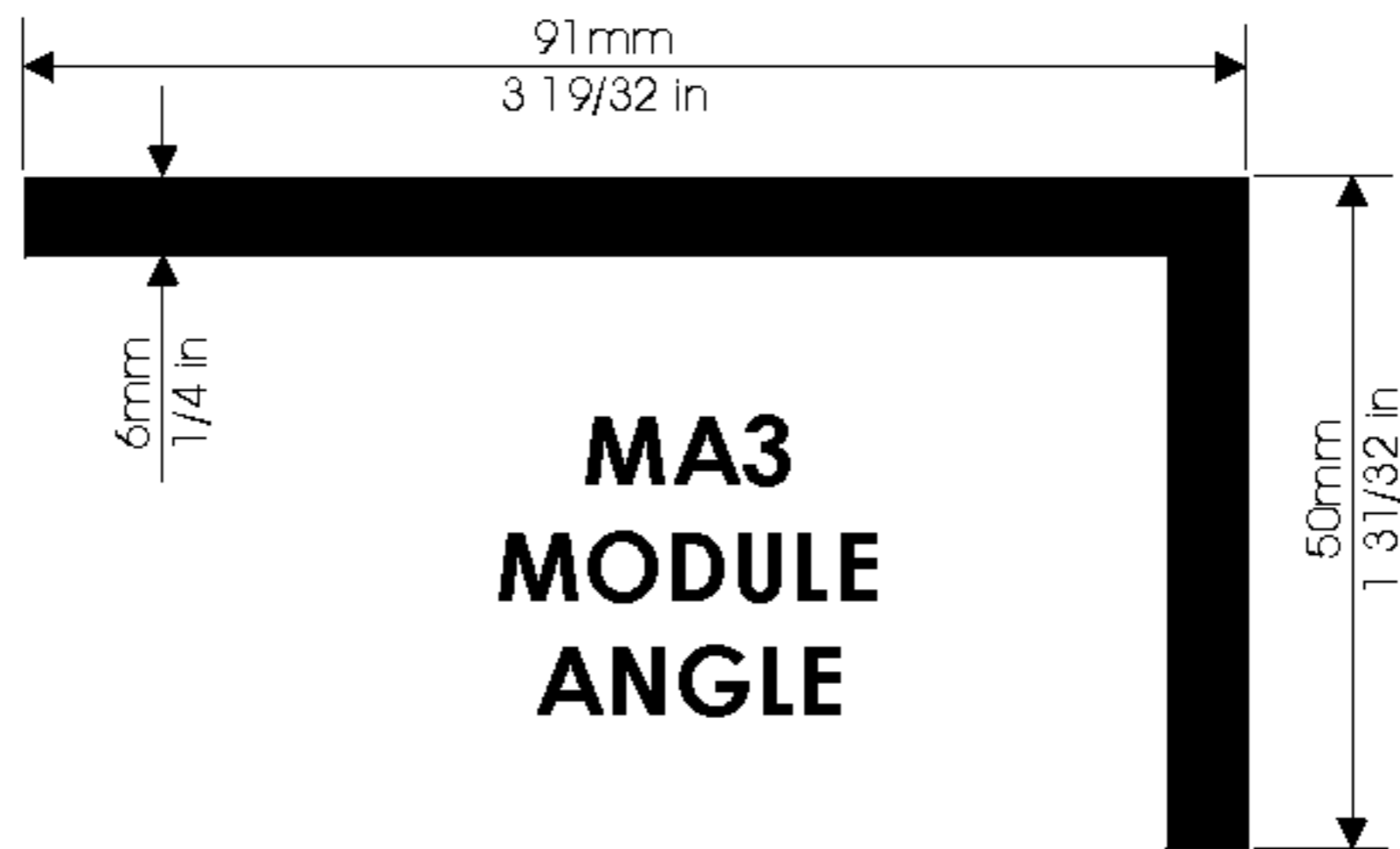
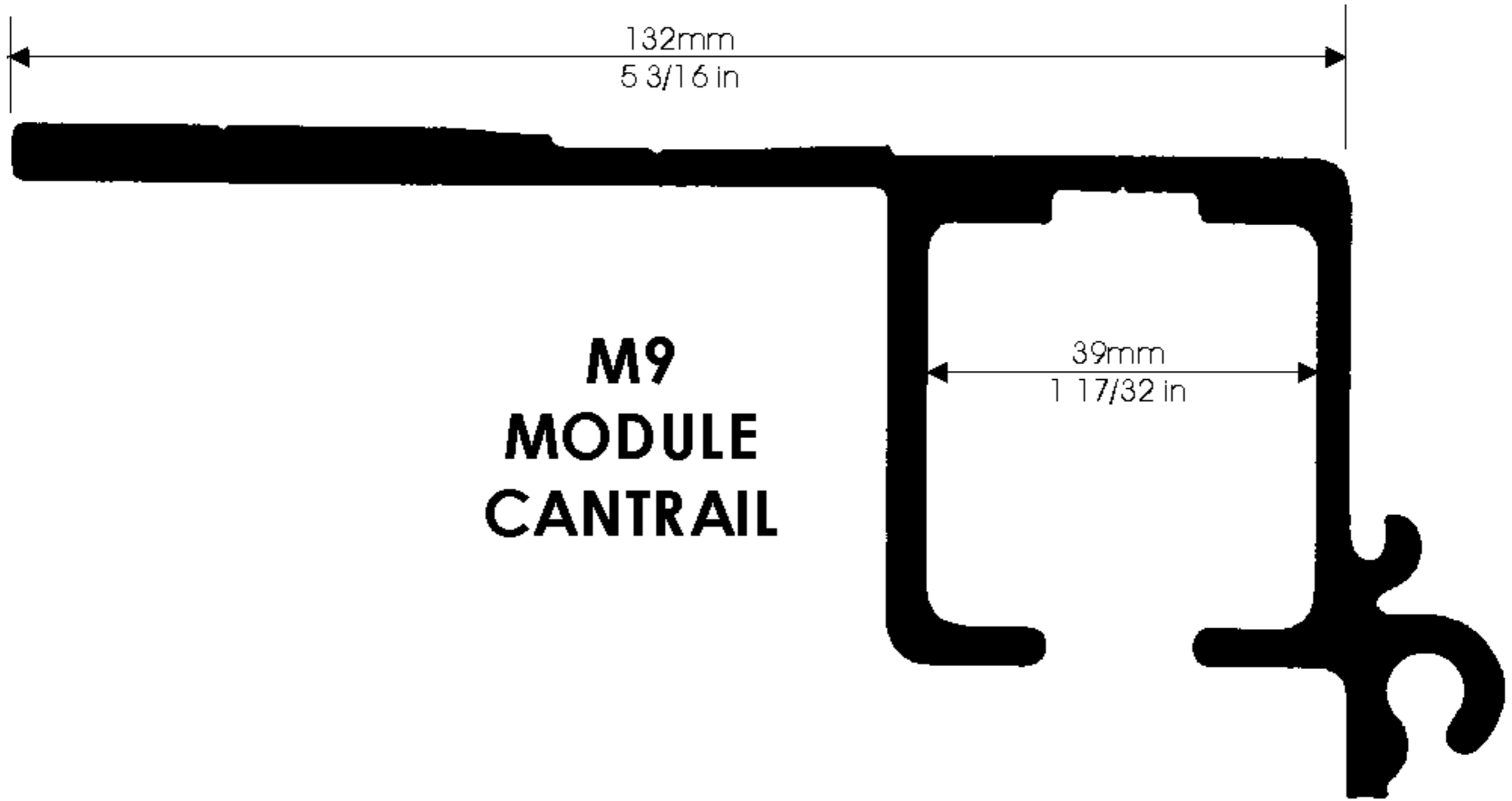


SD3  
BOTTOM SUPPORTED CANTRAIL

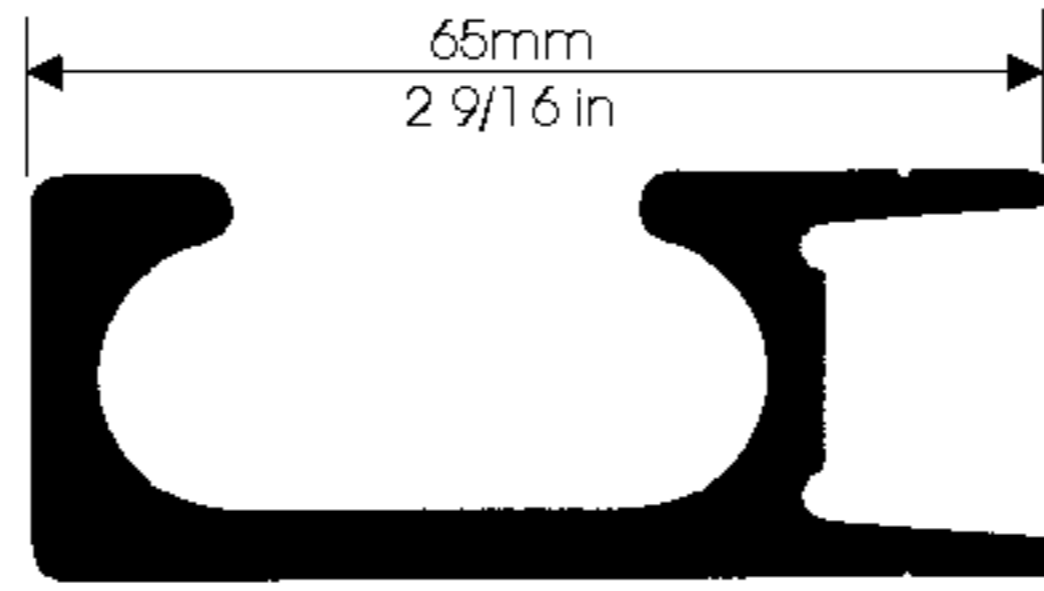
SD4  
BOTTOM ROLLER TRACK

# ALUMINIUM SECTIONS - SLIDING DOORS

## TOP HUNG MODULE



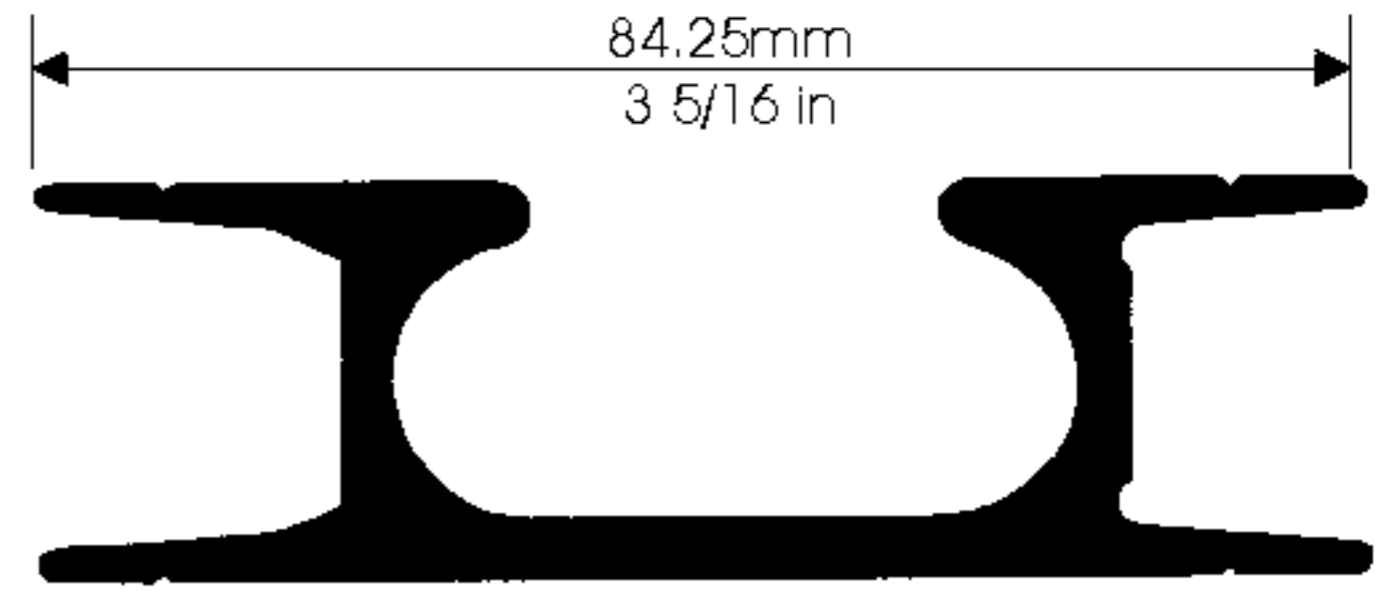
# ALUMINIUM SECTIONS - SLIDING DOORS



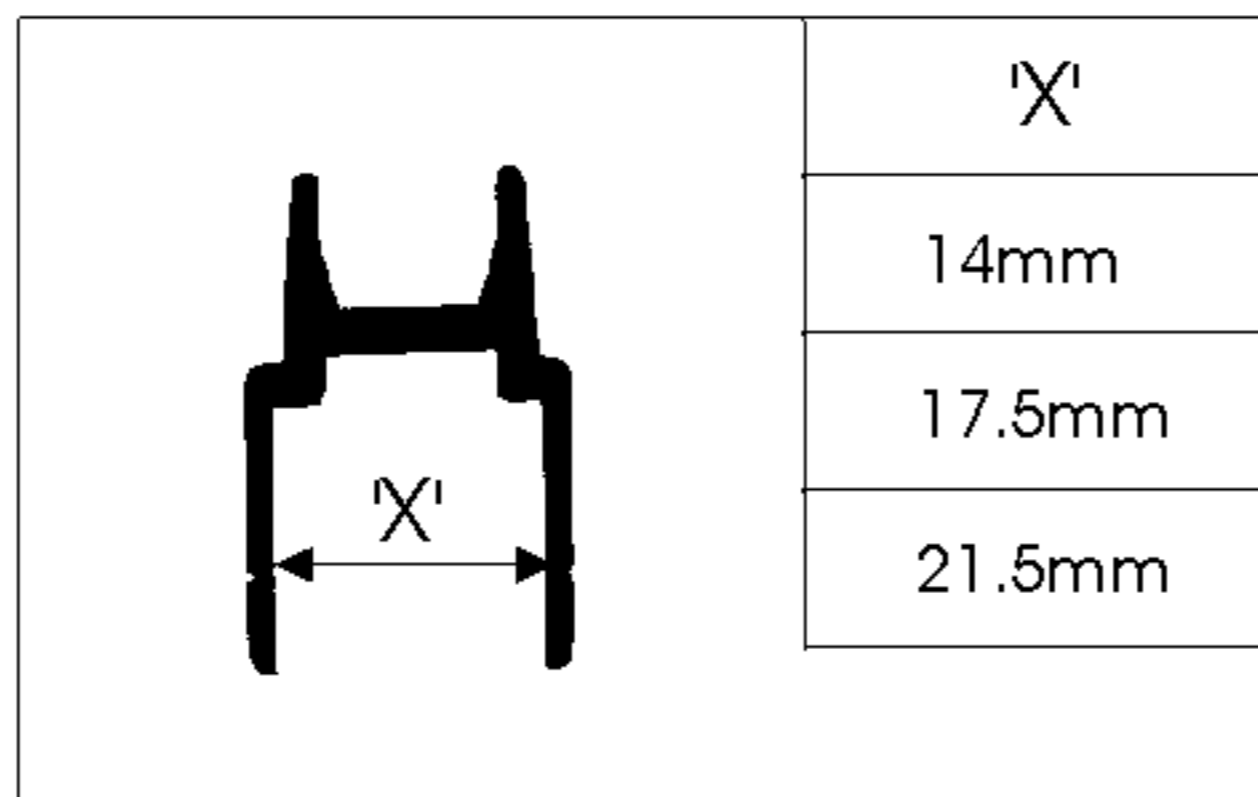
**F8 STANDARD FINGER PULL**



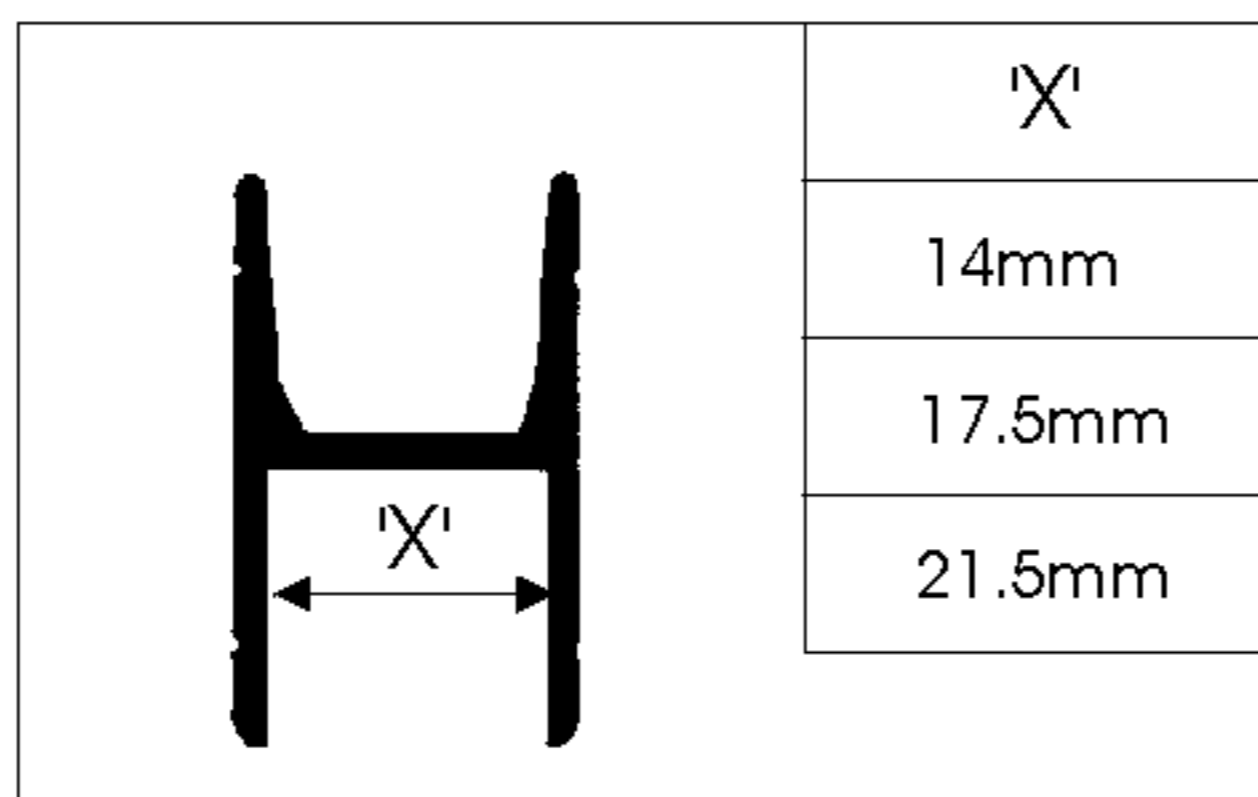
**MF6 MALE FINGER PULL**



**FF5 FEMALE FINGER PULL**

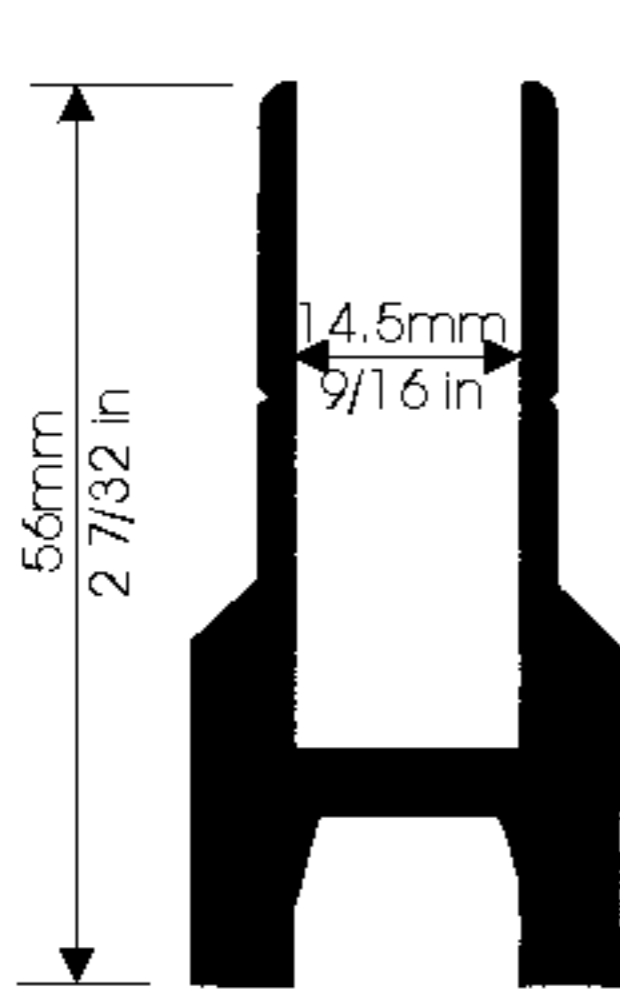


**MD8  
VERTICAL  
MALE  
CAPPING**

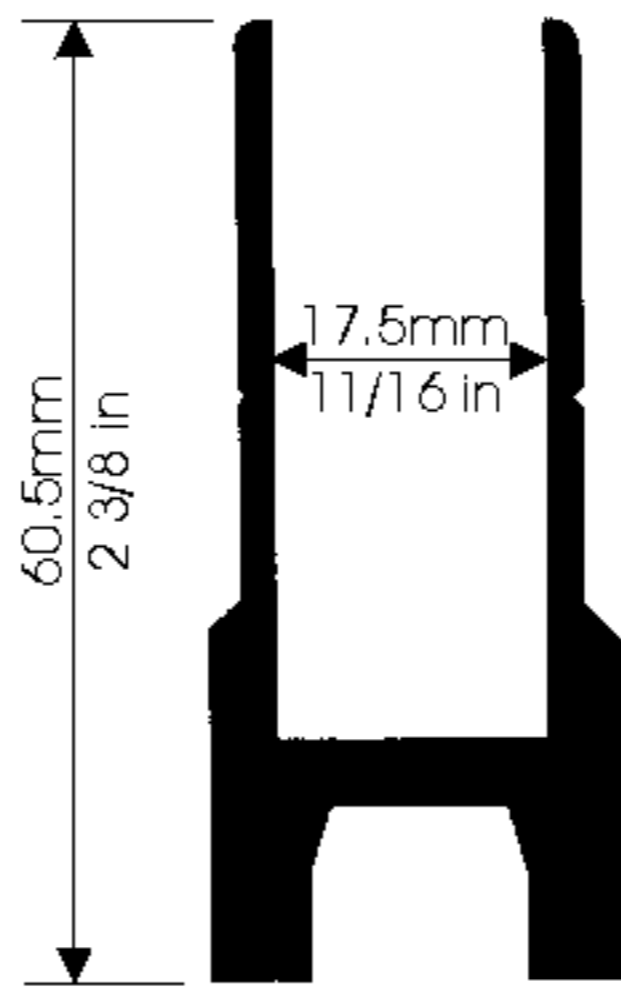


**FD9  
VERTICAL  
FEMALE  
CAPPING**

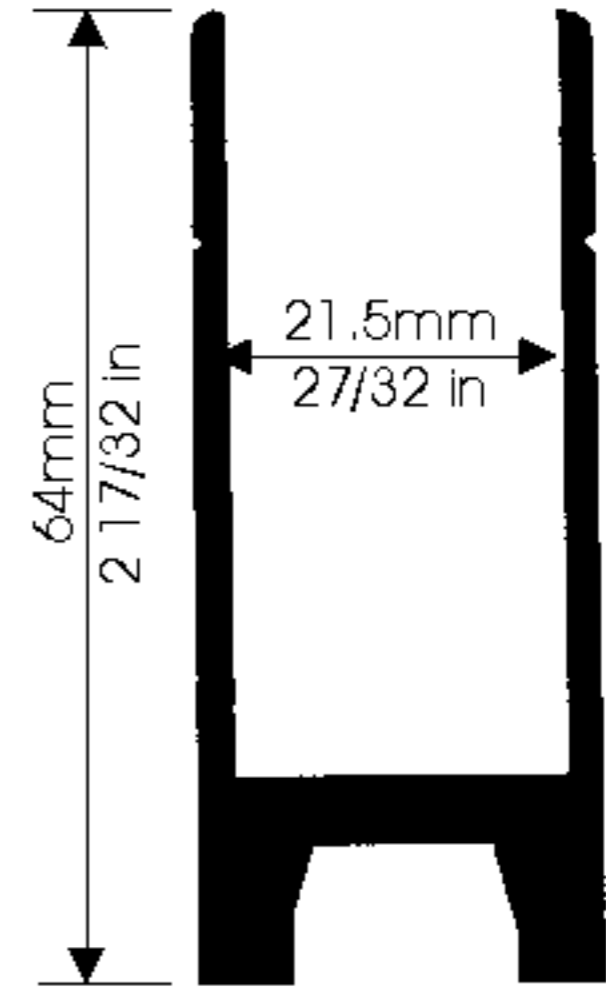
# ALUMINIUM SECTIONS - SLIDING DOORS



**H3**  
**HORIZONTAL**  
**CAPPING**

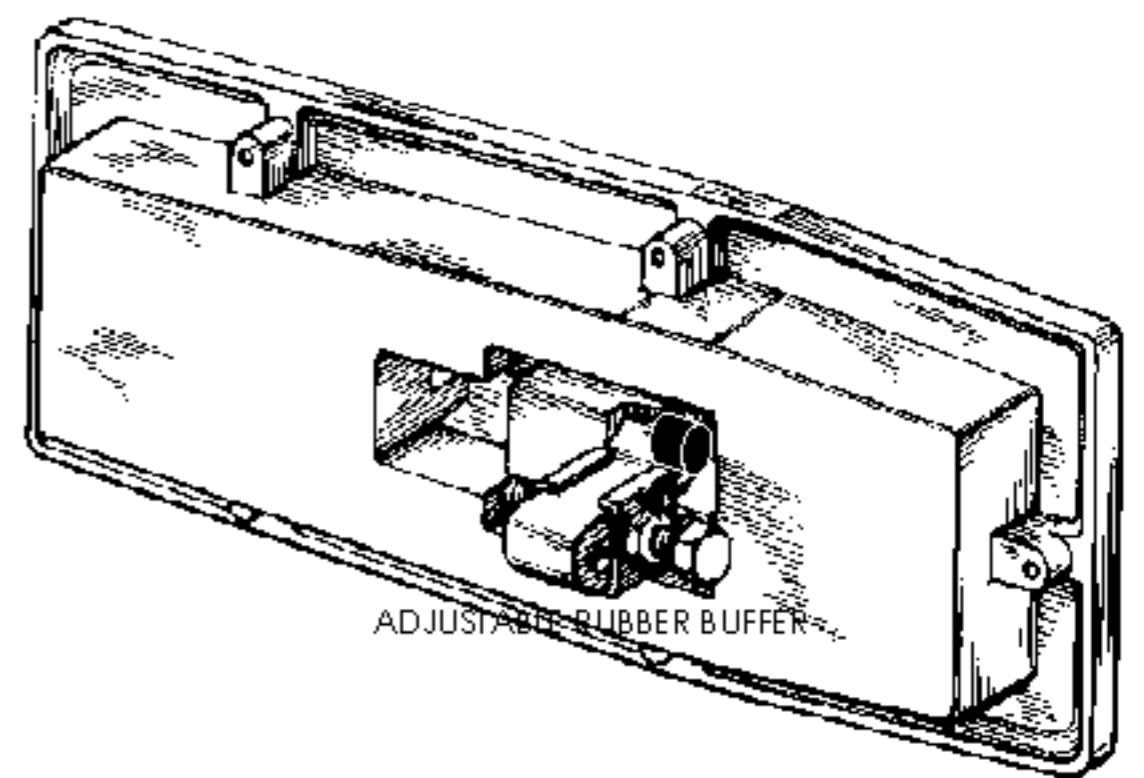
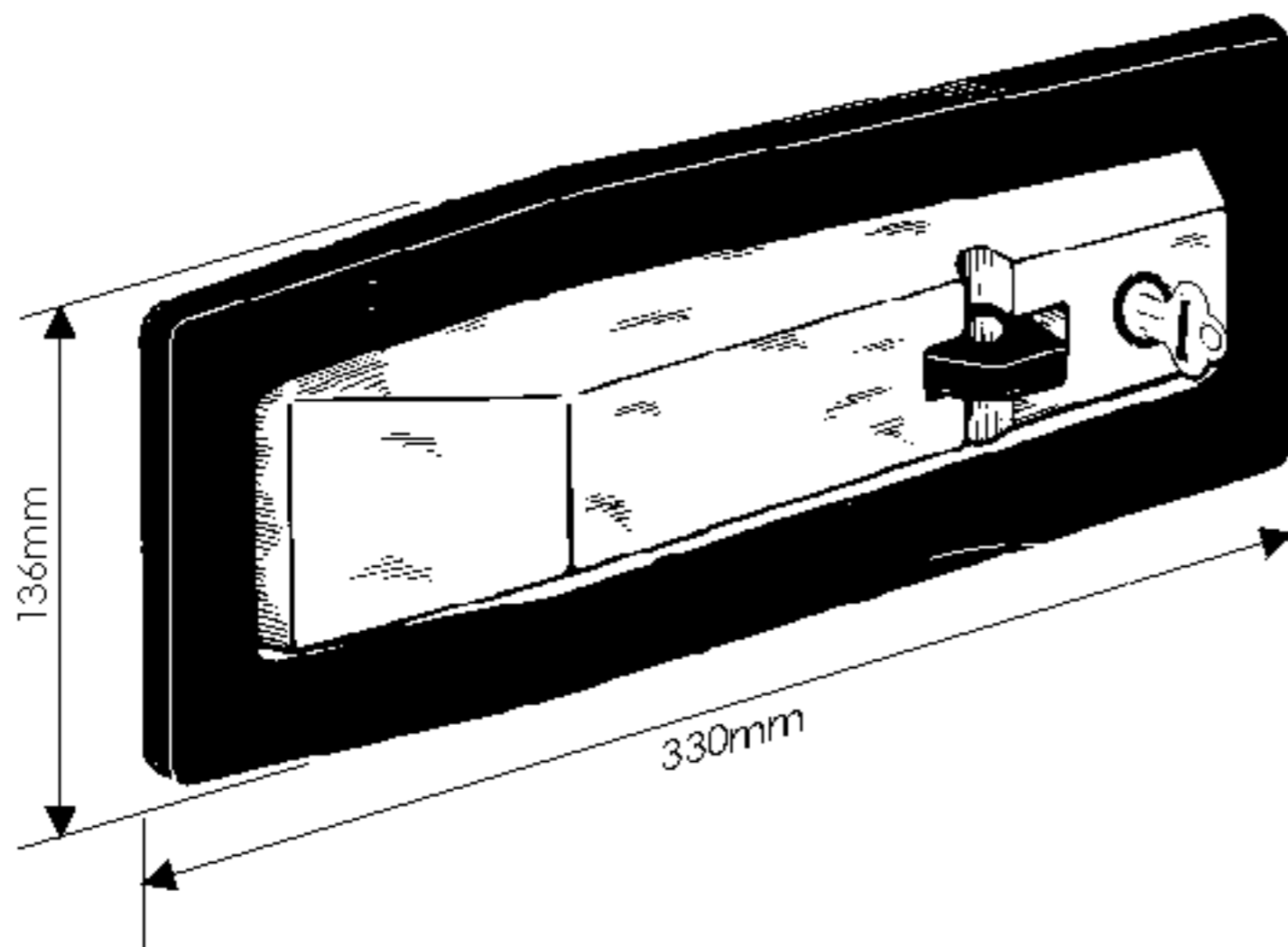


**H4**  
**HORIZONTAL**  
**CAPPING**

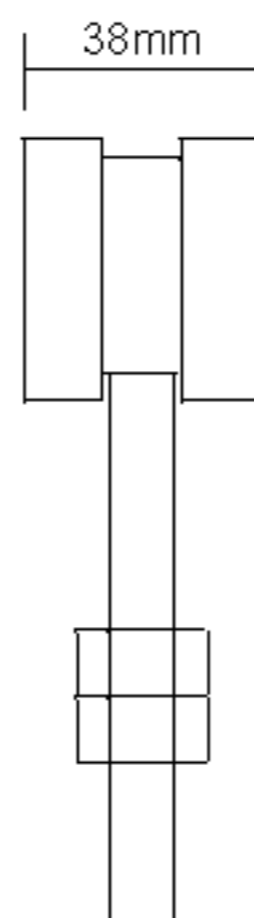
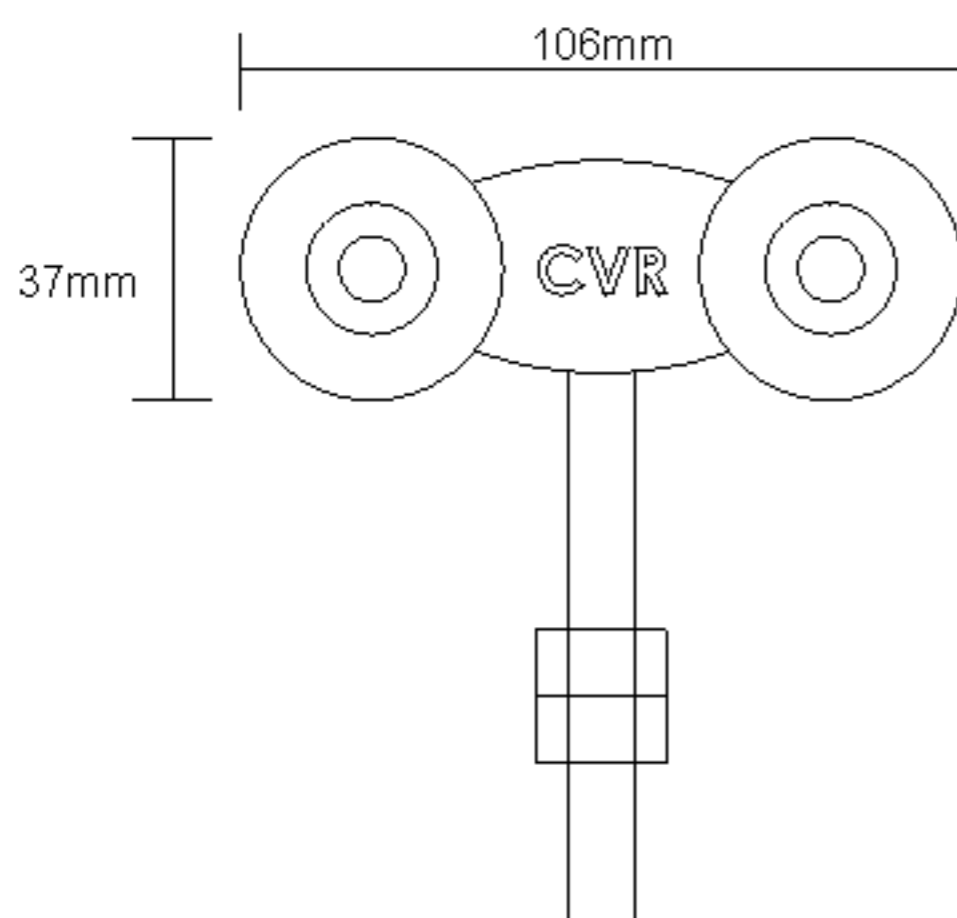


**H5**  
**HORIZONTAL**  
**CAPPING**

## CVR SLIDING DOOR LOCK



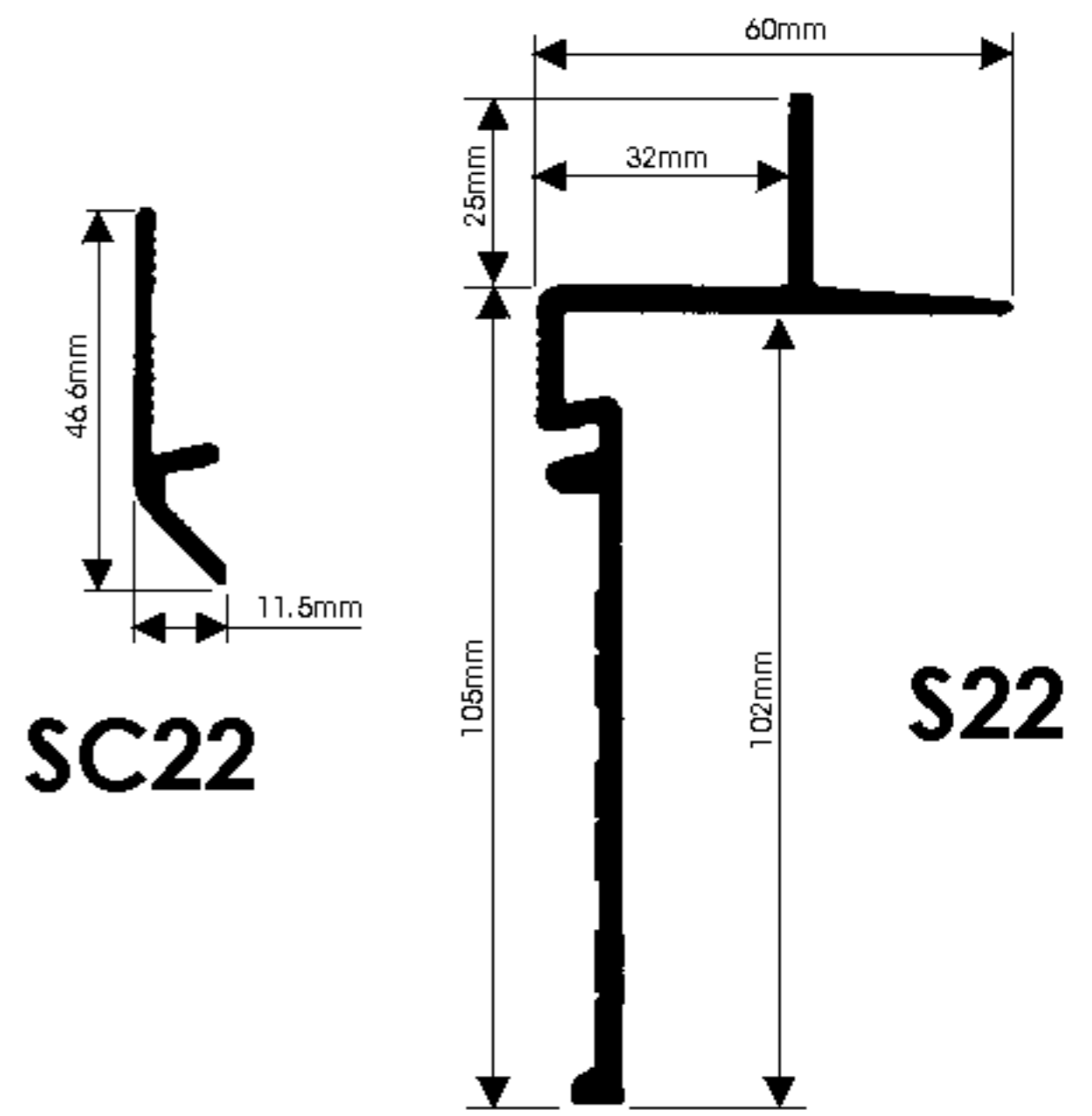
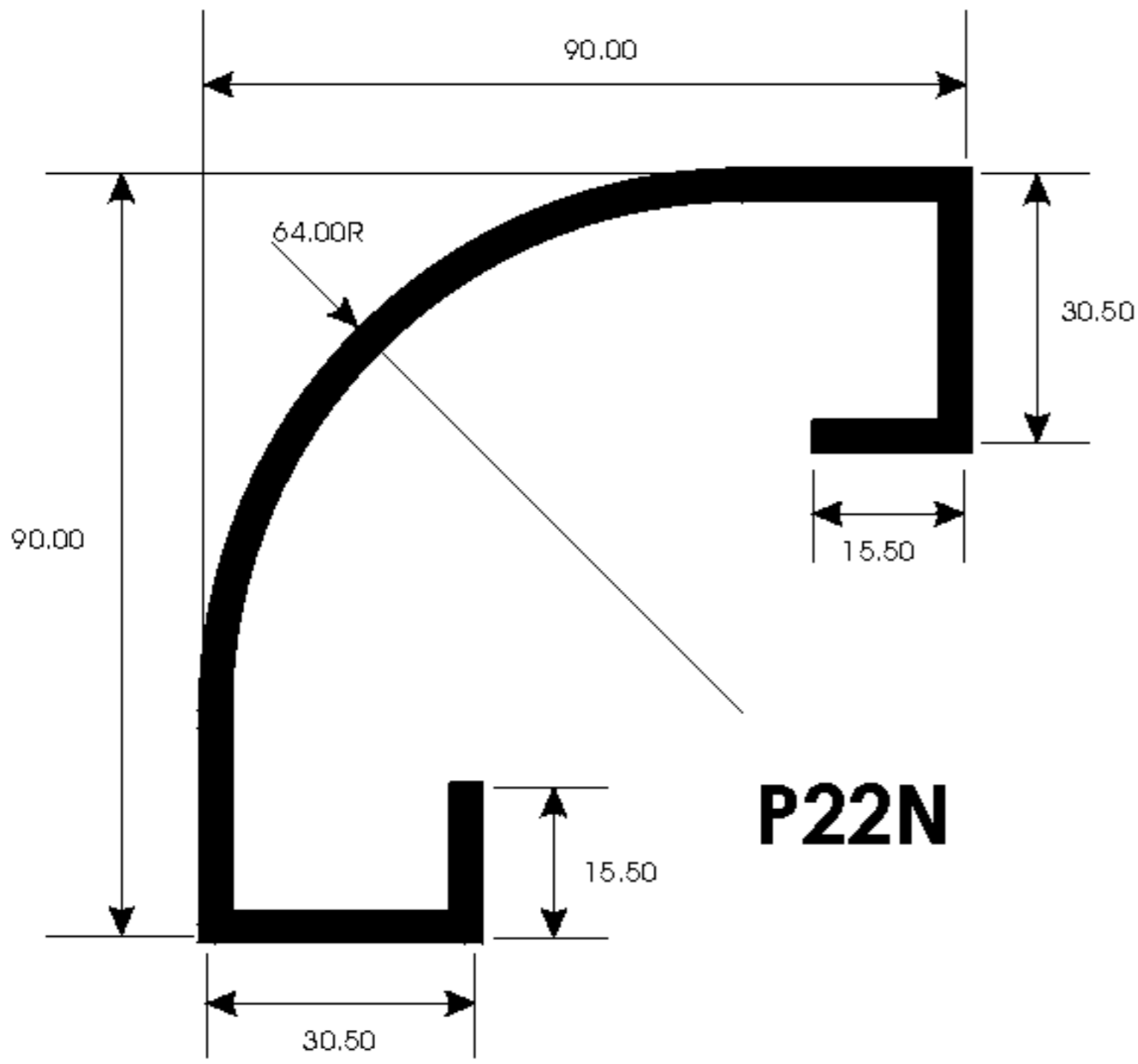
## CVR FOUR WHEEL TROLLEY



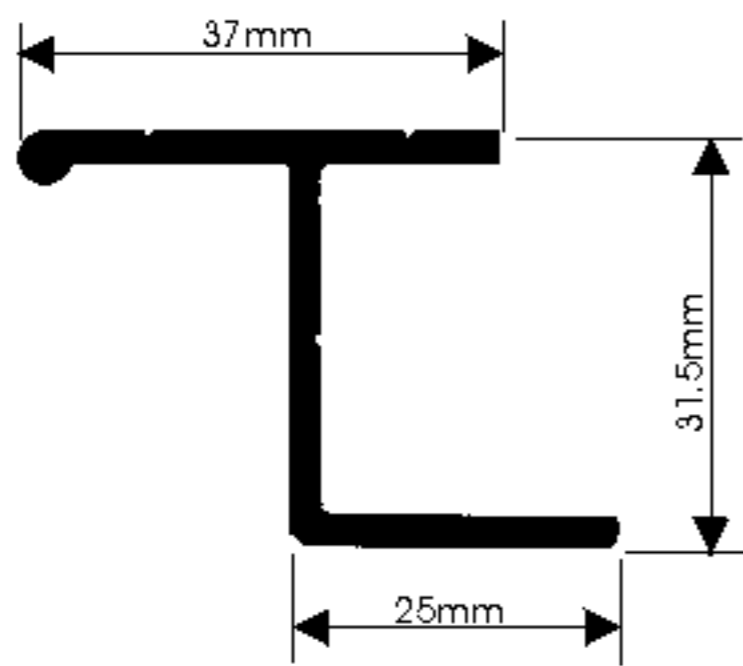
## NYLON DOOR RUBBING STRIP



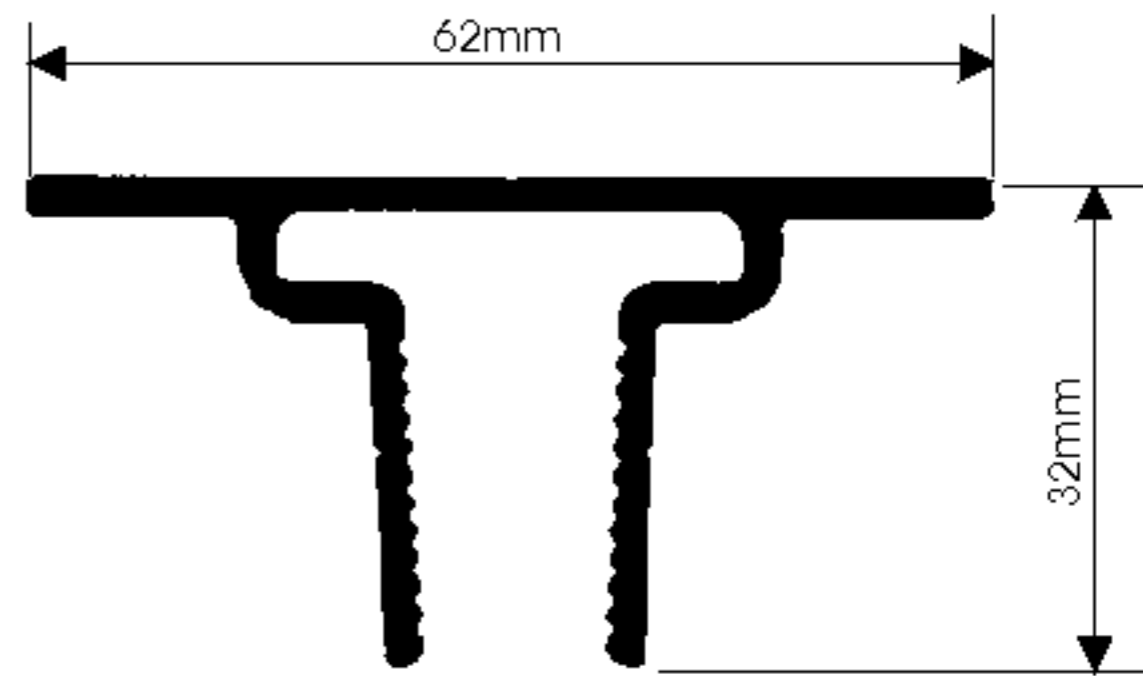
# ALUMINIUM SECTIONS - ALLOY BOX VAN



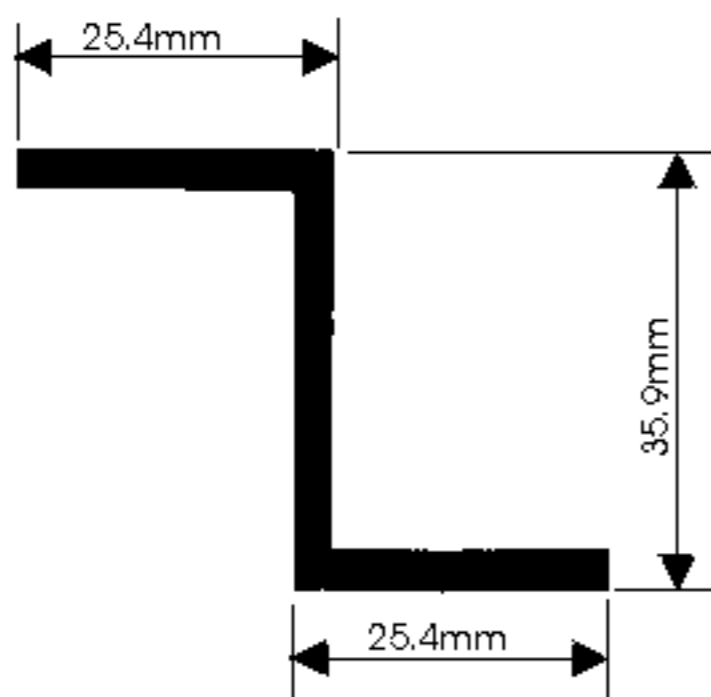
**IP22**



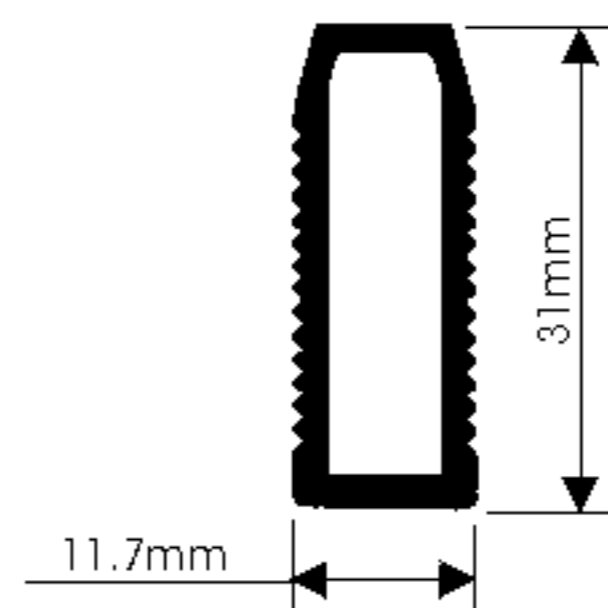
**WP22**



**Z15**



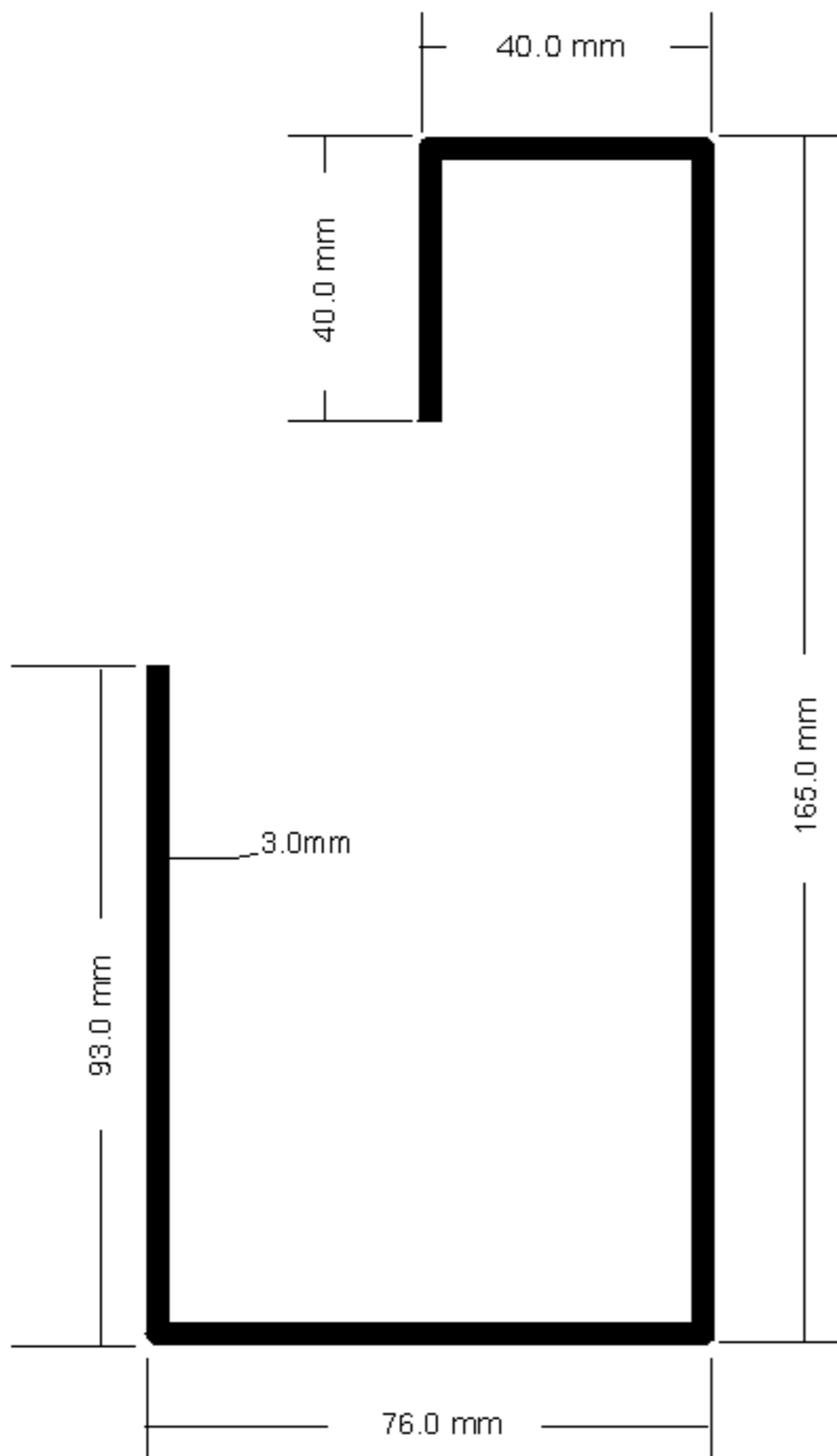
**W22**



# STEEL SECTIONS - CORNER PILLARS

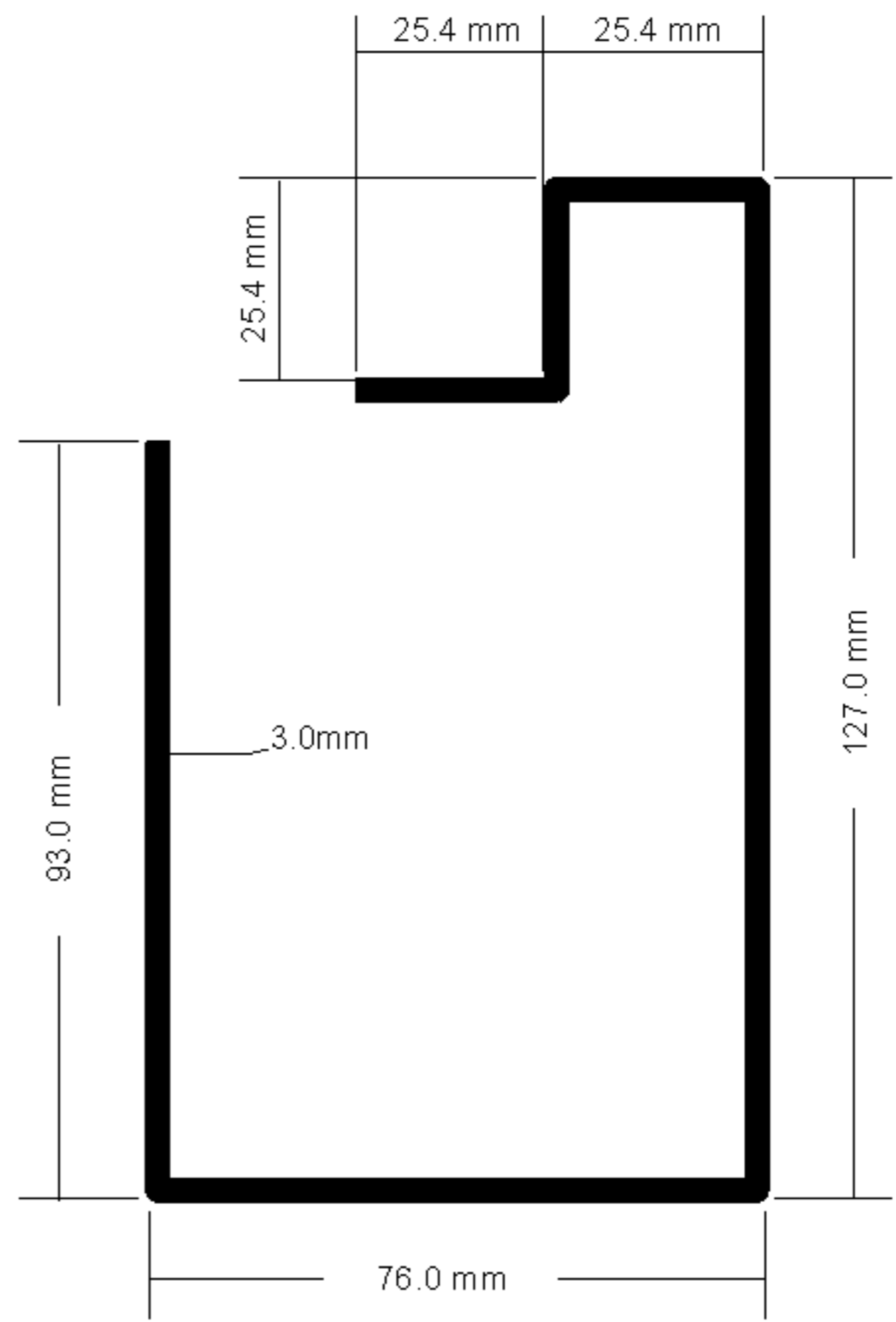
## CVP1

REAR MODULE PILLAR FOR WIDE LATH SHUTTER



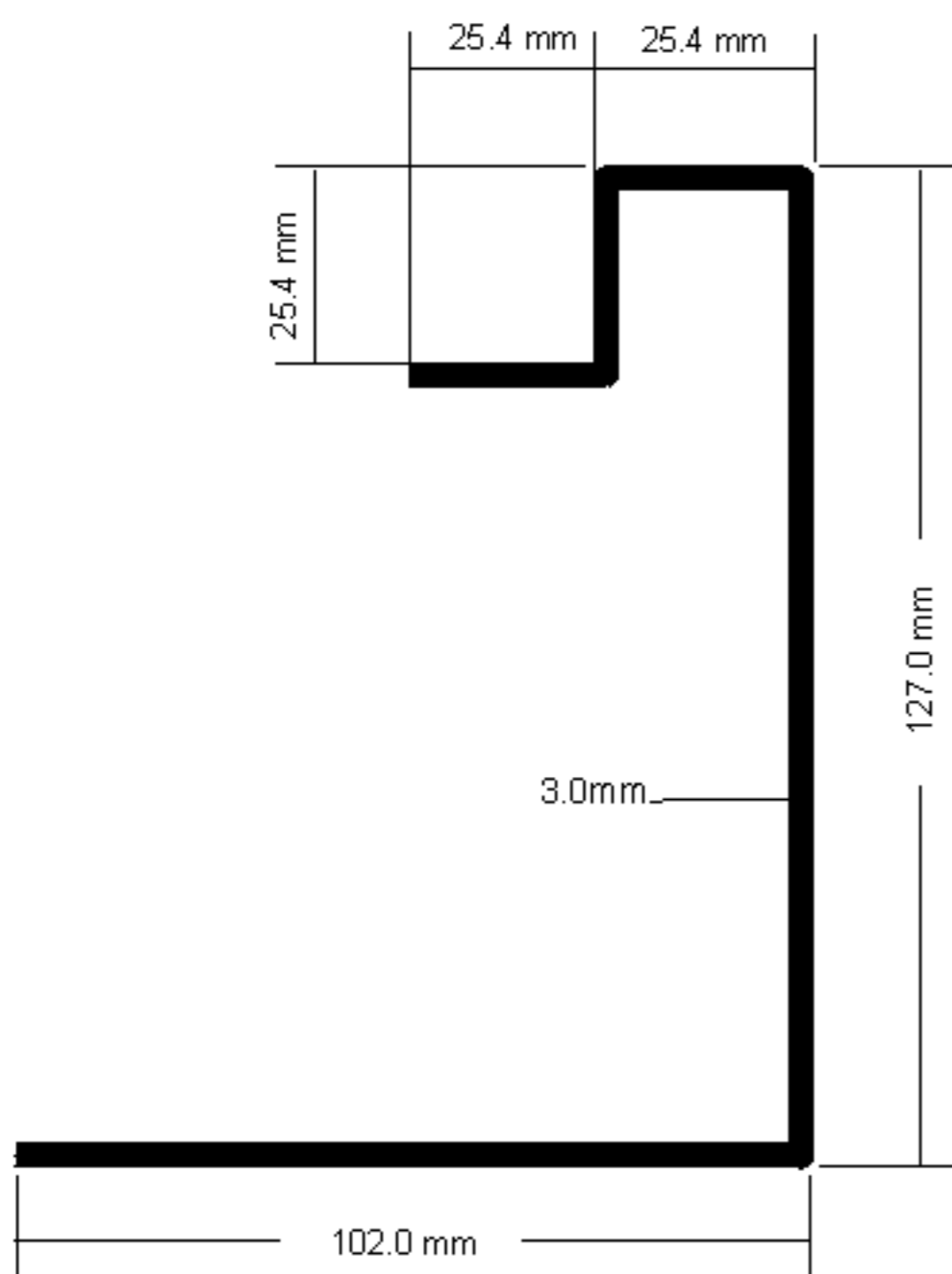
## CVP2

REAR MODULE PILLAR FOR ROLLER SHUTTER



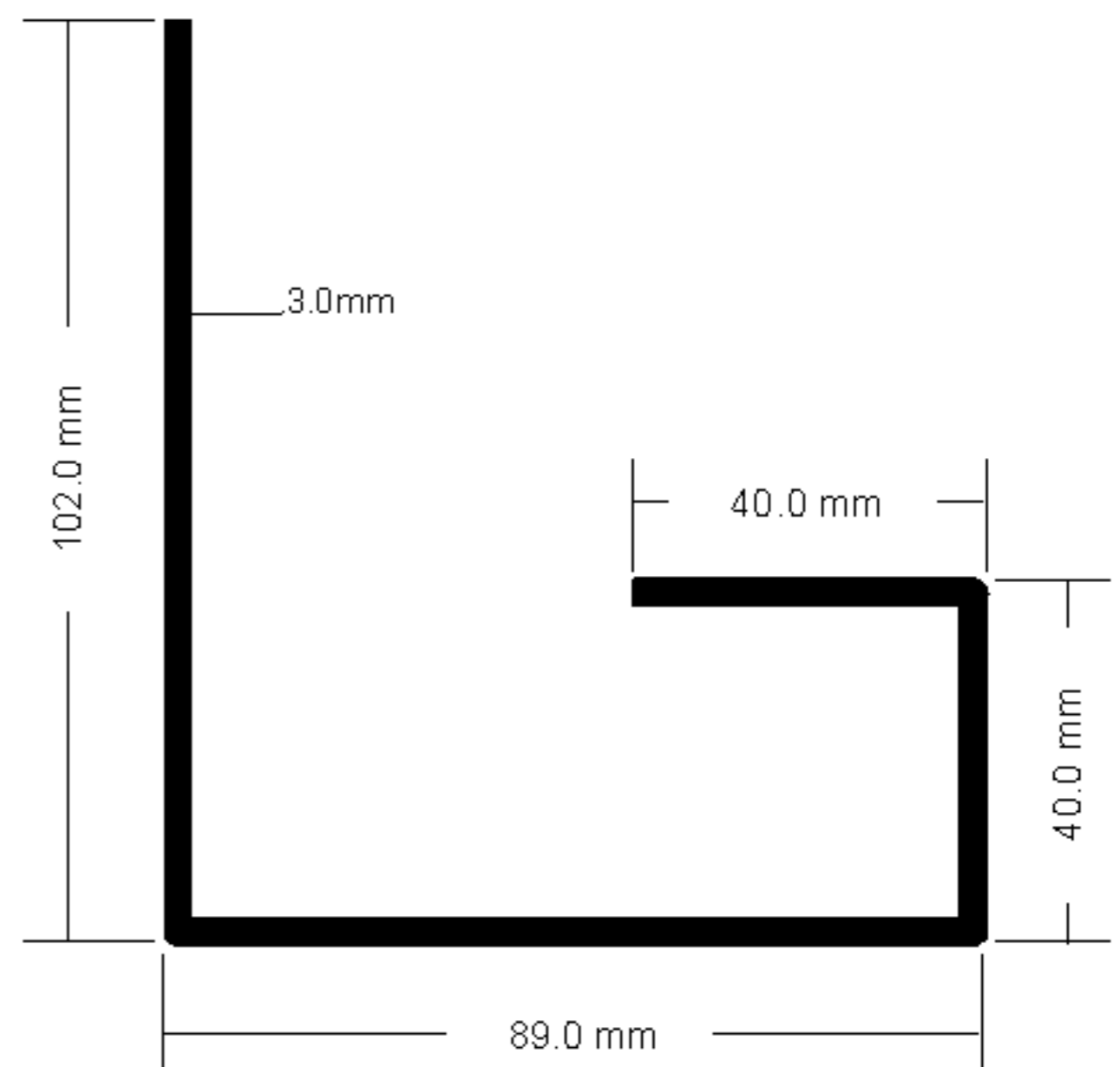
## CVP3

REAR PILLAR FOR ROLLER SHUTTER



## CVP4

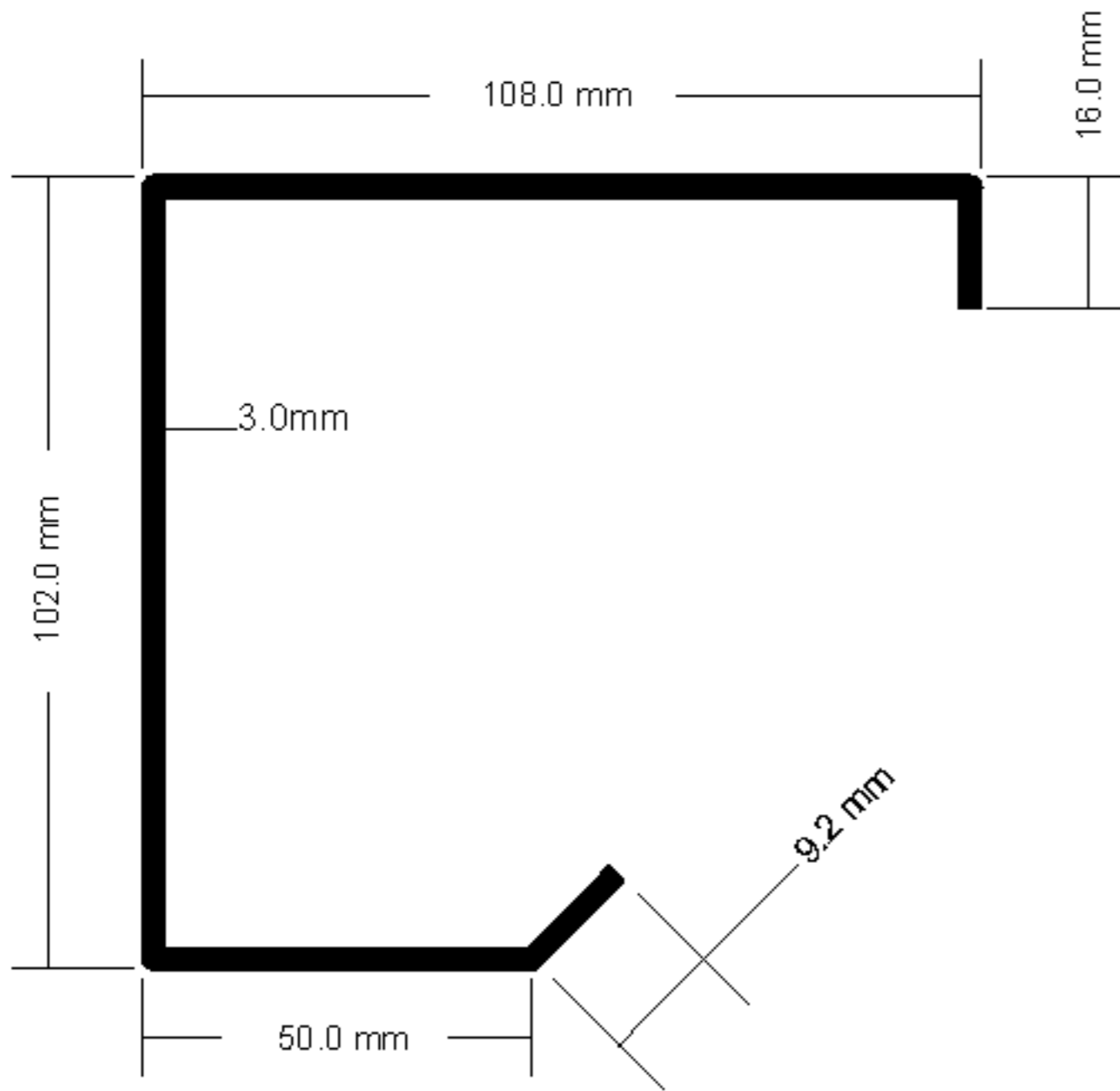
REAR PILLAR FOR DOORS OR WIDE LATH SHUTTER



# STEEL SECTIONS - REAR BEARERS

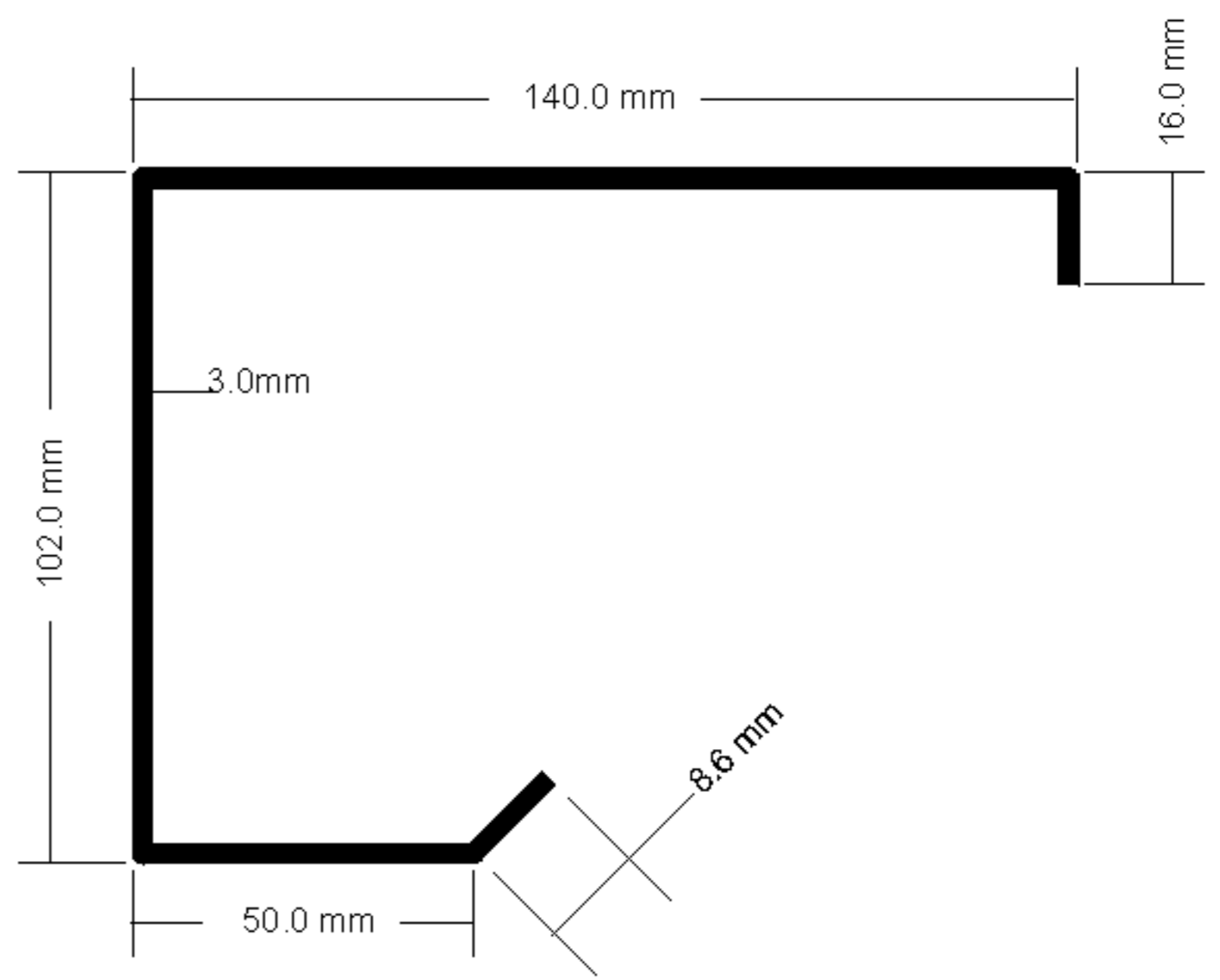
## CVB11

REAR BEARER FOR DOORS OR WIDE LATH SHUTTER



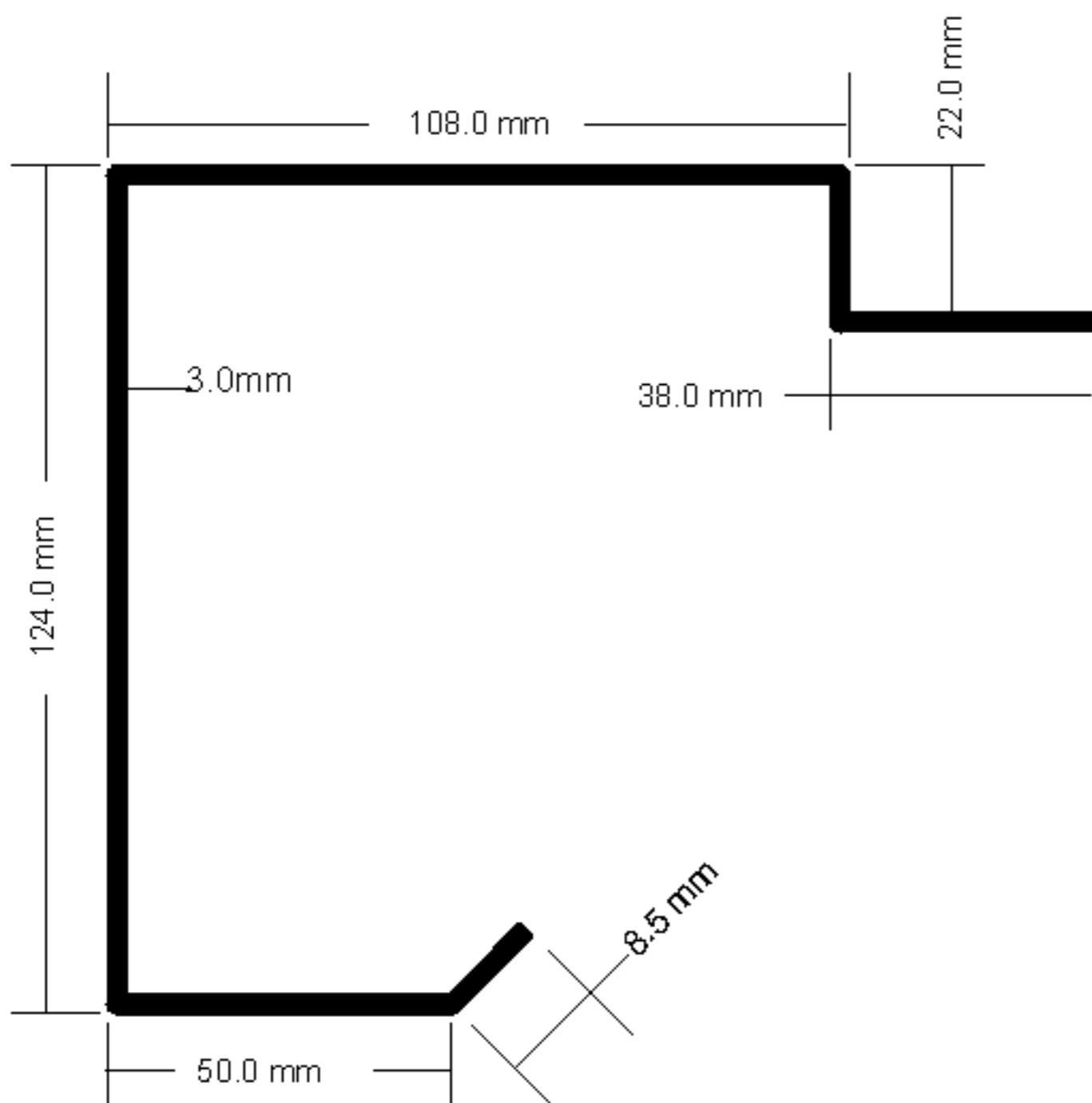
## CVB12

REAR BEARER FOR DOORS OR WIDE LATH SHUTTER



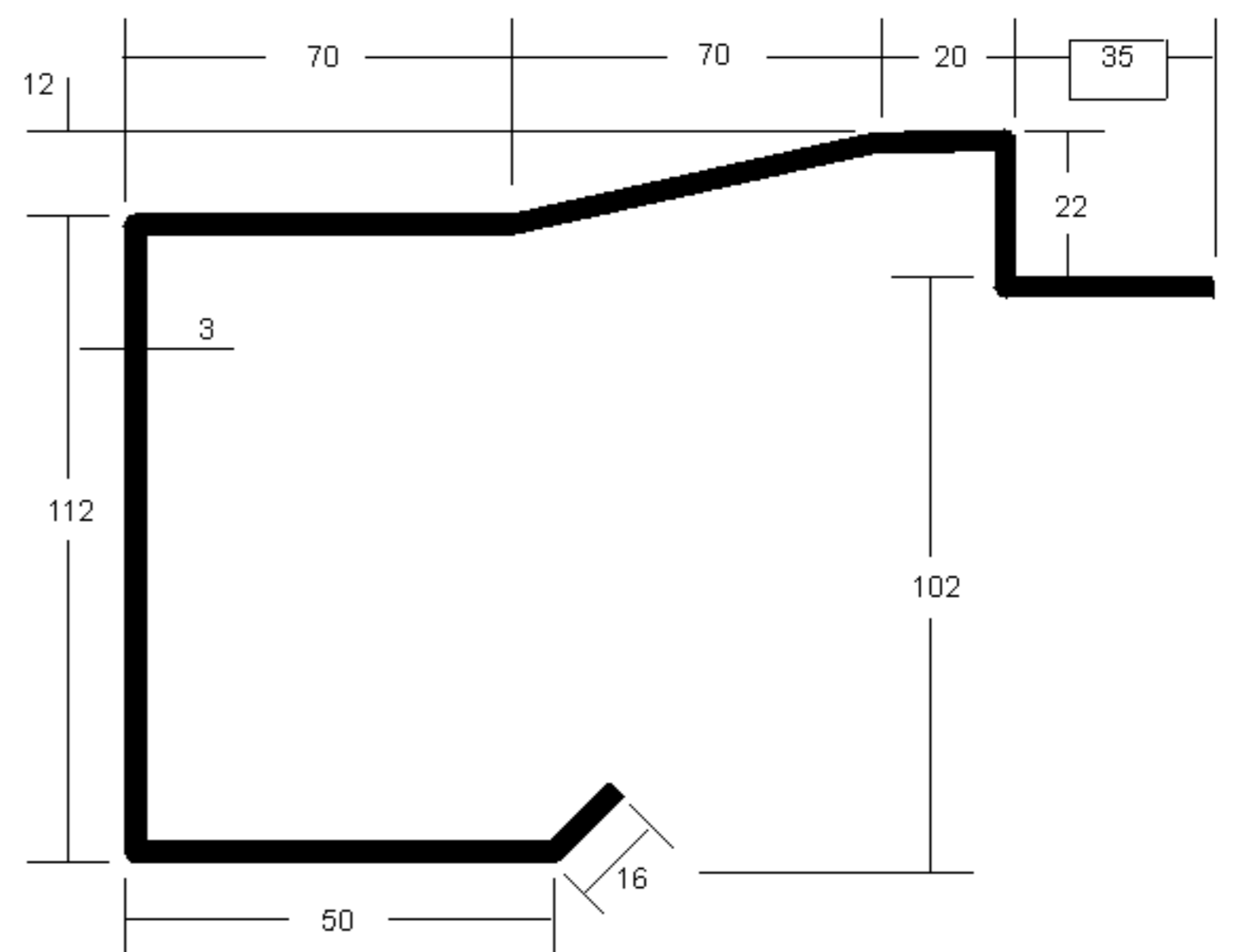
## CVB13

REAR BEARER FOR WIDE LATH SHUTTER & T/LIFT



## CVB13A

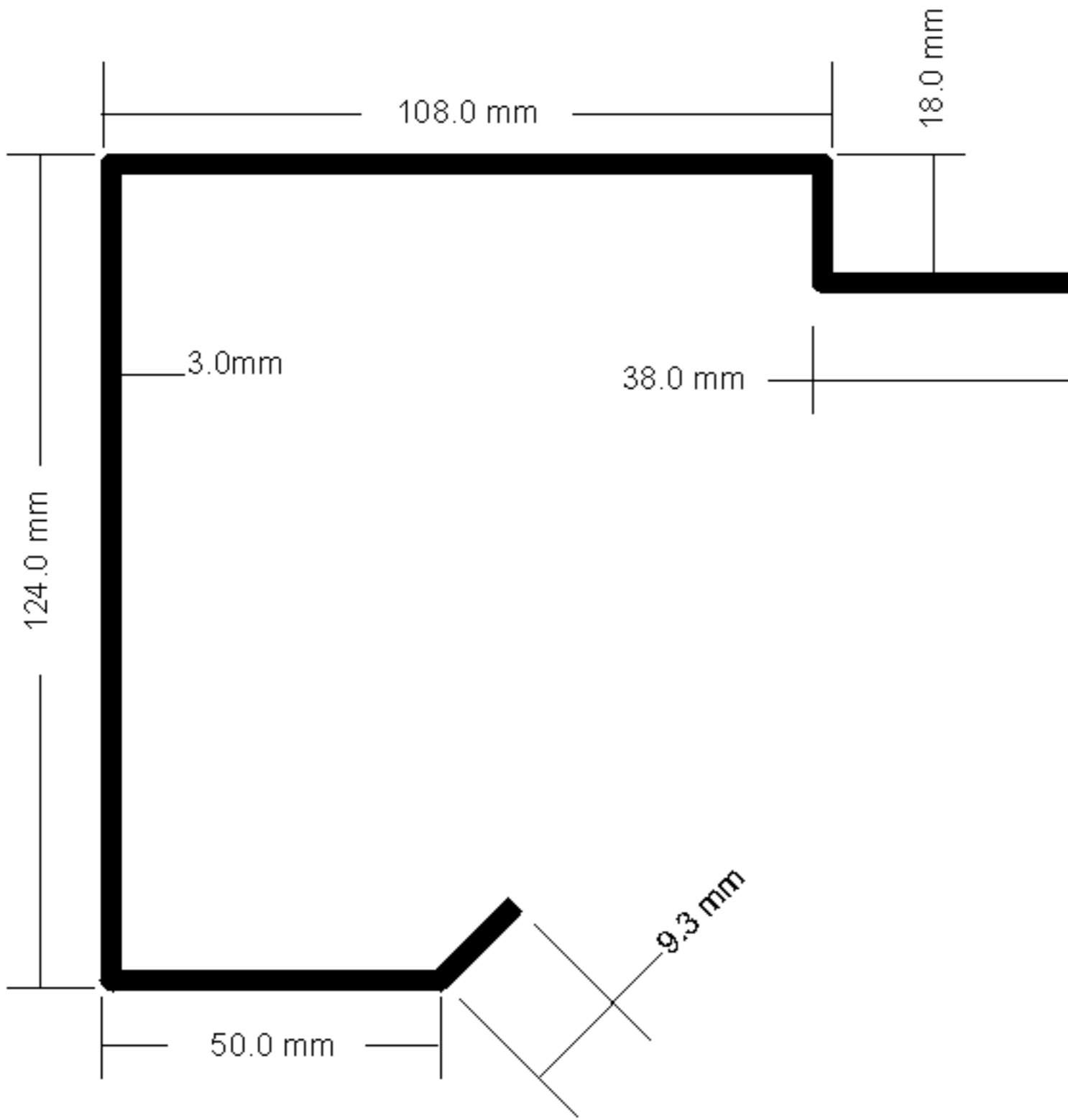
REAR BEARER TO ACCEPT WIDE LATH SHUTTER AND TAIL LIFT



# STEEL SECTIONS - REAR BEARERS

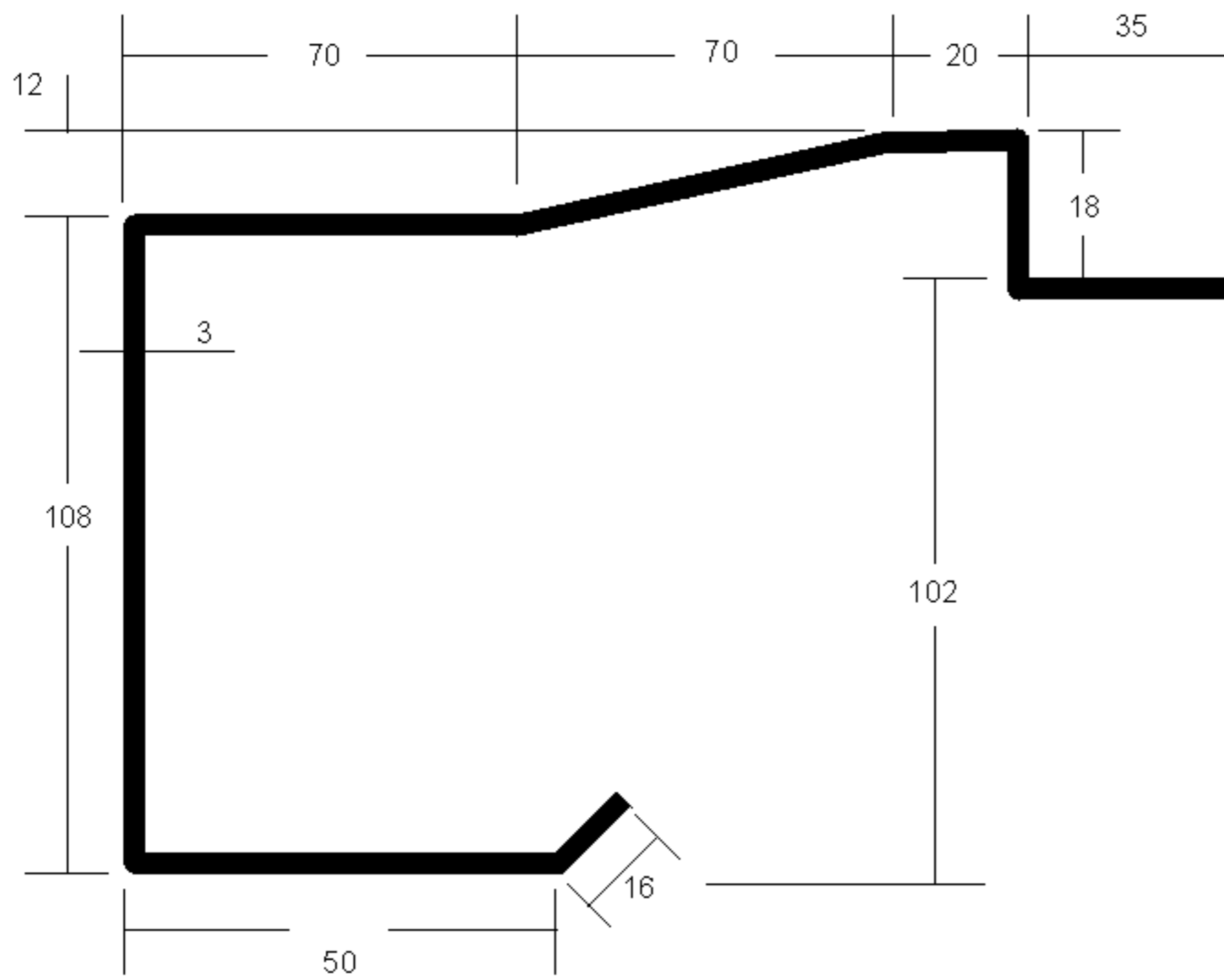
## CVB14

REAR BEARER FOR WIDE LATH SHUTTER & T/LIFT



## CVB14A

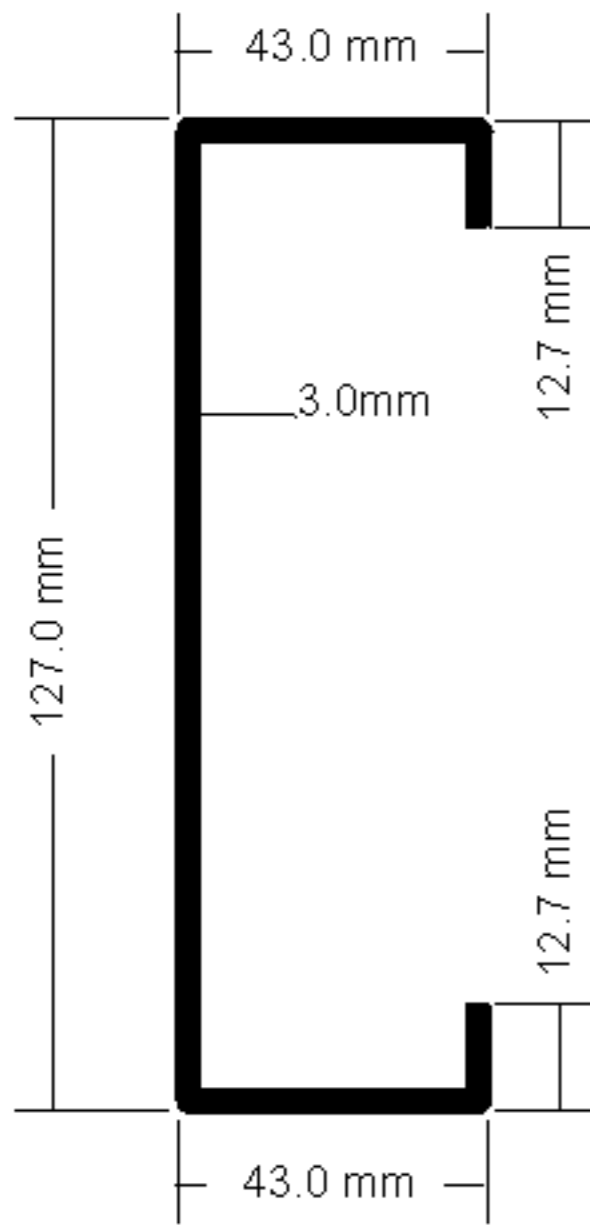
REAR BEARER TO ACCEPT WIDE LATH SHUTTER AND TAIL LIFT



# STEEL SECTIONS - REAR HEADERS

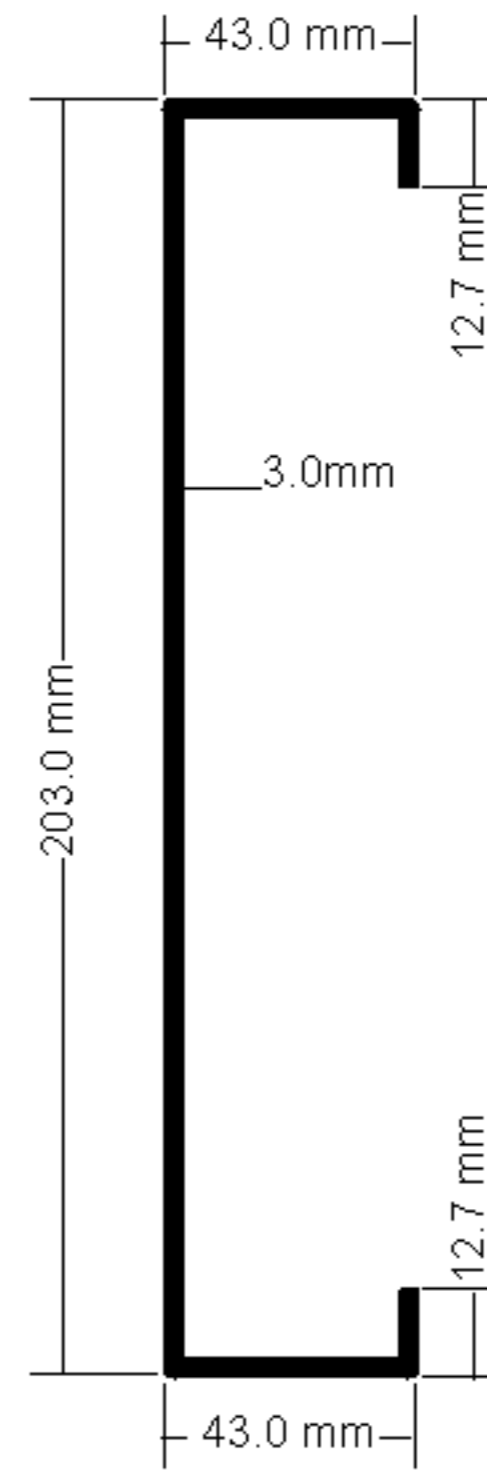
## CVH16A

REAR HEADER FOR DOUBLE DOORS



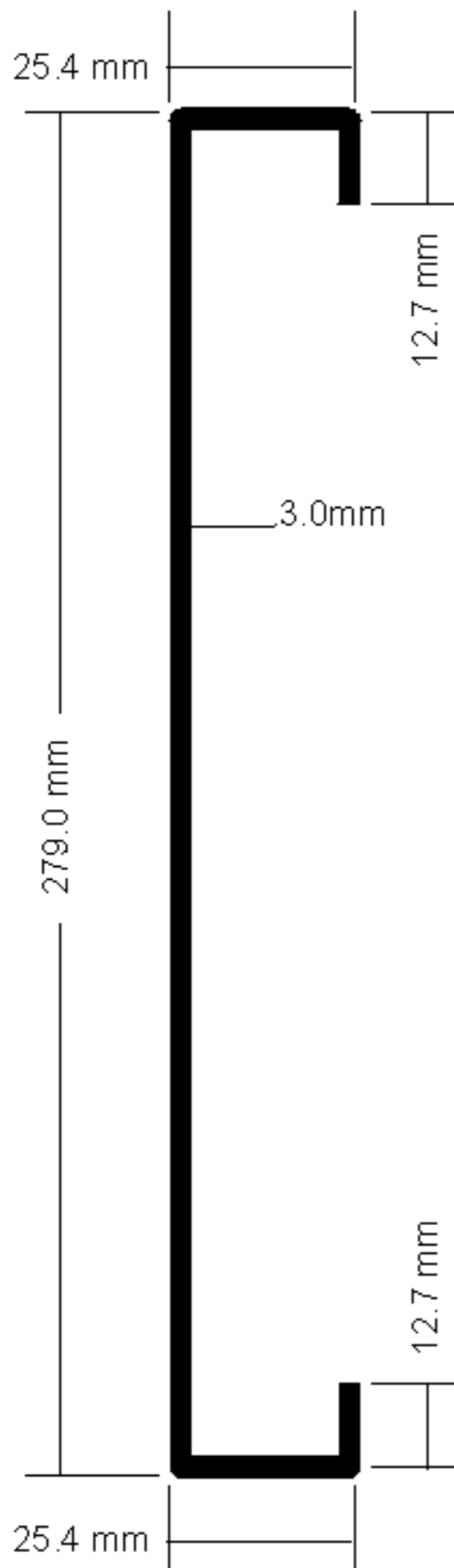
## CVH16B

REAR HEADER FOR WIDE LATH SHUTTER



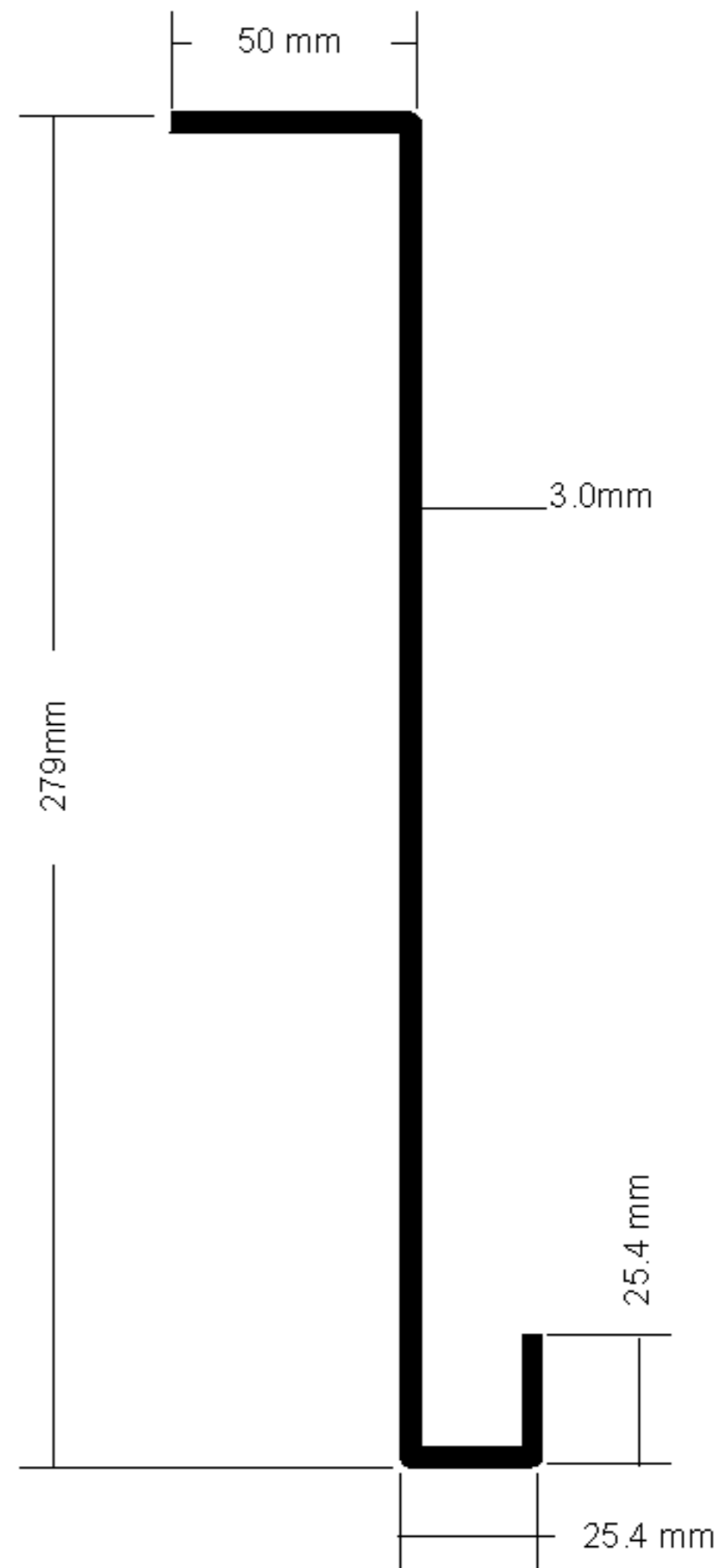
## CVH17

REAR HEADER FOR ROLLER SHUTTER



## CVH17A

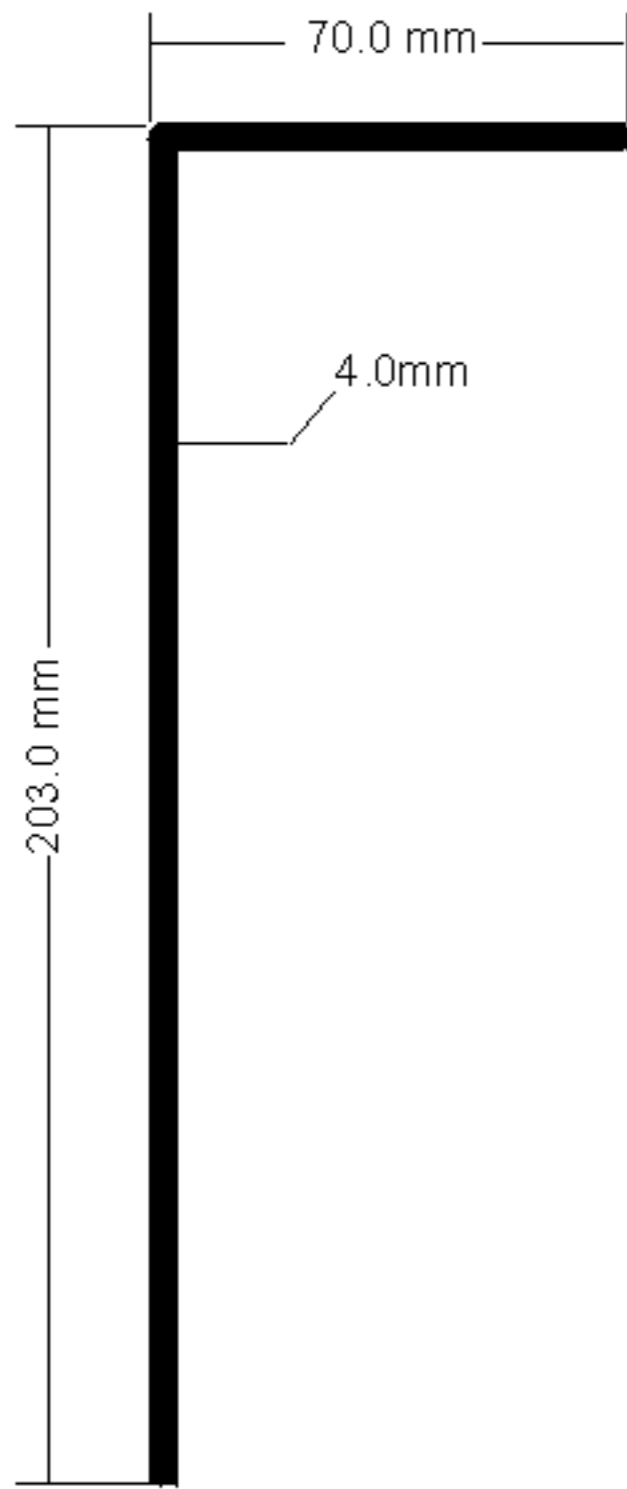
REAR HEADER FOR FLUSH FITTING ROLLER SHUTTER



# STEEL SECTIONS - CURTAINSIDERS

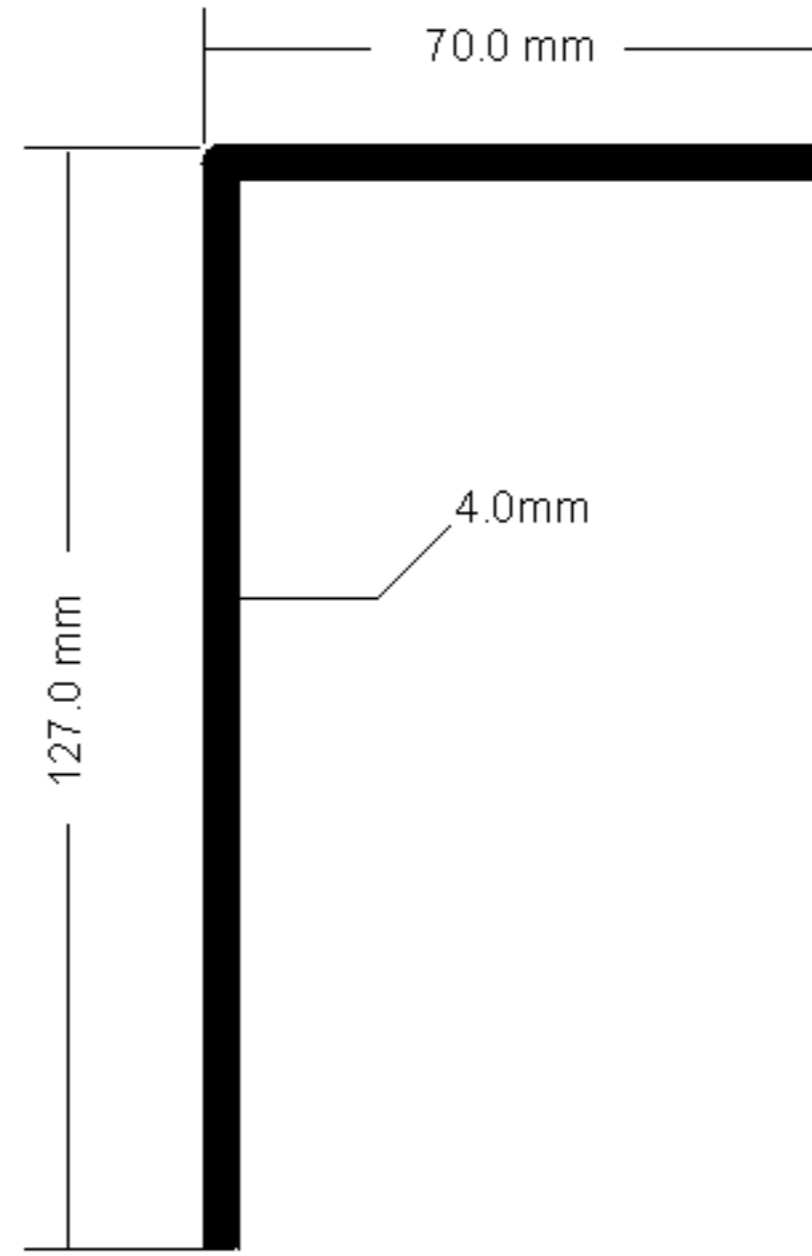
## RS1

ROOF SUPPORT ANGLE  
(AVAILABLE STRAIGHT OR BOWED)



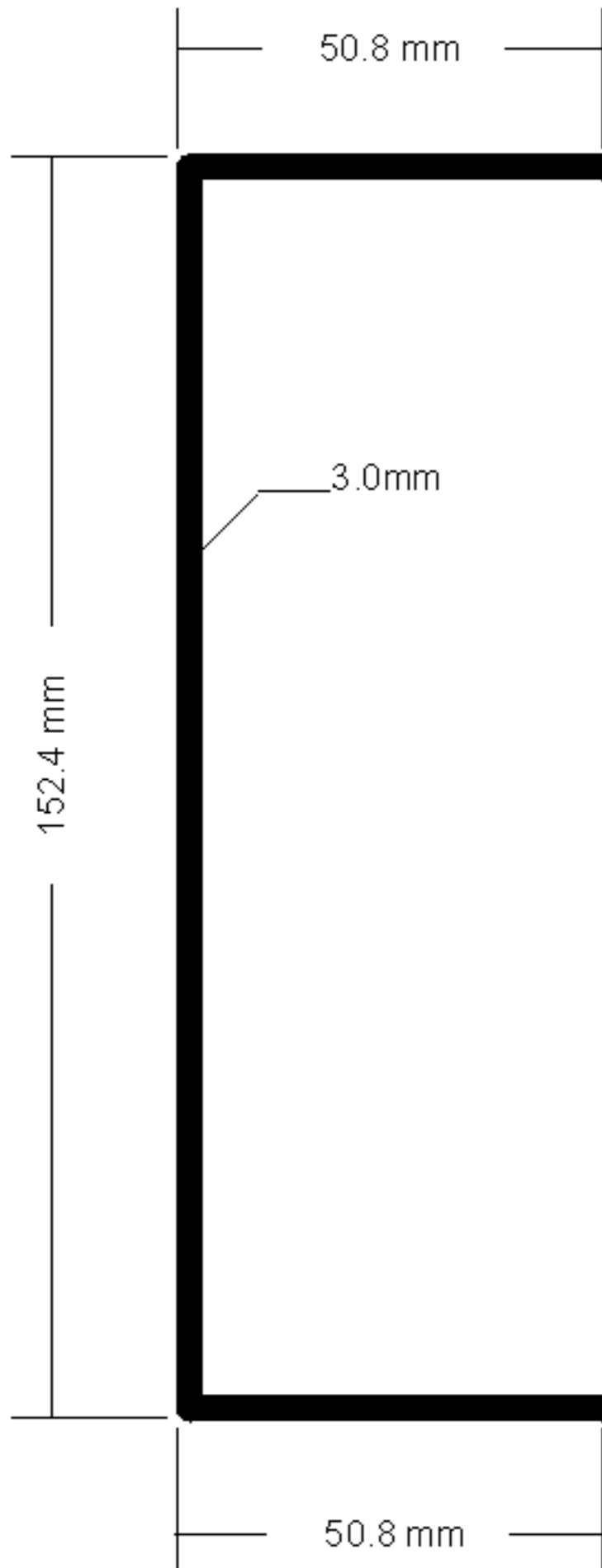
## RS2

ROOF SUPPORT ANGLE  
(AVAILABLE STRAIGHT OR BOWED)



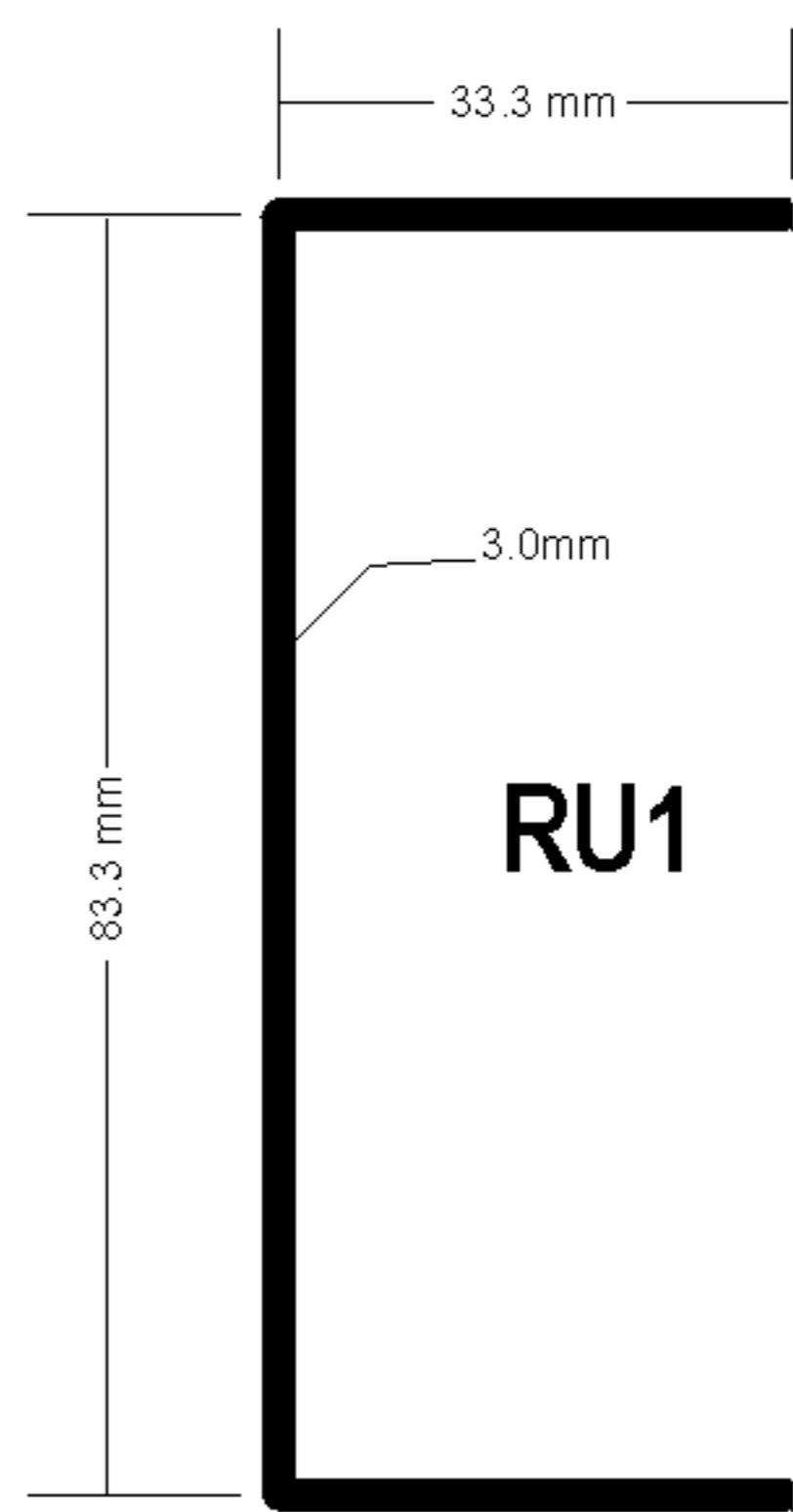
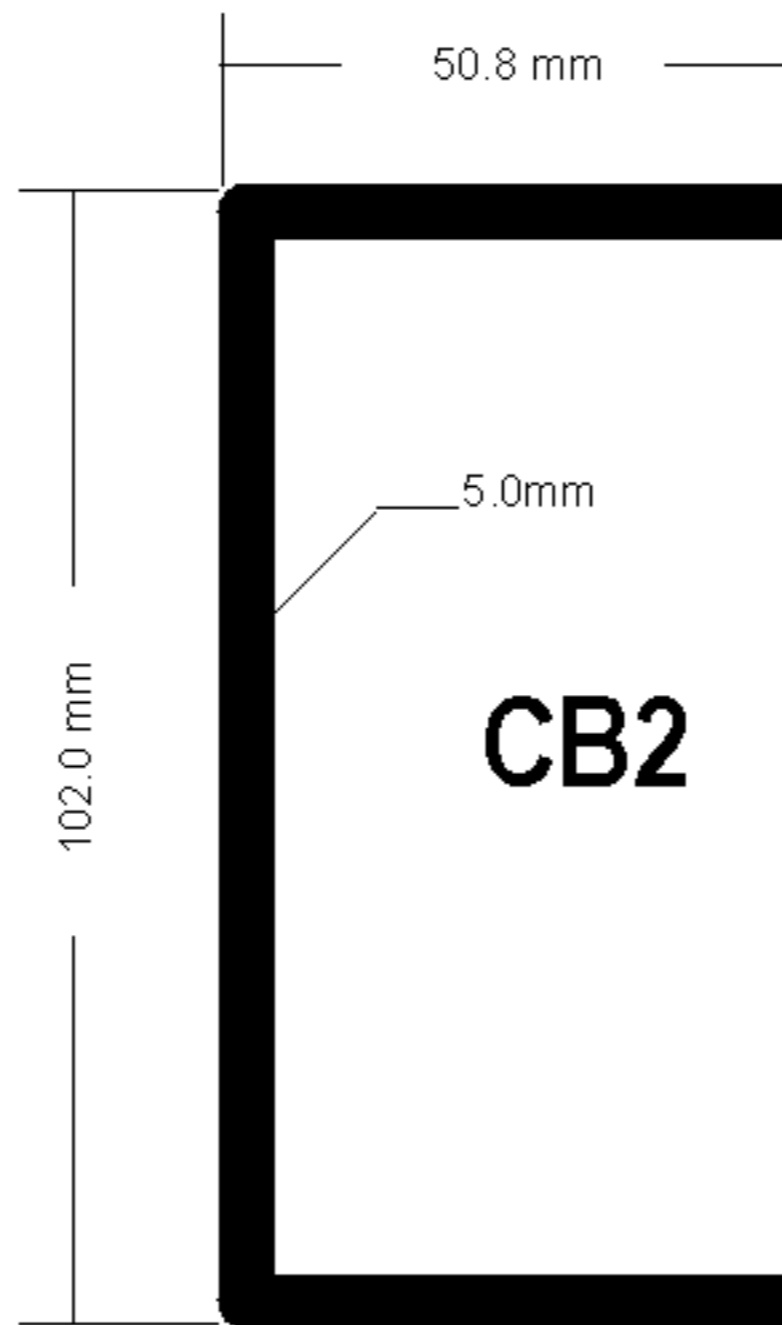
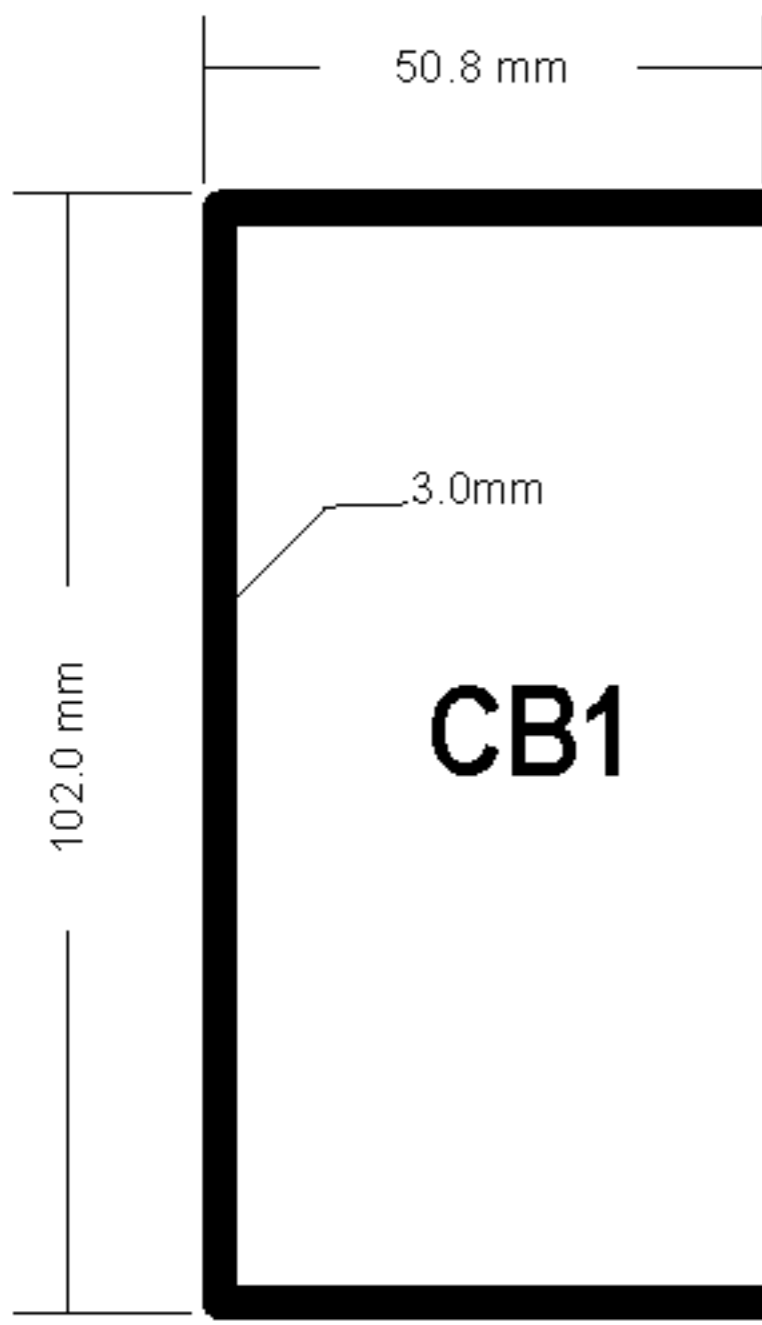
## SR1

CURTAINSIDER SIDE RAVE

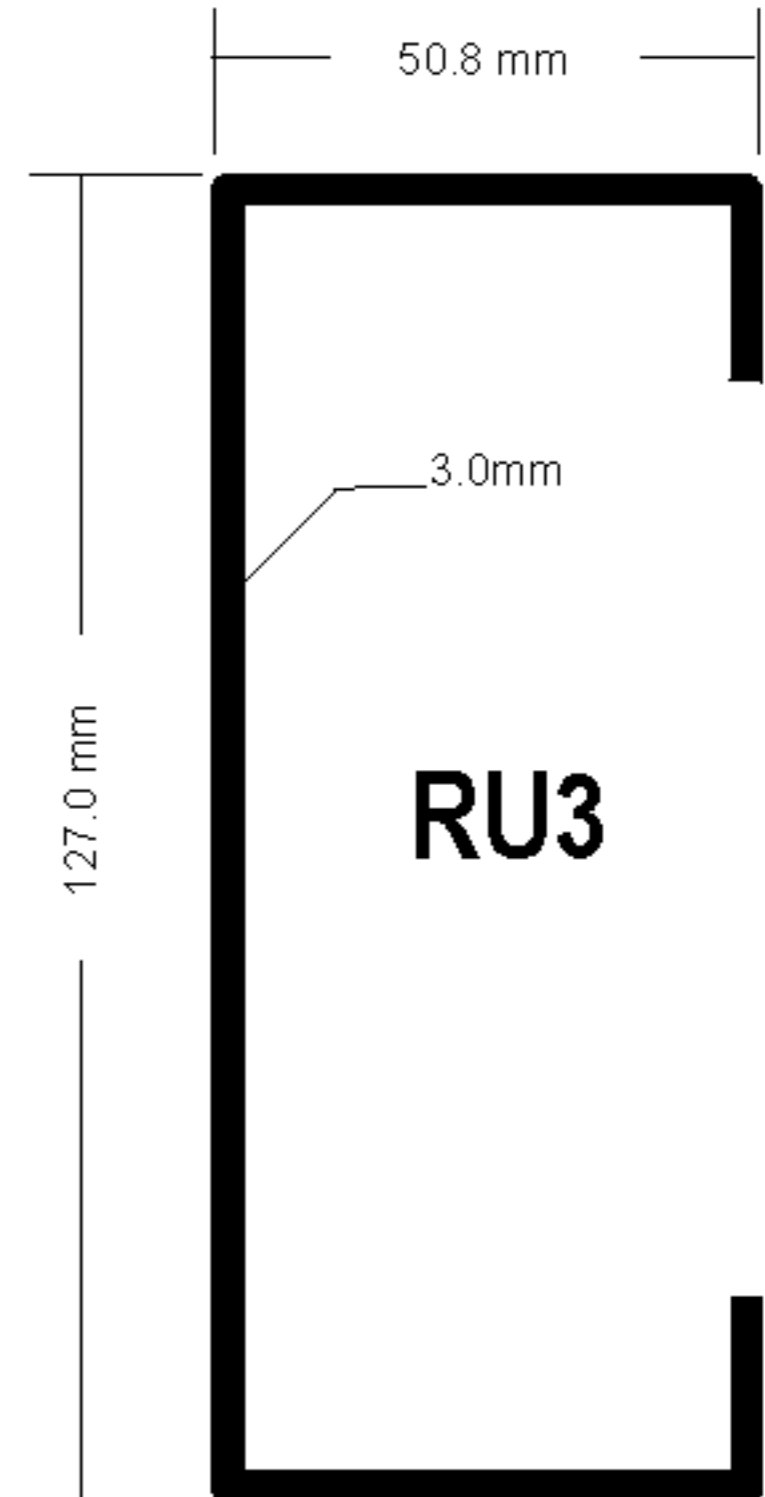
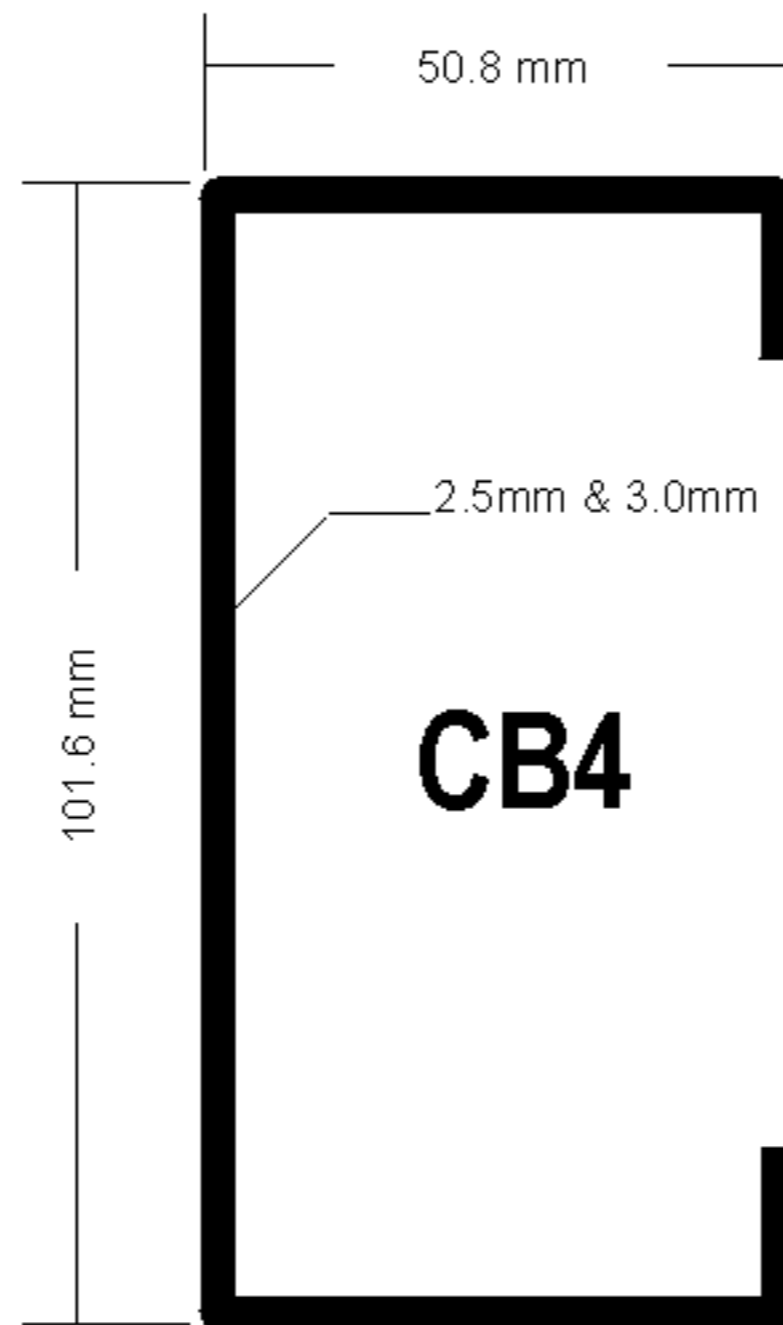
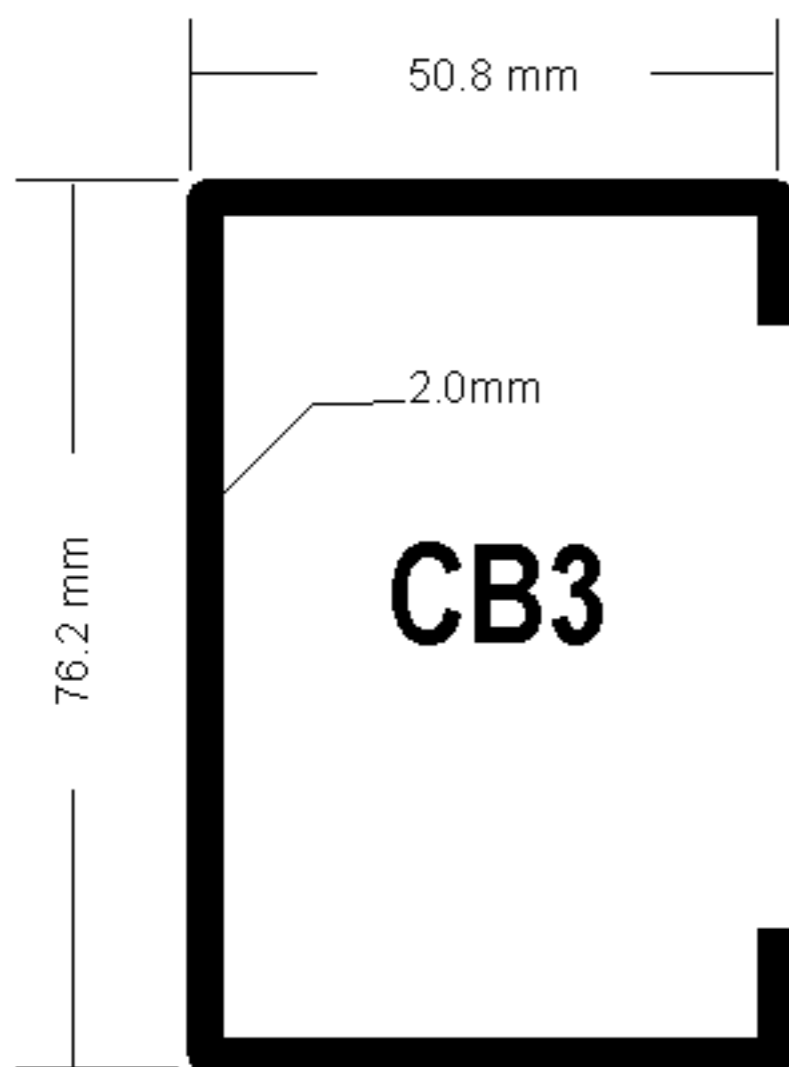


# STEEL SECTIONS - CHANNELS

## PLAIN CROSSBEARERS / RUNNERS

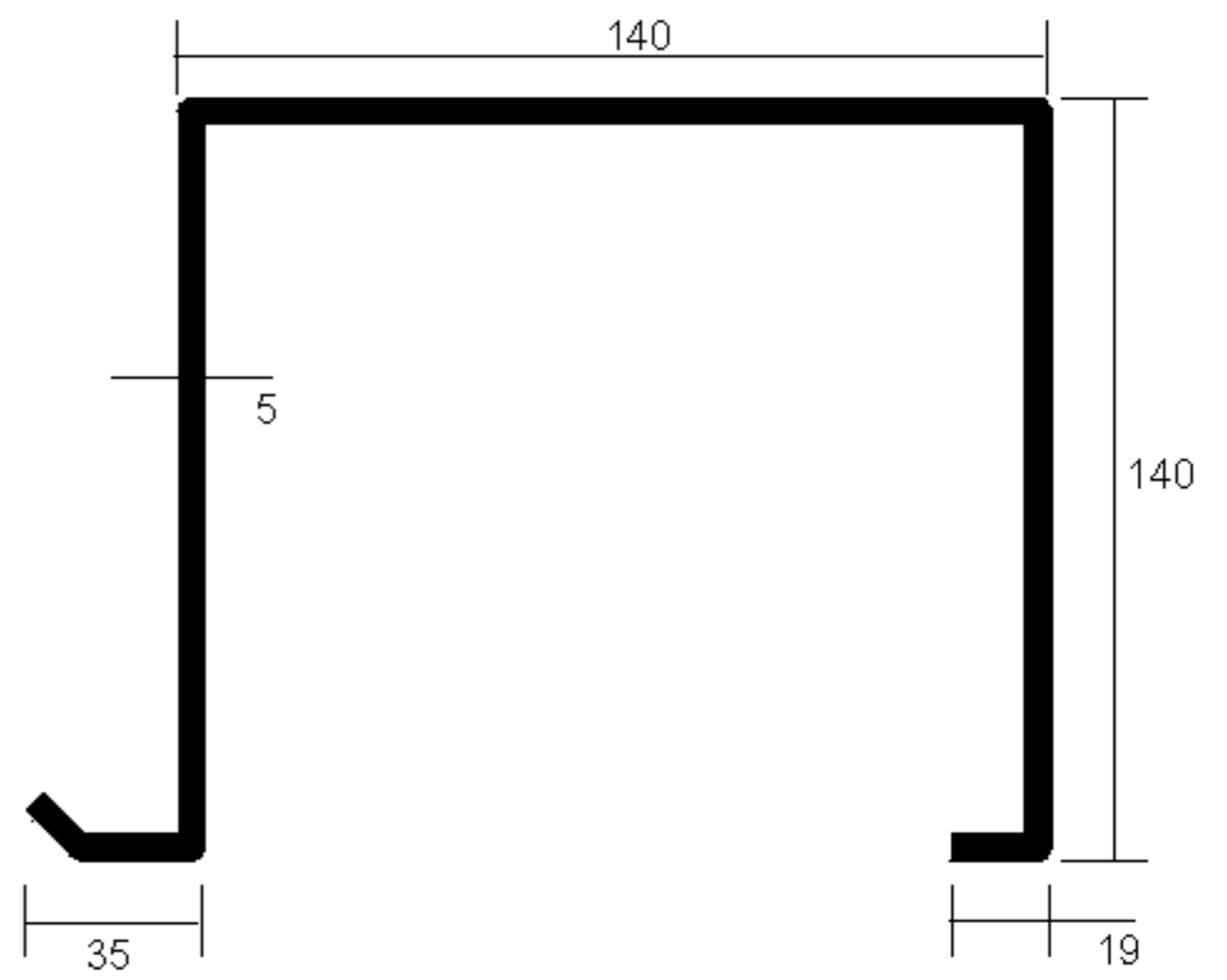
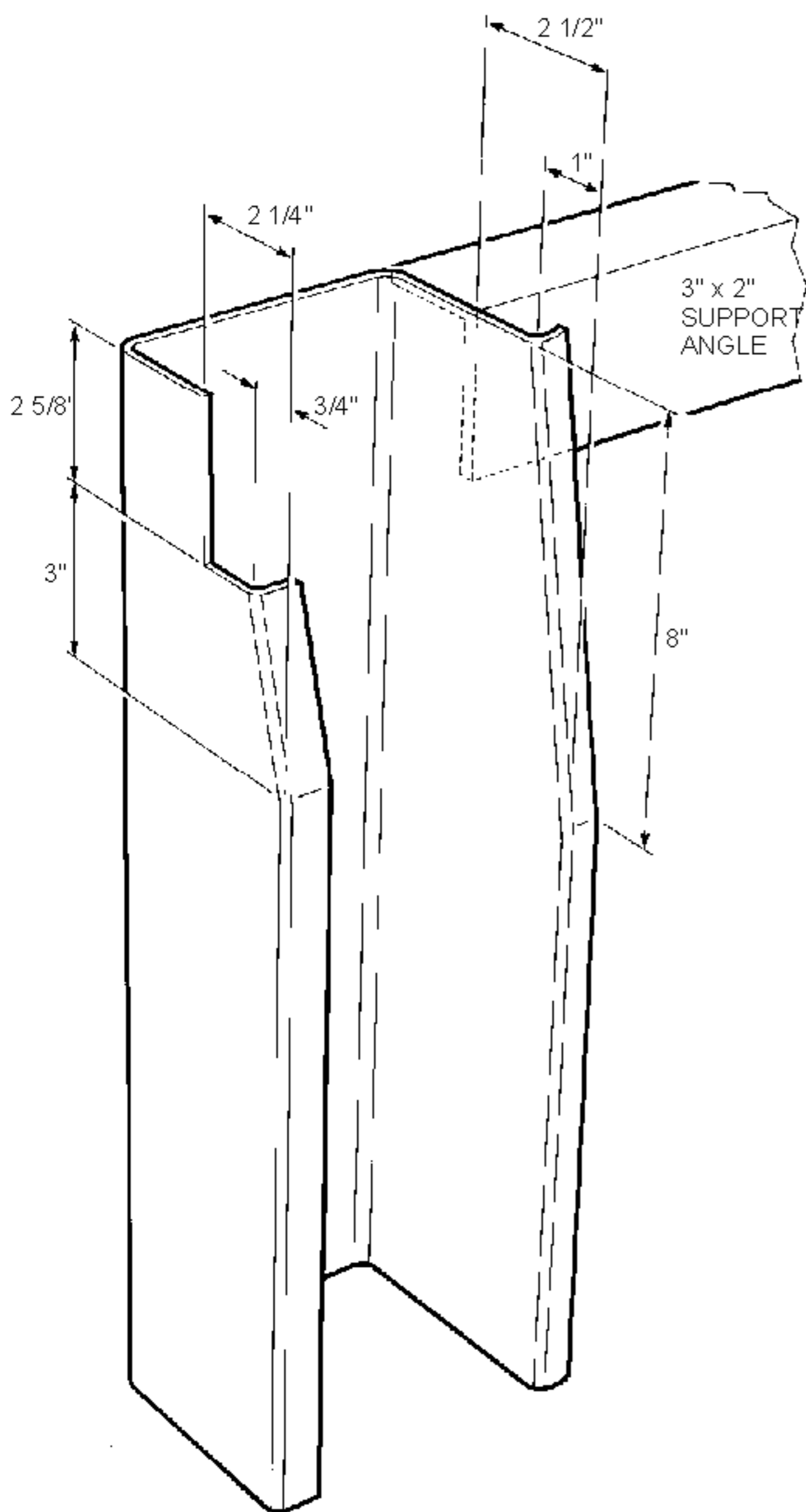
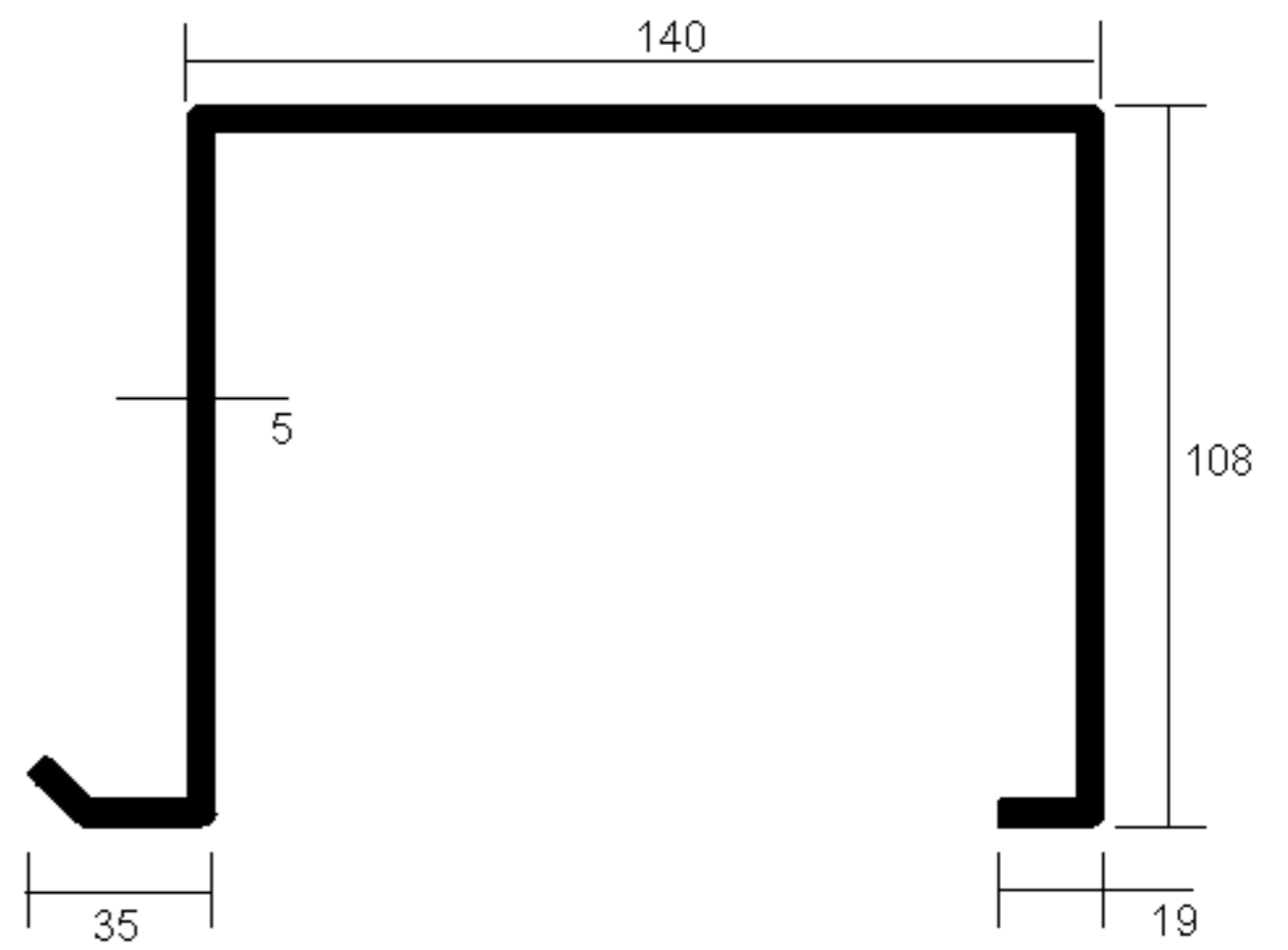
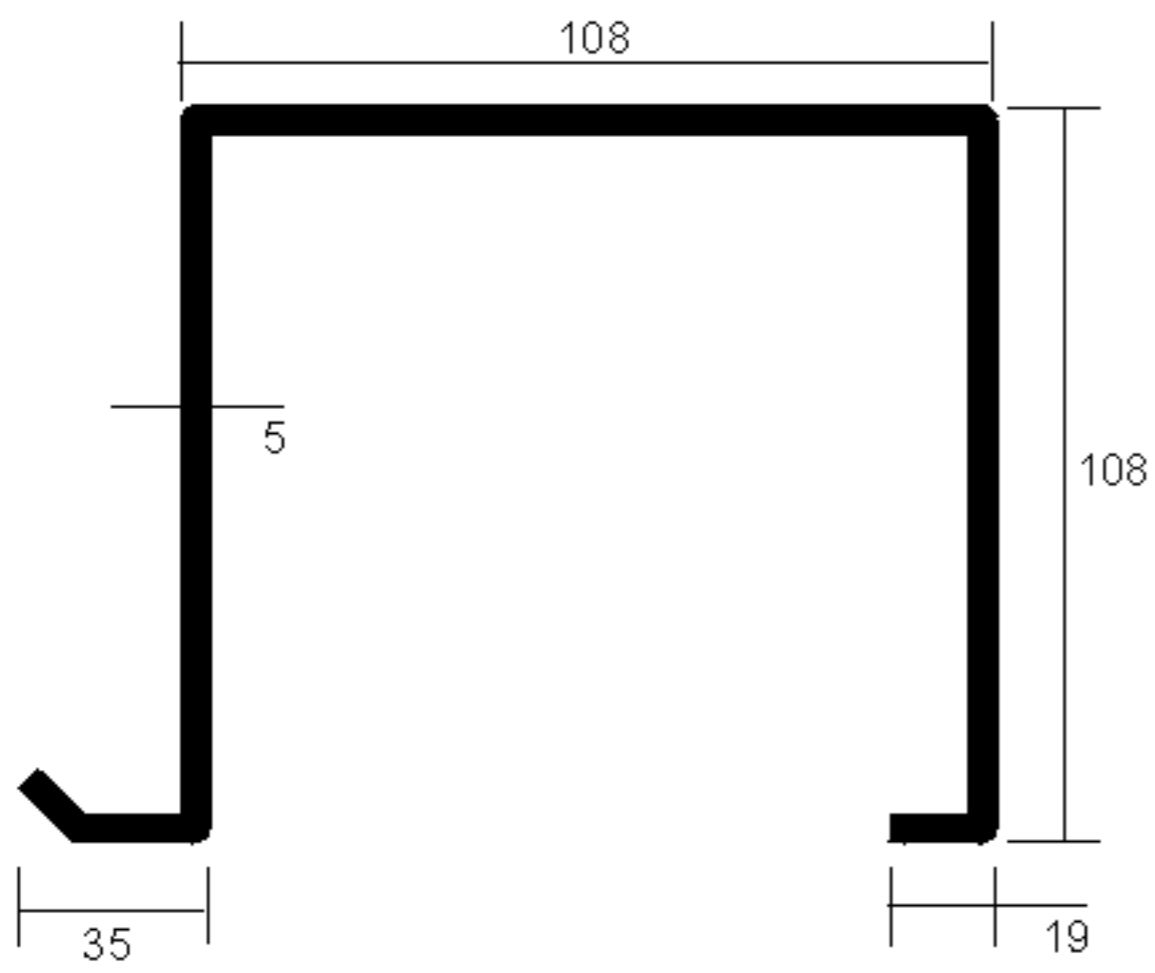


## LIPPED CROSSBEARERS / RUNNERS



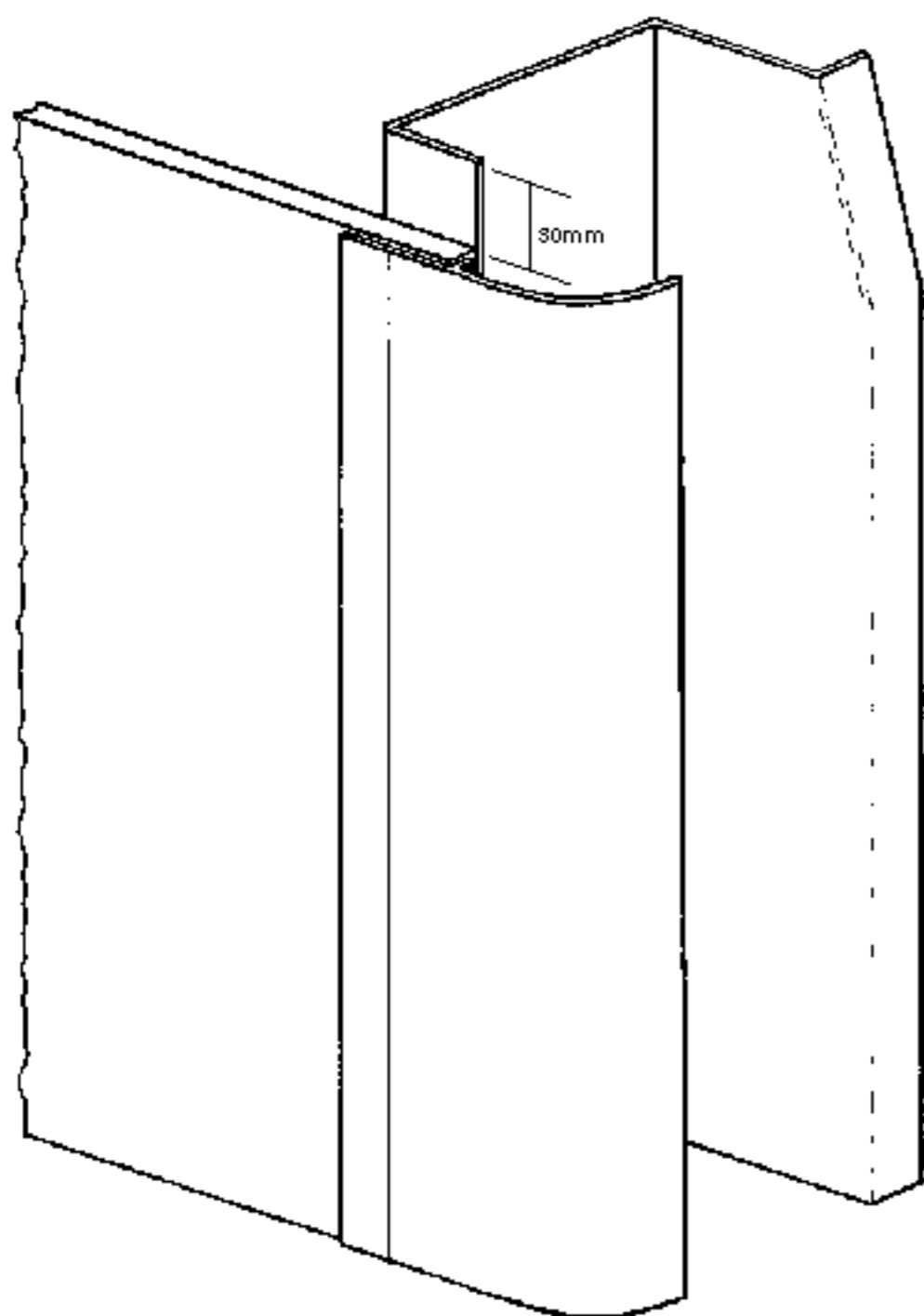
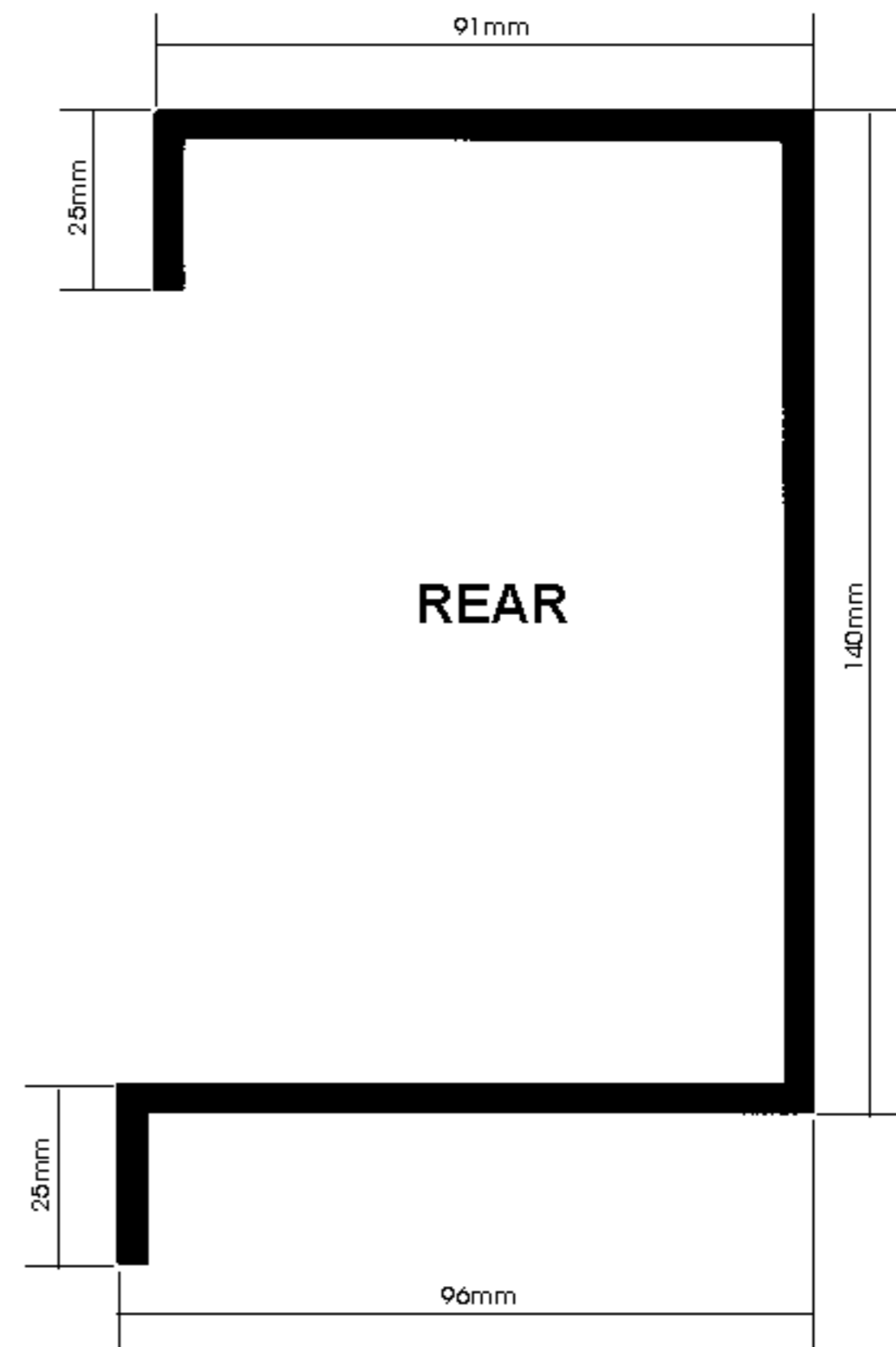
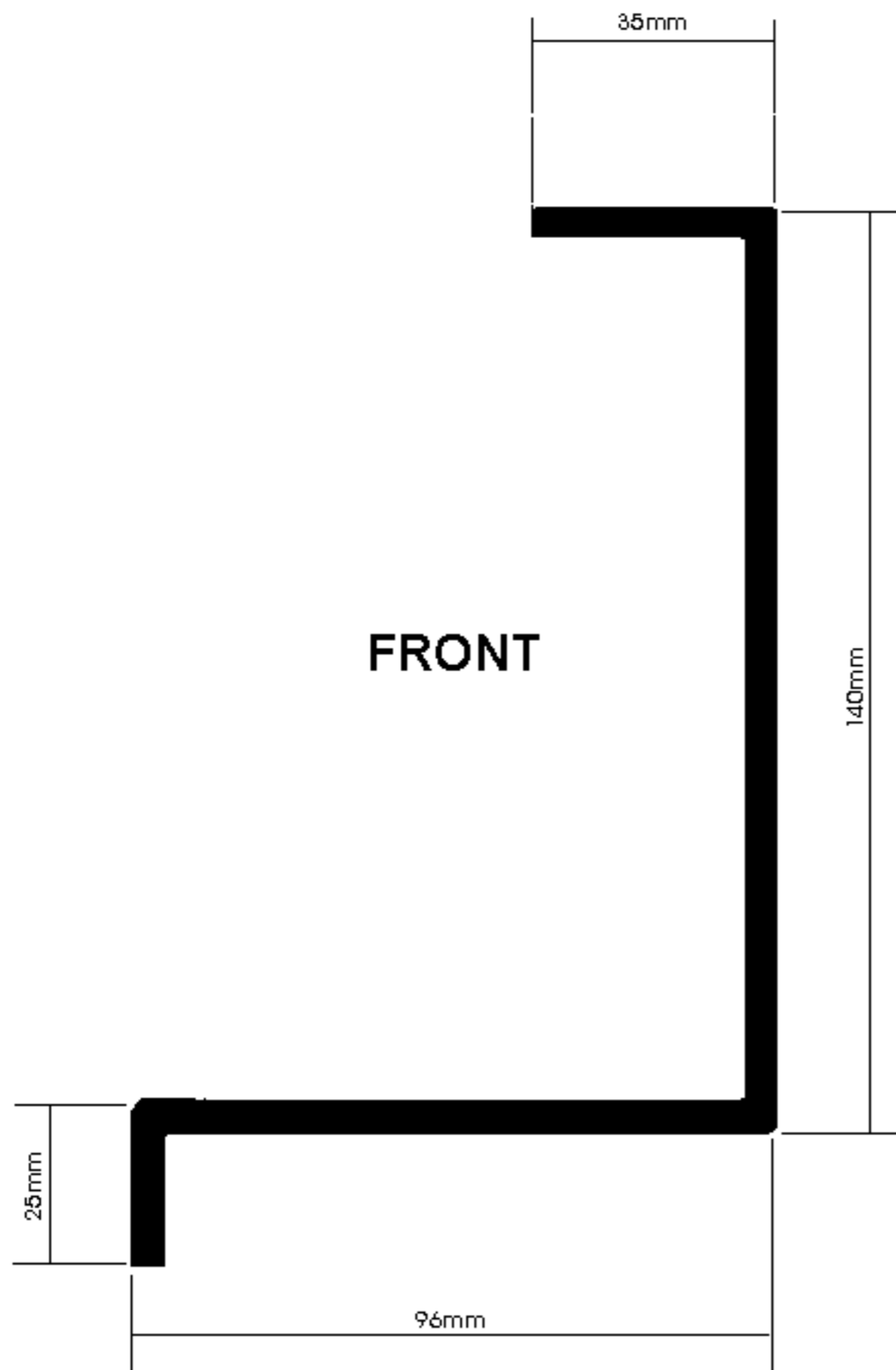
# STEEL SECTIONS - CURTAINSIDERS

## CURTAIN PILLARS

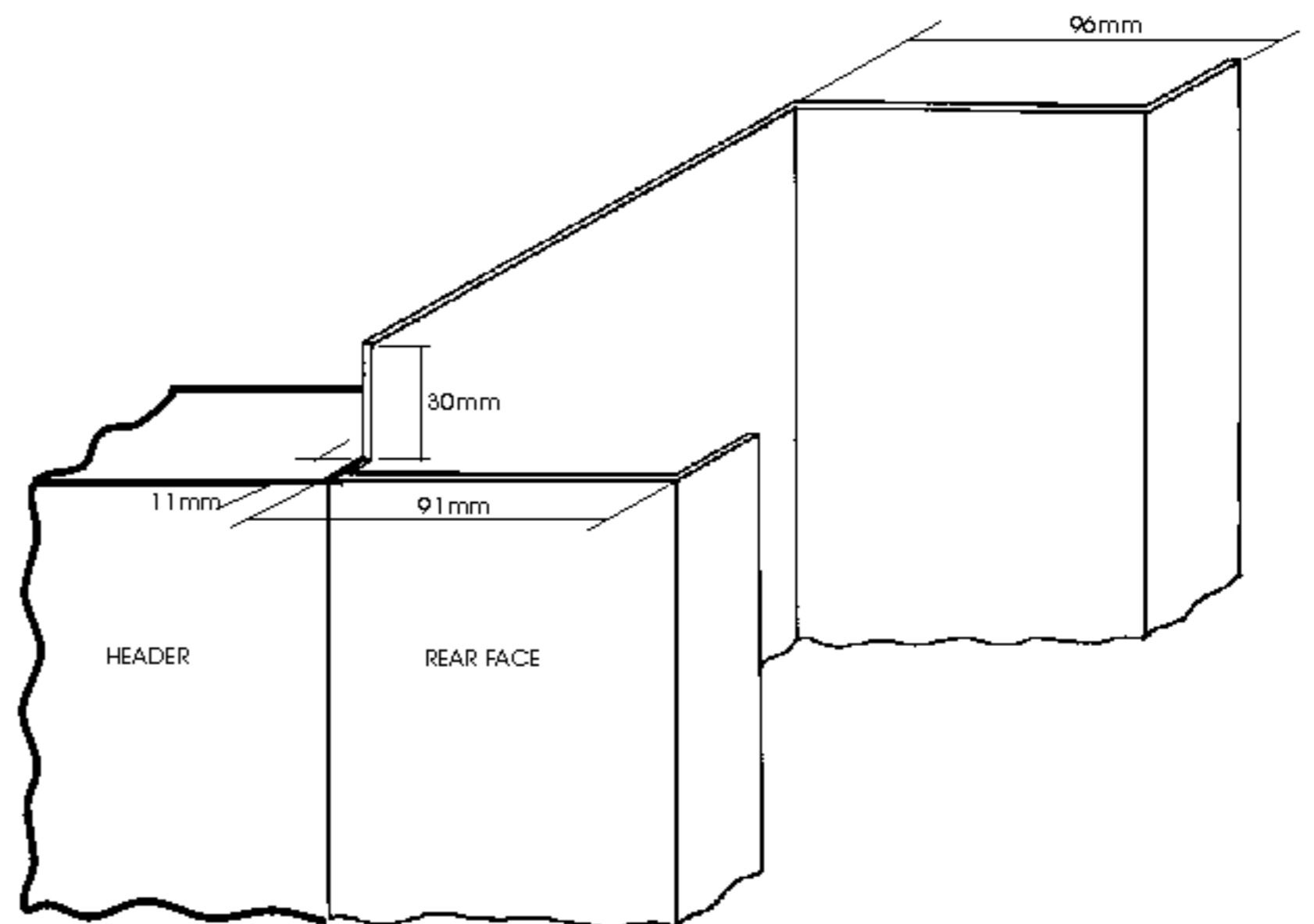


# STEEL SECTIONS - CURTAINSIDERS

## STREAMLINK CURTAIN PILLARS



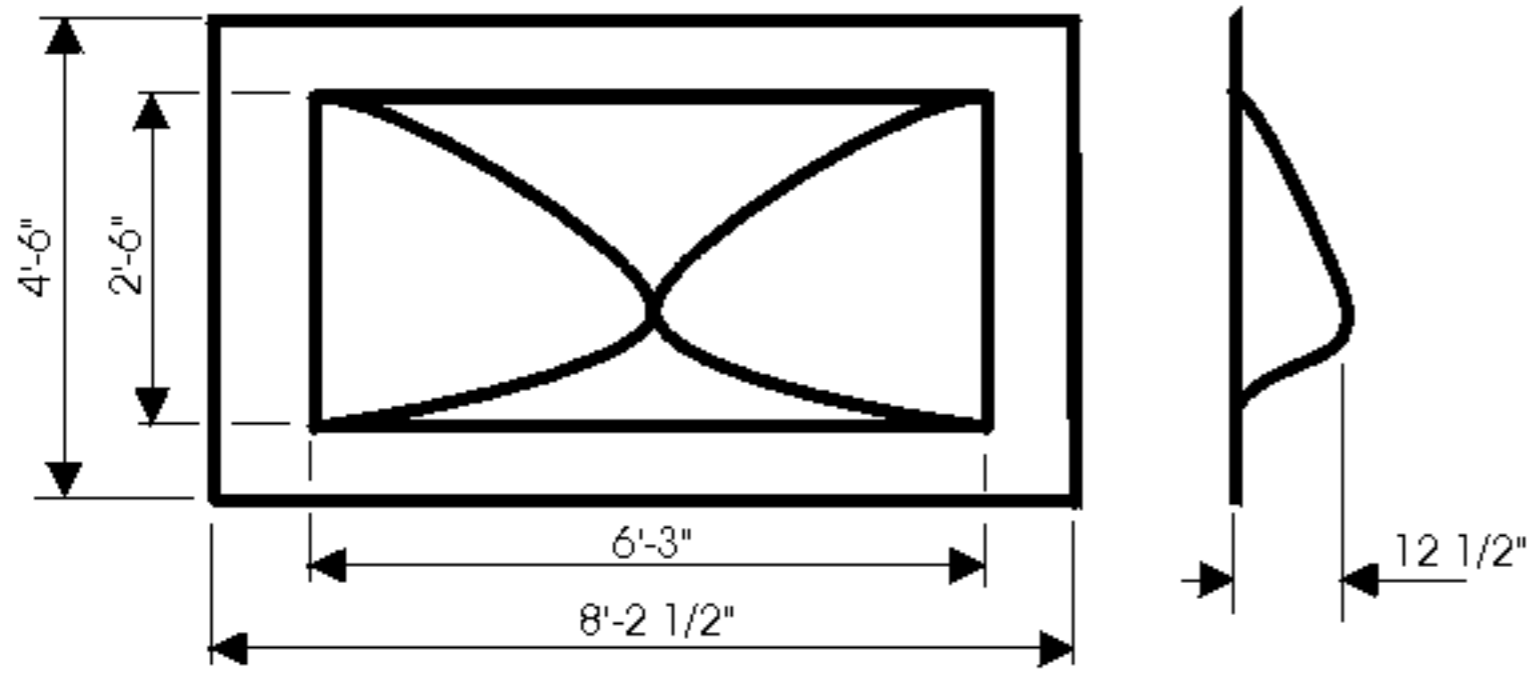
Streamlink System Curtainsider front corner pillar assembly.



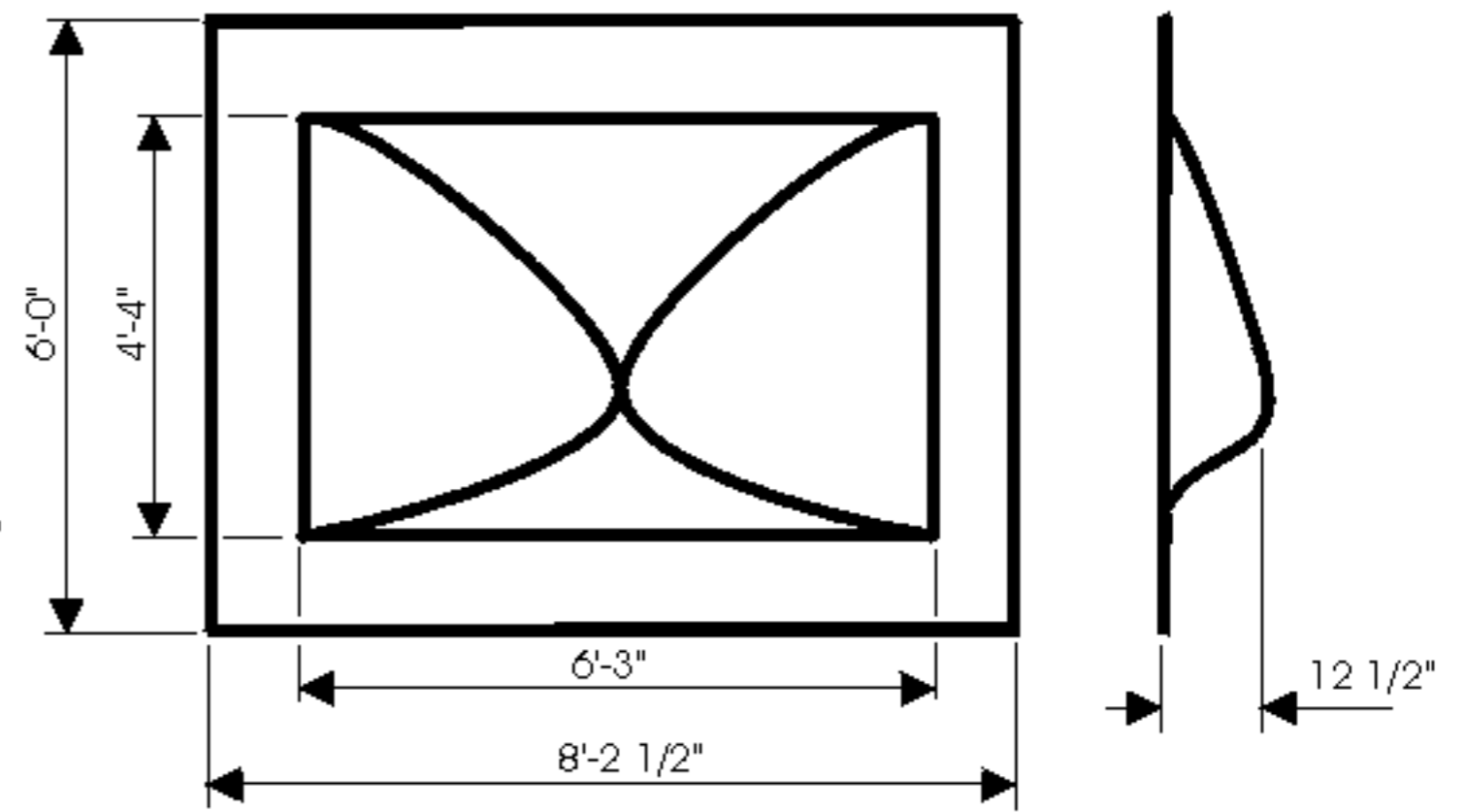
Streamlink System Curtainsider rear corner pillar showing cutout for rear cantrail.

# MOULDED GRP DEFLECTORS

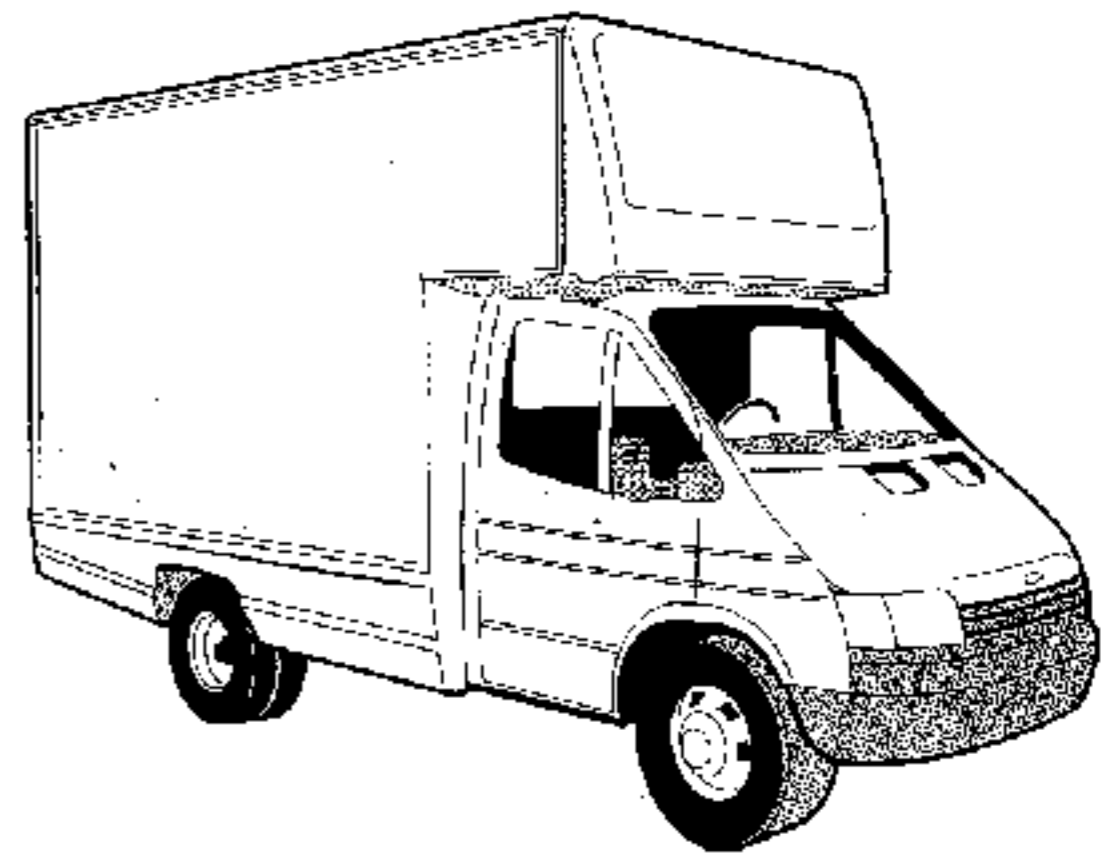
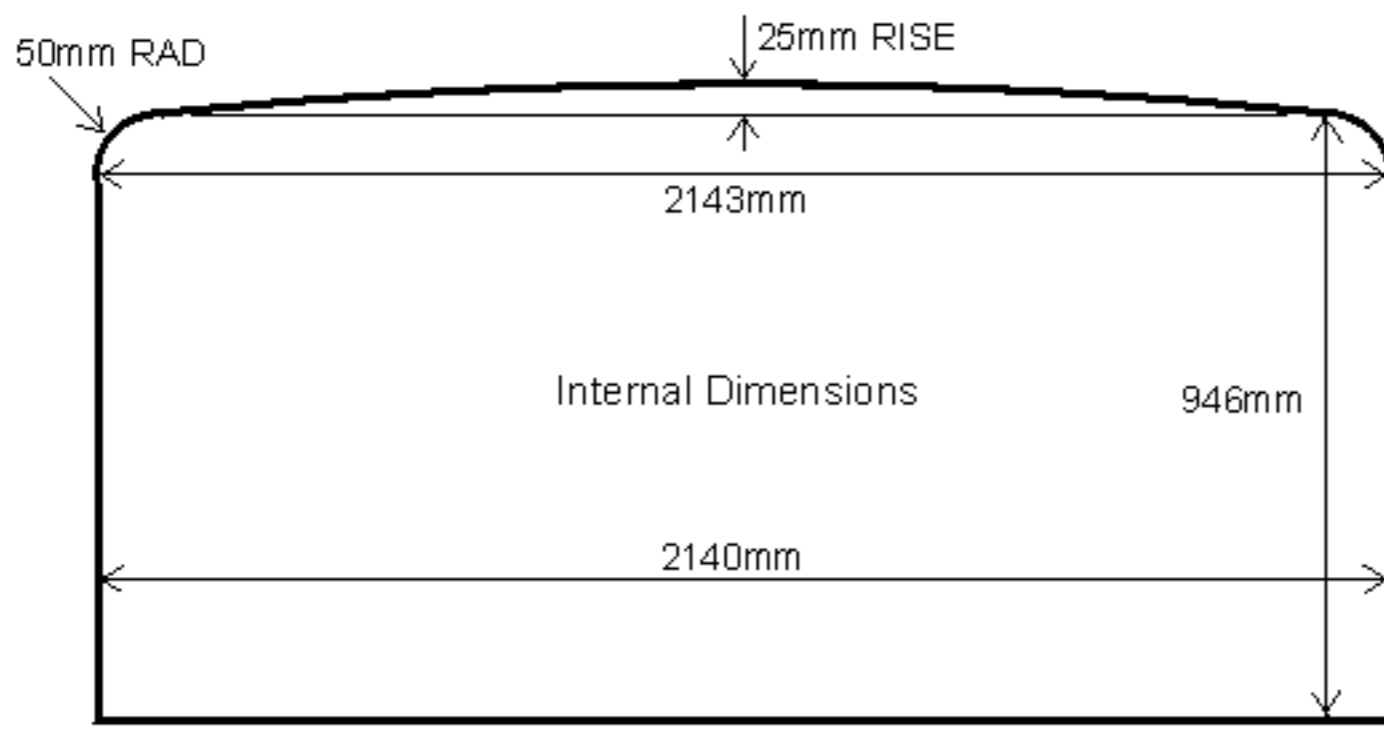
**SMALL WIND DEFLECTOR**



**LARGE WIND DEFLECTOR**



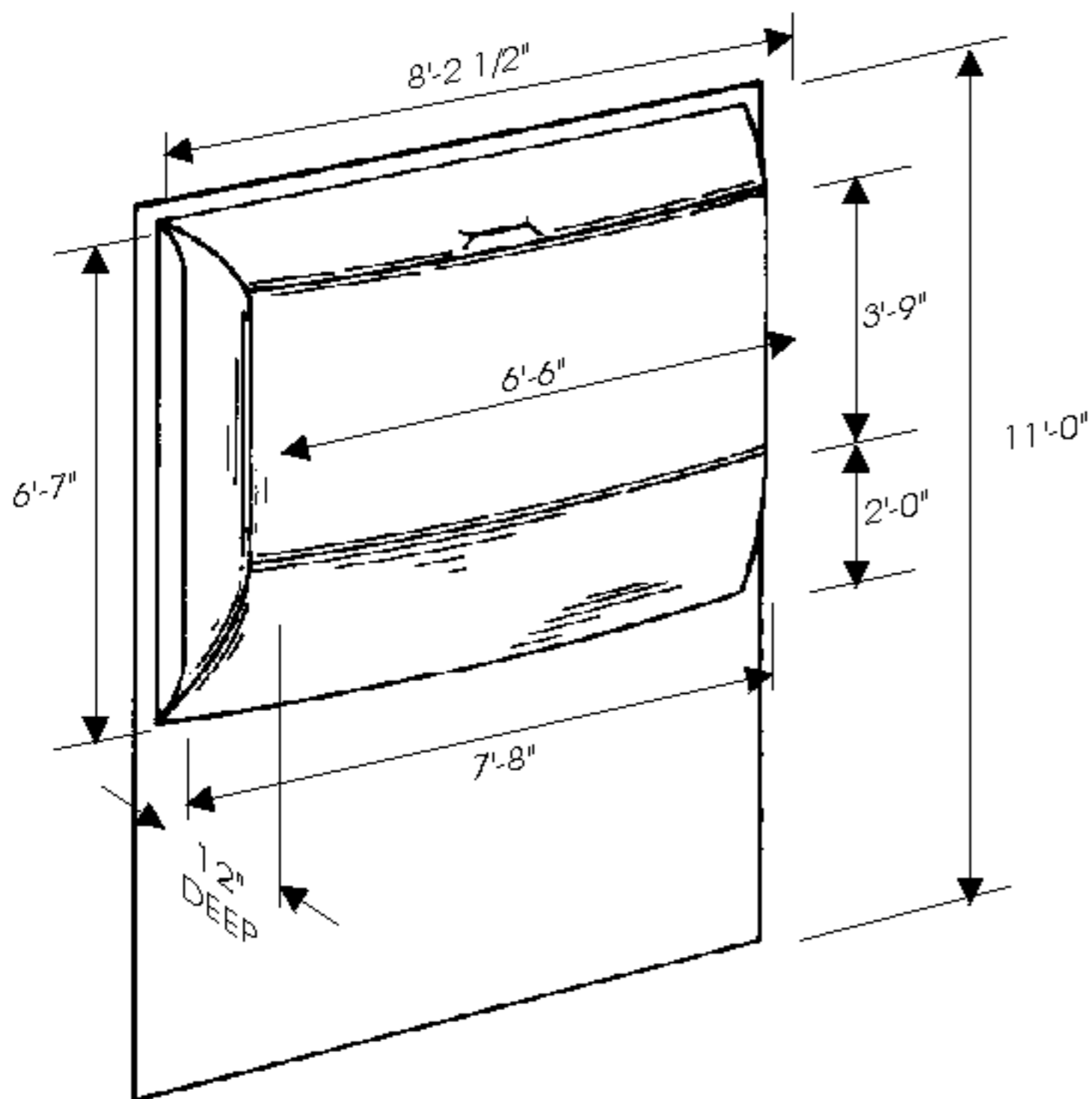
**RADIUS LUTON DEFLECTOR**



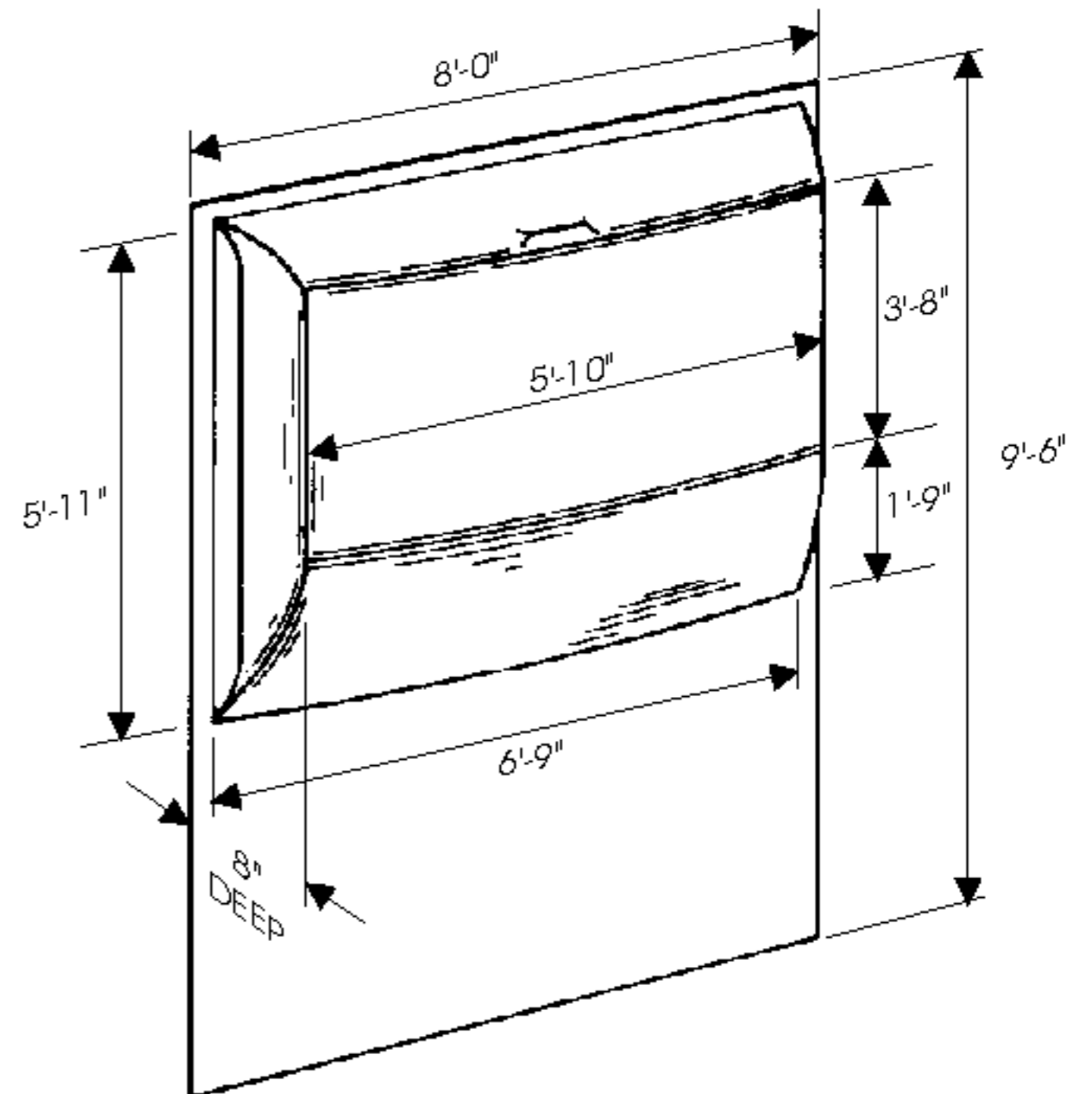
Main Protrusion 267mm

**TRAILER DEFLECTOR MK 1**

BRITISH REGISTERED DESIGN NO. 1025602



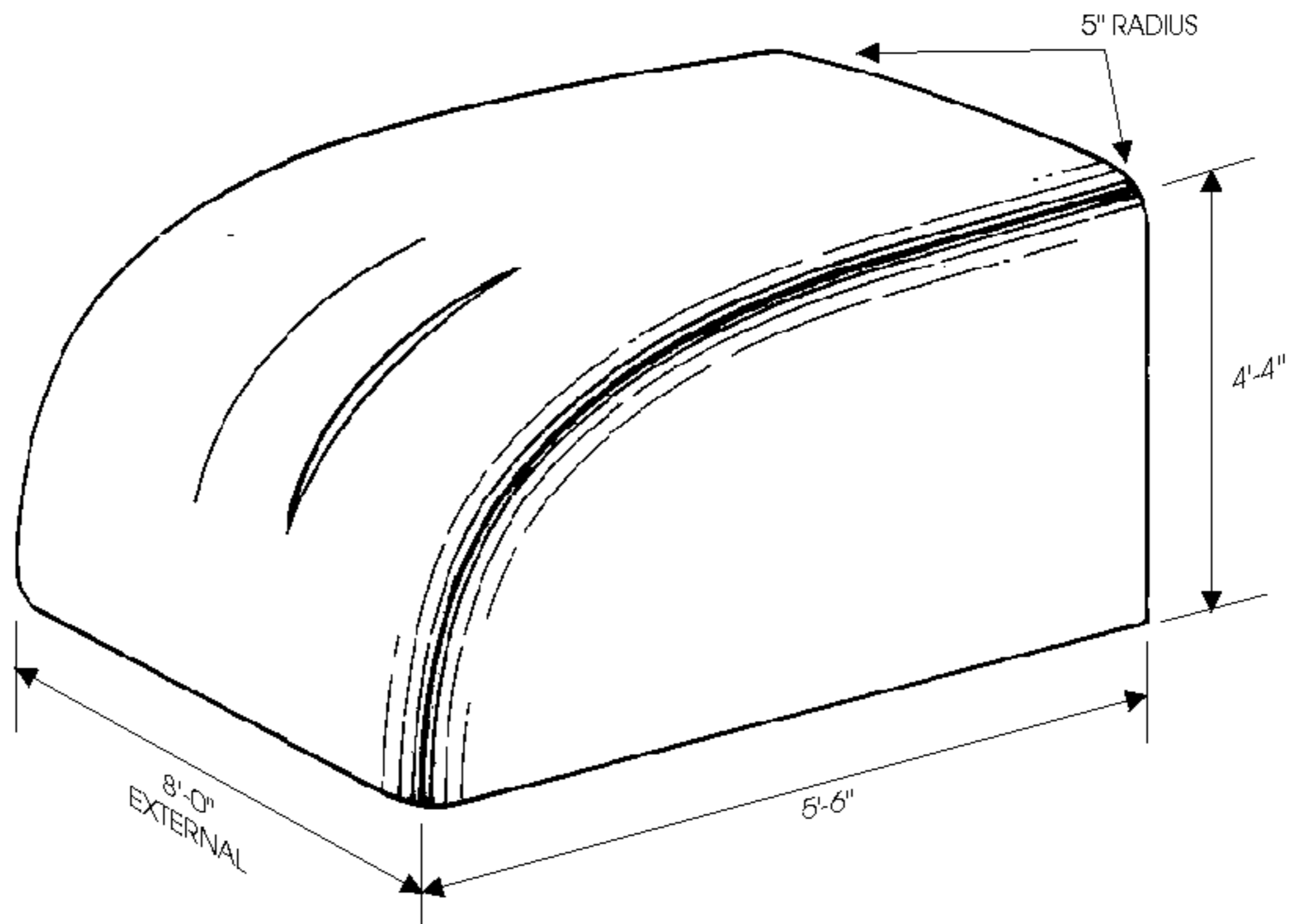
**TRAILER DEFLECTOR MK 2**



# MOULDED GRP DEFLECTORS

## HORSEBOX LUTON FRONT

WHITE PIGMENTED MOULDED GRP 4oz LAYUP





Moss Bridge Road, Rochdale OL16 5PQ

Tel. 01706 356800 Fax. 01706 861323

Web. [www.cvr-uk.com](http://www.cvr-uk.com)